



Chipsmall Limited consists of a professional team with an average of over 10 year of expertise in the distribution of electronic components. Based in Hongkong, we have already established firm and mutual-benefit business relationships with customers from,Europe,America and south Asia,supplying obsolete and hard-to-find components to meet their specific needs.

With the principle of “Quality Parts,Customers Priority,Honest Operation,and Considerate Service”,our business mainly focus on the distribution of electronic components. Line cards we deal with include Microchip,ALPS,ROHM,Xilinx,Pulse,ON,Everlight and Freescale. Main products comprise IC,Modules,Potentiometer,IC Socket,Relay,Connector.Our parts cover such applications as commercial,industrial, and automotives areas.

We are looking forward to setting up business relationship with you and hope to provide you with the best service and solution. Let us make a better world for our industry!



Contact us

Tel: +86-755-8981 8866 Fax: +86-755-8427 6832

Email & Skype: info@chipsmall.com Web: www.chipsmall.com

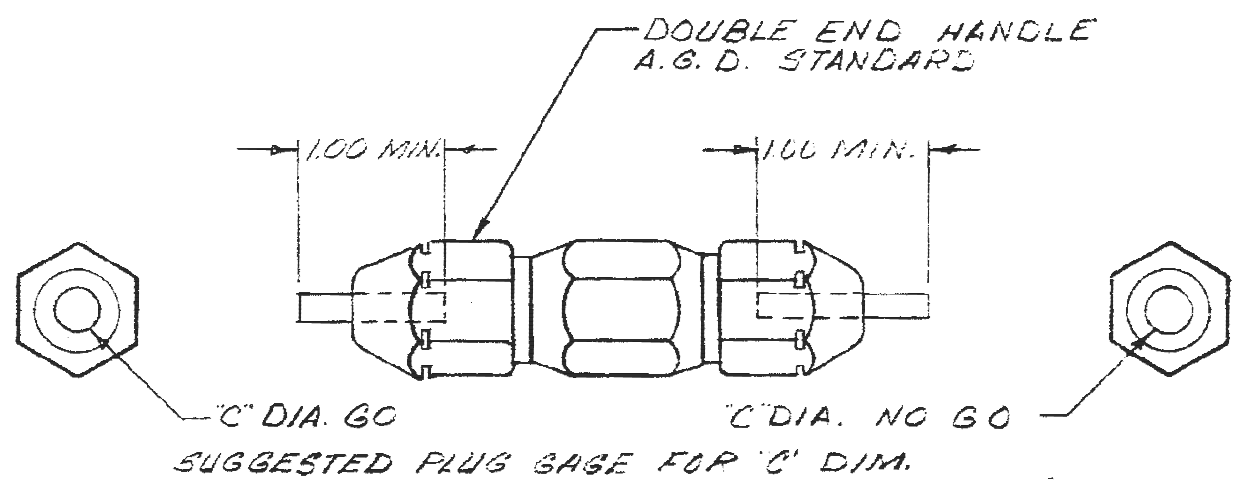
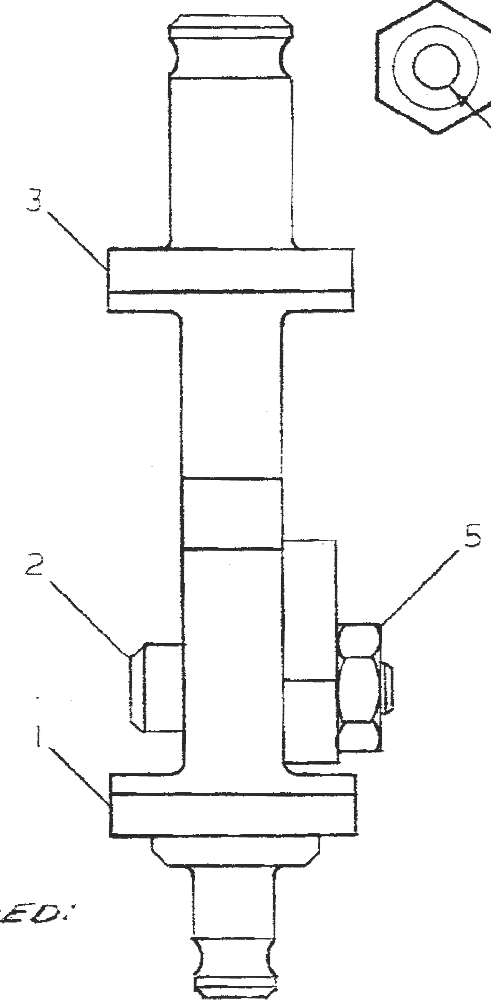
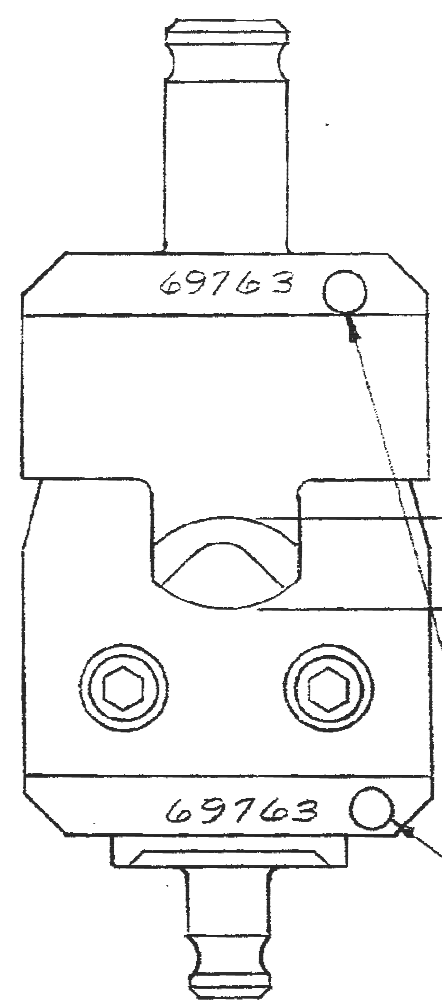
Address: A1208, Overseas Decoration Building, #122 Zhenhua RD., Futian, Shenzhen, China



THIS DRAWING IS UNPUBLISHED. RELEASED FOR PUBLICATION
 © COPYRIGHT BY TYCO ELECTRONICS CORPORATION. ALL INTERNATIONAL RIGHTS RESERVED.

LOC	DIST	REVISIONS			
P	LTR	DESCRIPTION	DATE	DWN	APVD
A	00	B1	ECR-11-003839	2-2011	MY MH

PART NUMBER	REV	FIRST USED
69763	B	59974-1



"C" DIM	
GO	NO GO
.2730-.2733 [6.934-6.942mm]	.2829-.2830 [7.185-7.188mm]

QTY REQD	U/M	PART NO	DESCRIPTION	ITEM NO
2	-	21028-6	NUT, 8-32	5
1	-	45997-4	STOP	4
1	-	307336-1	ANVIL	3
2	-	2-21000-8	SCREW, 8-32UNC X .68 LG	2
1	-	307337-1	INDENTER	-1

COLOR CODED:
RED

THIS DRAWING IS A CONTROLLED DOCUMENT.

DIMENSIONS: INCHES	TOLERANCES UNLESS OTHERWISE SPECIFIED: 0 PLC ± - 1 PLC ± - 2 PLC ± - 3 PLC ± - 4 PLC ± - ANGLES ± -	DWN M.YOUNGER 20JUL2009 CHK M.HOUSER APVD M.HOUSER PRODUCT SPEC APPLICATION SPEC WEIGHT -	Tyco Electronics Corporation Harrisburg, PA 17105-3608 DIE ASSEMBLY
MATERIAL -	FINISH -	SIZE A3 CAGE CODE 00779 DRAWING NO C=69763	RESTRICTED TO -

CUSTOMER DRAWING SCALE NTS SHEET 1 OF 1 REV B1