



Chipsmall Limited consists of a professional team with an average of over 10 year of expertise in the distribution of electronic components. Based in Hongkong, we have already established firm and mutual-benefit business relationships with customers from,Europe,America and south Asia,supplying obsolete and hard-to-find components to meet their specific needs.

With the principle of “Quality Parts,Customers Priority,Honest Operation,and Considerate Service”,our business mainly focus on the distribution of electronic components. Line cards we deal with include Microchip,ALPS,ROHM,Xilinx,Pulse,ON,Everlight and Freescale. Main products comprise IC,Modules,Potentiometer,IC Socket,Relay,Connector.Our parts cover such applications as commercial,industrial, and automotives areas.

We are looking forward to setting up business relationship with you and hope to provide you with the best service and solution. Let us make a better world for our industry!



## Contact us

Tel: +86-755-8981 8866 Fax: +86-755-8427 6832

Email & Skype: info@chipsmall.com Web: www.chipsmall.com

Address: A1208, Overseas Decoration Building, #122 Zhenhua RD., Futian, Shenzhen, China





Copyright FCI.

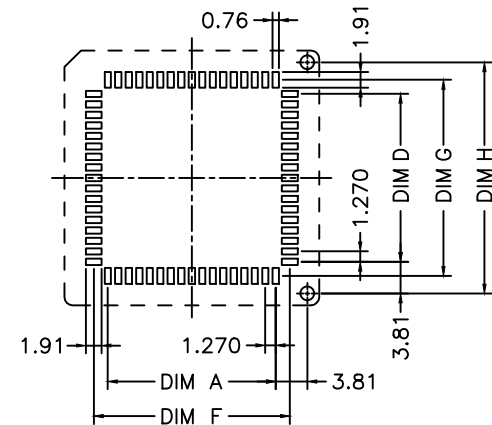
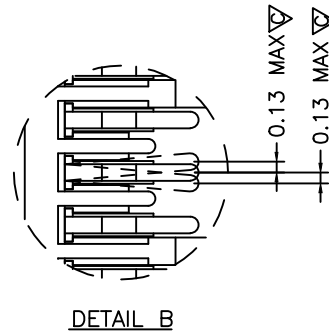
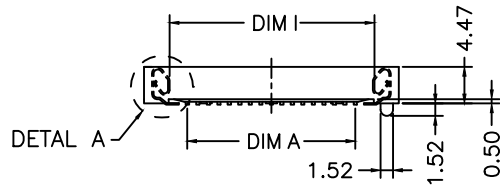
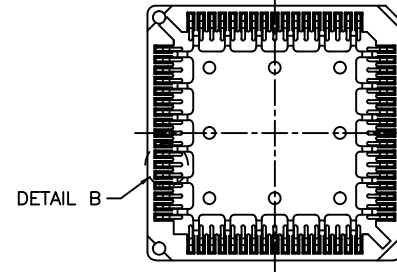
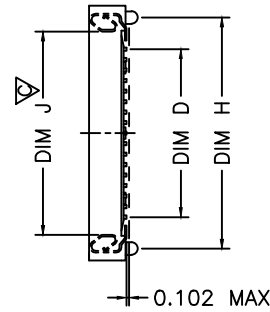
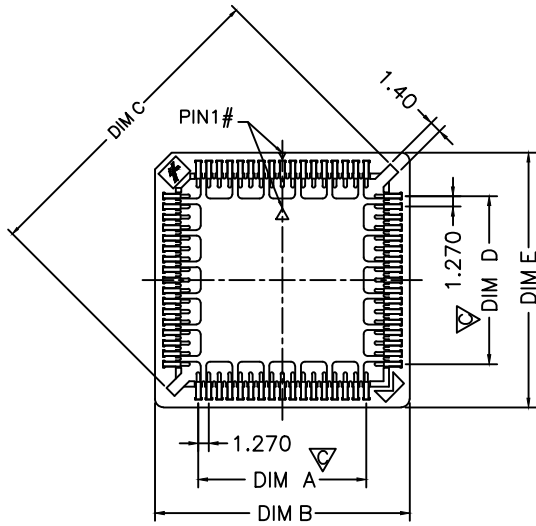
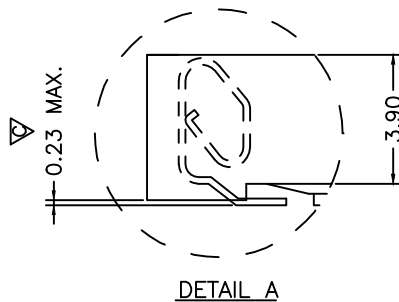


FIG. 1



NOTE: DIMENSIONAL MARK  $\nabla$  TO BE CHECKED BY OQC.

rev	ecn no	dr	date
AG	ELX-1-20939	SAL	5/21/15
-	-	-	-
AB	T05-0017	JH	1/24/05
AC	T05-0114	JH	5/9/05
AD	T05-0212	JH	9/21/05
AE	T06-0070	JH	5/8/06
AF	T11-0002	JH	1/11/11

www.fciconnect.com		surface <input checked="" type="checkbox"/>	tolerance std	projection	MM	
TOLERANCES UNLESS OTHERWISE SPECIFIED						
Dr	Jason Hsu	1/11/11	ANGULAR	0.X	± 0.25	
Eng	Jason Hsu	1/11/11	LINEAR	0.XX	± 0.15	
Chr	S Alosius	5/21/15	0°	0.XXX	± 0.10	
Appr	Biju K Paul	5/21/15	Product family		ECN ELX-1-20939	
title PLCC SMT Socket					size A4	Scale N/A
catalog no					69802	Rev. AG
CUSTOMER					sheet 1 of 5	

1

2

3

4

A

A

TABLE I

NO. OF CONTACTS	DIM. A ±0.20	DIM. B ±0.20	DIM. C ±0.20	DIM. D ±0.20	DIM. E MAX.	DIM. F ±0.10	DIM. G ±0.10	DIM. H ±0.20	DIM. I ±0.20	DIM. J ±0.20
32	7.62	17.78	22.50	10.16	20.32	11.02	13.56	17.78	11.94	14.48
44	12.70	22.86	27.50	12.70	22.86	16.10	16.10	20.32	17.02	

B

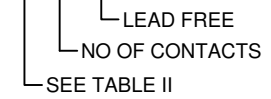
B

TABLE II

PART NO.	WITH POLARIZING PEGS	PACKAGING BY PVC TUBE	PACKAGING BY TAPE & REEL	MCK PART NO.
69802-0XXLF	✓	✓		PLCC-XXP-T-SMT-P-LF
69802-1XXLF		✓		PLCC-XXP-T-SMT-LF
69802-4XXLF			✓	PLCC-XXP-T-SMT-TR-LF

NOTE:

ORDERING DATA: 69802 - X XX LF



C

C

Copyright FCI.

D

D

www.fciconnect.com		surface - ✓	tolerance std	projection	MM
		TOLERANCES UNLESS OTHERWISE SPECIFIED			
Dr	Jason Hsu	1/11/11	ANGULAR	0.X	± 0.25
Eng	Jason Hsu	1/11/11	LINEAR	0.XX	± 0.15
Chr	S Alosius	5/21/15	0° ±5°	0.XXX	± 0.10
Appr	BiJu K Paul	5/21/15	Product family	ECN	ELX-1-20939
title		PLCC SMT Socket		dwg no	69802
catalog no		-		CUSTOMER	sheet 2 of 5
				Rev.	AG

REV F - 2005-04-12

1

2

3

4

NOTES:

1. MATERIAL:

1-1 HOUSING : PPS GB8411,UL94V-0 COLOR IN BROWN.  
 PLATING : 150u" LEAD FREE TIN MIN. OVER 40u" NICKEL MIN.  
 CONTACT : PHOSPHOR BRONZE C5212RH.

2. THE "FCI" LOGO IS LOCATED AS SHOWN.

3. RECOMMEND PCB LAYOUT IS SHOWN IN FIG.1.

4. COPLANARITY REQUIREMENT;

A. CONTACT MUST BE BELOW HOUSING BOTTOM SURFACE WITHIN 0.23MM.  
 B. CONTACT SEATING LINE MUST BE WITHIN 0.102MM.

5. THE POSITION OF PIN#1 IN THE CENTER PAD IS AS SHOWN.

6. THE PACKAGING INFORMATION SHOWS ON SHEET 4 &5.

7. PRODUCT SPECIFICATION; GES-12-158.

8. MANUFACTURING PROCESS COMPATIBILITY: THE HOUSING WILL WITHSTAND EXPOSURE TO 245°C PEAK TEMPERATURE FOR 5 SECOND IN A IR REFLOW APPLICATION.



Copyright FCI.

www.fciconnect.com		surface - ✓	tolerance std	projection	MM
		TOLERANCES UNLESS OTHERWISE SPECIFIED			
Dr	Jason Hsu	1/11/11	ANGULAR	0.X	± 0.25
Eng	Jason Hsu	1/11/11	LINEAR	0.XX	± 0.15
Chr	S Alosius	5/21/15	0° ±5°	0.XXX	± 0.10
Appr	Biju K Paul	5/21/15	Product family	ECN	ELX-1-20939
		title PLCC SMT Socket		dwg no	69802
		catalog no		-	CUSTOMER
				Rev.	AG
				sheet 3 of 5	



1

2

3

4

A

A

B

B

C

C

D

D

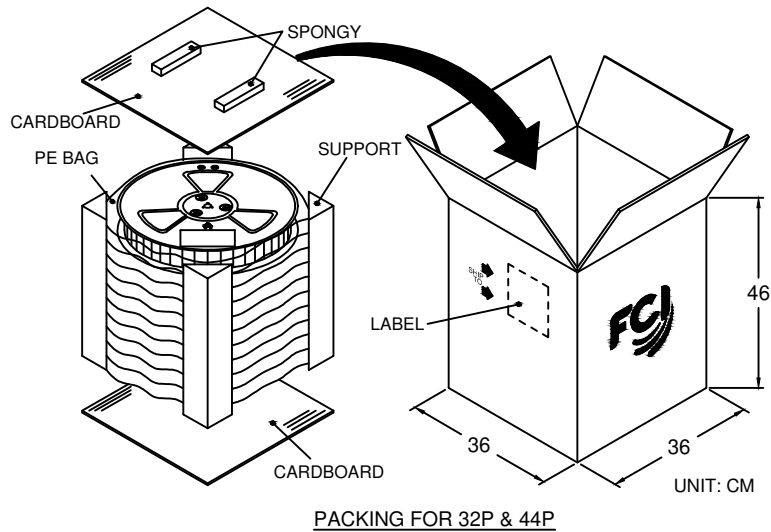
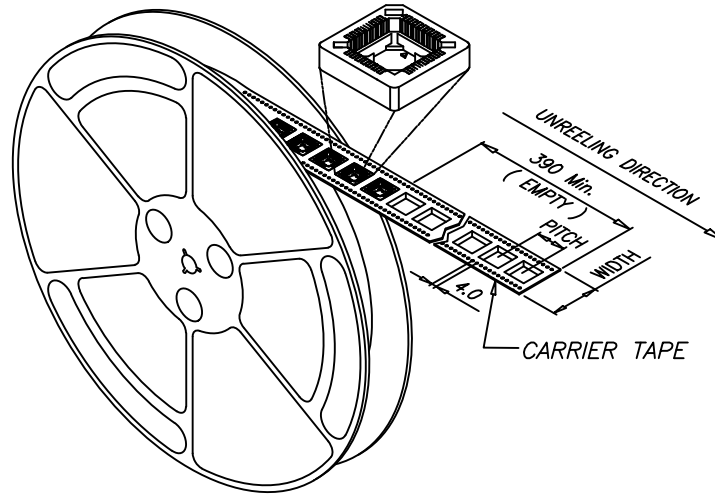


TABLE III

NO. OF PIN.	WIDTH	PITCH	PCS/REEL	REEL/CARTON	TOTAL (PCS)
32P	32.0	24.00	390	10	3900
44P	44.0	32.00	250	8	2000

\*REEL DIAMETER:  $\varnothing$ 13 in"



Copyright FCI.

www.fciconnect.com		surface - <input checked="" type="checkbox"/>	tolerance std	projection	MM
		TOLERANCES UNLESS OTHERWISE SPECIFIED		$\oplus$ $\ominus$	← →
Dr	Jason Hsu	1/11/11	ANGULAR	0.X	± 0.25
Eng	Jason Hsu	1/11/11	LINEAR	0.XX	± 0.15
Chr	S Alosius	5/21/15	0° ± 5°	0.XXX	± 0.10
Appr	BiJu K Paul	5/21/15	Product family	ECN	ELX-1-20939
title				PLCC SMT Socket	69802
catalog no				-	CUSTOMER
				Rev.	AG
				sheet 4 of 5	

REV F - 2005-04-07

1

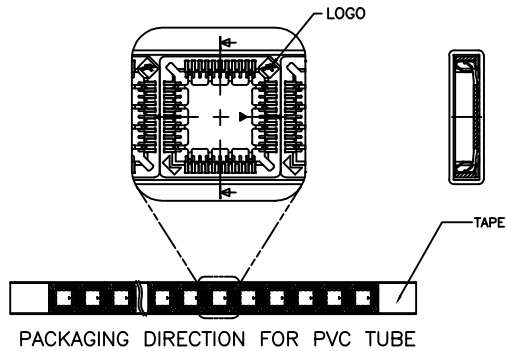
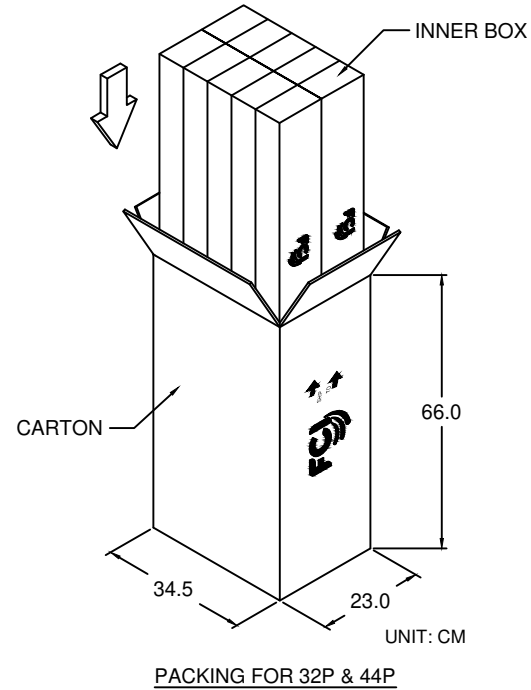
2

3

4

TABLE IV

A / P PART NO.	69802-X32X	69802-X44X
DESCRIPTION	32P	44P
PCS / TUBE	28	25
PCS / INNER BOX	728	500
INNER BOX / CARTON ( WITH SOCKET )	10	10
INNER BOX / CARTON ( W / O SOCKET )	0	0
TOTAL (PCS)	7280	5000
N.W.	10.0 KG	8.5 KG
G.W.	18.0 KG	17.0 KG



Copyright FCI.

www.fciconnect.com		surface - <input checked="" type="checkbox"/>	tolerance std	projection	MM
TOLERANCES UNLESS OTHERWISE SPECIFIED					
Dr	Jason Hsu	1/11/11	ANGULAR	0.X	± 0.25
Eng	Jason Hsu	1/11/11	LINEAR	0.XX	± 0.15
Chr	S Alosius	5/21/15	0° ±5°	0.XXX	± 0.10
Appr	Biju K Paul	5/21/15	Product family	ECN	ELX-1-20939
title PLCC SMT Socket				dwg no	69802
catalog no -				CUSTOMER	sheet 5 of 5
				Rev.	AG