



Chipsmall Limited consists of a professional team with an average of over 10 year of expertise in the distribution of electronic components. Based in Hongkong, we have already established firm and mutual-benefit business relationships with customers from,Europe,America and south Asia,supplying obsolete and hard-to-find components to meet their specific needs.

With the principle of “Quality Parts,Customers Priority,Honest Operation,and Considerate Service”,our business mainly focus on the distribution of electronic components. Line cards we deal with include Microchip,ALPS,ROHM,Xilinx,Pulse,ON,Everlight and Freescale. Main products comprise IC,Modules,Potentiometer,IC Socket,Relay,Connector.Our parts cover such applications as commercial,industrial, and automotives areas.

We are looking forward to setting up business relationship with you and hope to provide you with the best service and solution. Let us make a better world for our industry!



## Contact us

Tel: +86-755-8981 8866 Fax: +86-755-8427 6832

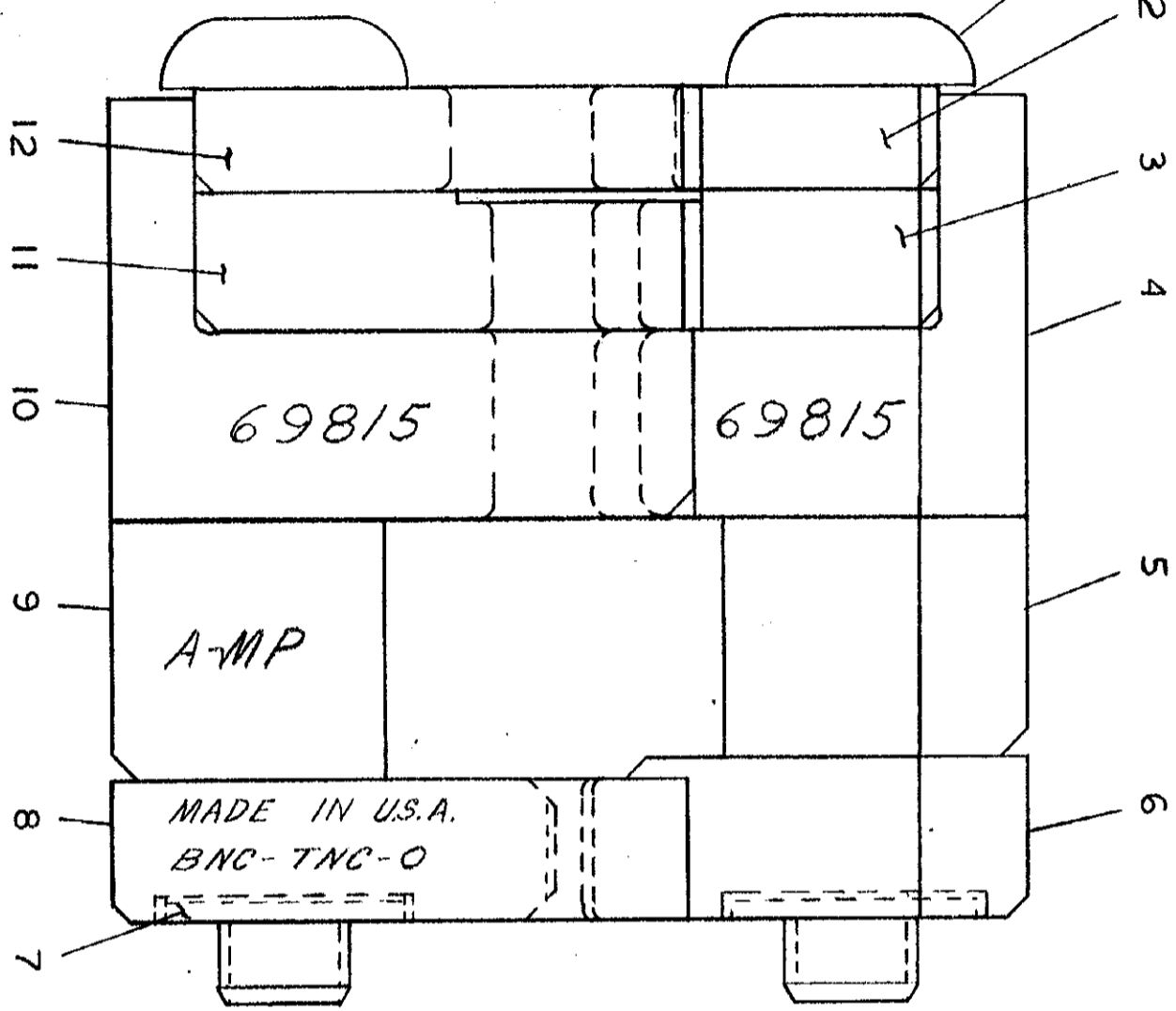
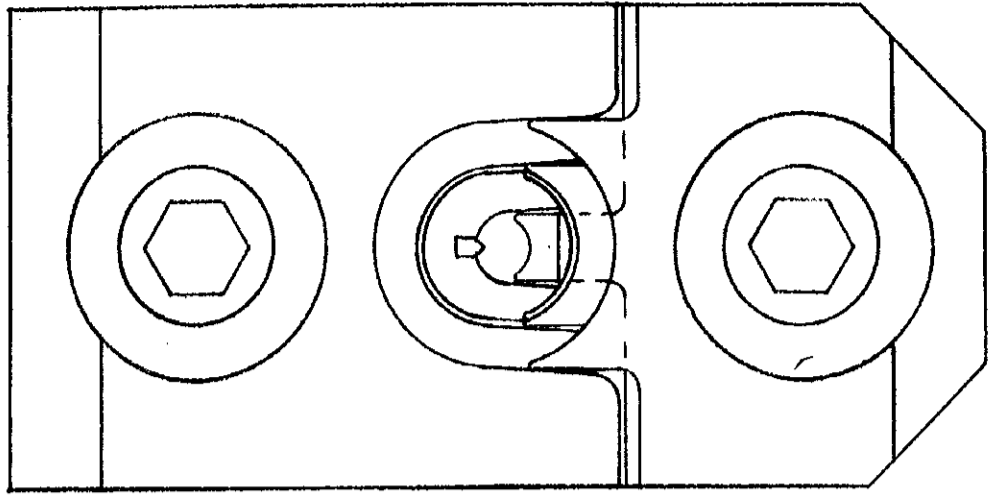
Email & Skype: info@chipsmall.com Web: www.chipsmall.com

Address: A1208, Overseas Decoration Building, #122 Zhenhua RD., Futian, Shenzhen, China



S

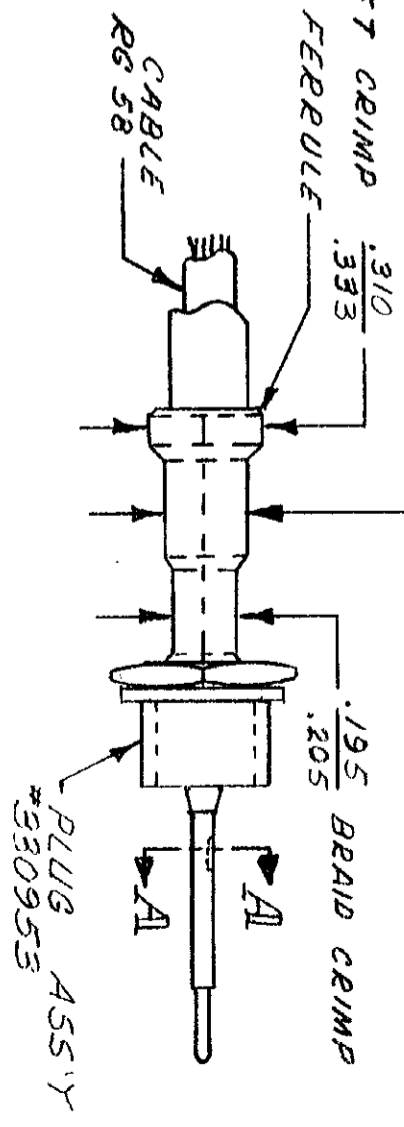
DIMENSIONS IN INCHES. DO NOT SCALE PRINT



"0" CRIMP	
GO	NO GO
.075	.079

INSULATION CRIMP .209  
GASKET CRIMP .310  
FERRULE .333

CENTER CONTACT CRIMP  
SECTION A-A



METHOD OF GAGING CRIMP DIMS.  
THE CRIMP DIMS. APPLY ONLY TO THE ABOVE  
COMBINATIONS ON A CRIMPED PRODUCT.  
SUPERSEDED BY U.S. 2610

ITEM NO	QTY	DESCRIPTION	REMARKS
1/2	1	306328 INDENTER - GASKET	
11	1	306332 INDENTER - INSULATION	
10	1	306330 INDENTER - BRAID	
9	1	6-305832-7 SPACER	
8	1	306949 INDENTER	
7	1	1-21046-3 RING - RETAINING	
6	1	45969-3 ANVIL - BARREL	
5	1	1-59672-4 SPACER - UPPER	
4	1	306331 ANVIL - BRAID	
3	1	306333 ANVIL - INSULATION	
2	1	306329 ANVIL - GASKET	
1	1	6-306131-5 SCREW	

REQUIRED PER ASSEMBLY

DR	CHK	DE	DATE
A. J. ...	A. J. ...	...	...

NAME	SCALE	NO	REV
DIE ASSEMBLY	4-1	B	69815

NUMBER	DESCRIPTION	REVISION RECORD
69815		

PRINT	DIST
B	B

AMP 1253 REV 7/60 8 7 6 5 4 3 2 1