



Chipsmall Limited consists of a professional team with an average of over 10 year of expertise in the distribution of electronic components. Based in Hongkong, we have already established firm and mutual-benefit business relationships with customers from,Europe,America and south Asia,supplying obsolete and hard-to-find components to meet their specific needs.

With the principle of “Quality Parts,Customers Priority,Honest Operation,and Considerate Service”,our business mainly focus on the distribution of electronic components. Line cards we deal with include Microchip,ALPS,ROHM,Xilinx,Pulse,ON,Everlight and Freescale. Main products comprise IC,Modules,Potentiometer,IC Socket,Relay,Connector.Our parts cover such applications as commercial,industrial, and automotives areas.

We are looking forward to setting up business relationship with you and hope to provide you with the best service and solution. Let us make a better world for our industry!



Contact us

Tel: +86-755-8981 8866 Fax: +86-755-8427 6832

Email & Skype: info@chipsmall.com Web: www.chipsmall.com

Address: A1208, Overseas Decoration Building, #122 Zhenhua RD., Futian, Shenzhen, China



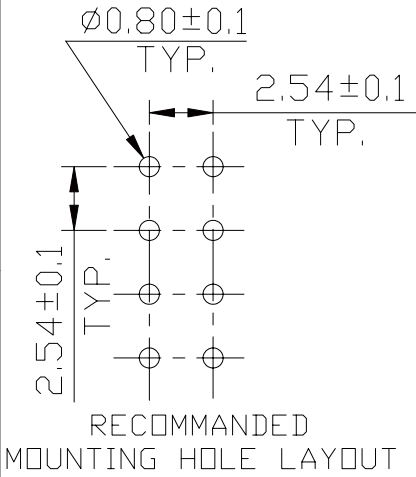
Tous droits strictement réservés. Reproduction ou communication à des tiers interdite sous quelque forme que ce soit sans autorisation écrite du Propriétaire de c FCI. Droits de reproduction FCI.

All rights strictly reserved. Reproduction or issue to third parties in any form whatever is not permitted without written authority from the proprietor. Property of FCI. Copyright FCI.

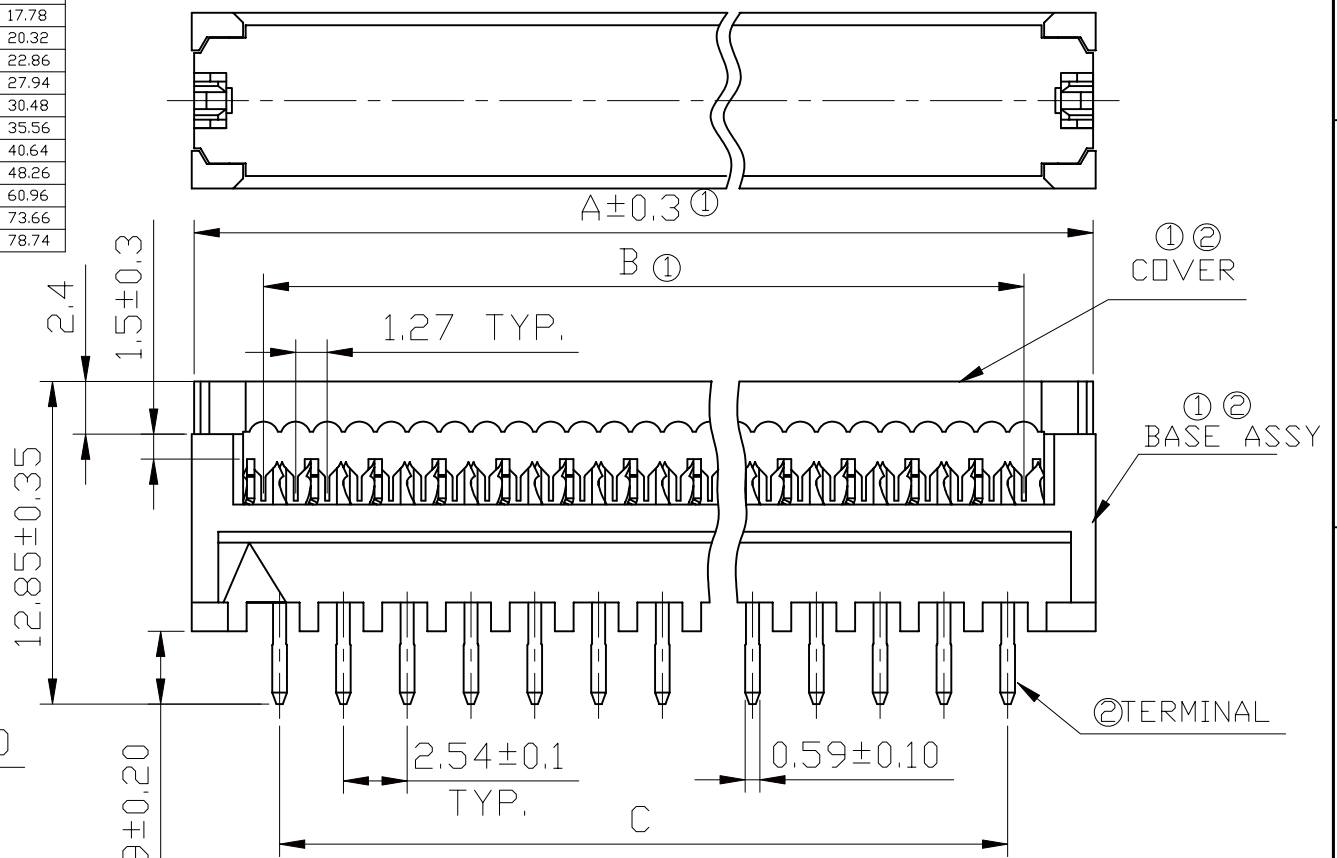
PRODUCT NO.
69830

REVISIONS			
REV	DESCRIPTION	BY	DATE
B	ECR LB277	HS	5/12/86
C	EC T20212		10/22/92
D	N05-0038	Jason	2/17/05
E	N05-0056	Jason	3/1/05

PRODUCT NO.	COVER P/N	BASE ASSY P/N	NO. OF POSITION	A	B	C
69830-006(LF)	68118-006	69831-006(LF)	6	12.08	6.35	5.08
69830-008(LF)	68118-008	69831-008(LF)	8	14.62	8.89	7.62
69830-010(LF)	68118-010	69831-010(LF)	10	17.16	11.43	10.16
69830-014(LF)	68118-014	69831-014(LF)	14	22.24	16.51	15.24
69830-016(LF)	68118-016	69831-016(LF)	16	24.78	19.05	17.78
69830-018(LF)	68118-018	69831-018(LF)	18	27.32	21.59	20.32
69830-020(LF)	68118-020	69831-020(LF)	20	29.86	24.13	22.86
69830-024(LF)	68118-024	69831-024(LF)	24	34.94	29.21	27.94
69830-026(LF)	68118-026	69831-026(LF)	26	37.48	31.75	30.48
69830-030(LF)	68118-030	69831-030(LF)	30	42.56	36.83	35.56
69830-034(LF)	68118-034	69831-034(LF)	34	47.64	41.91	40.64
69830-040(LF)	68118-040	69831-040(LF)	40	55.26	49.53	48.26
69830-050(LF)	68118-050	69831-050(LF)	50	67.96	62.23	60.96
69830-060(LF)	68118-060	69831-060(LF)	60	80.56	74.93	73.66
69830-064(LF)	68118-064	69831-064(LF)	64	85.74	80.01	78.74



- NOTES:
- ① SEE TABLE.
 - ② MATERIAL:
BASE POLYESTER (PET) GLASS
COVER 30% FILLED, UL94V-0, COLOR: BLUE.
TERMINAL-----PHOSPHOR BRONZE.
 - 3. FINISH:
69830-***: ALL OVER SnPb PLATING 3.81um MIN. 1.27 um MIN. Ni UNDER PLATING.
69830-***LF: ALL OVER PURE Sn PLATING 3.81um MIN. 1.27 um MIN. Ni UNDER PLATING.
 - 4. APPLICABLE SPECIFICATIONS:
PRODUCT SPEC 110-019
CRIMPING (I.D.C) SPEC 100-004.
 - 5. CONTACT RETENSION FORCE:
400gf/pin MIN. AGAINST THIS DIRECTION.
 - 6. THE HOUSING OF XXXX-XYLF WILL WITHSTAND EXPOSURE TO 260°C PEAK TEMPERATURE FOR 5 SECONDS IN A WAVE SOLDER APPLICATION.



mat'l. code		tolerances unless otherwise specified		CUSTOMER COPY		 www.fciconnect.com	
ltr	ecn no	dr	date	linear	.X ± 0.3	projection	title QUICKIE DIL PCB CONNECTOR (.100 SHORT LEG)
D	N05-0038	ZC	2/17/05		.XX ± 0.15	 MM	
E	N05-0056	ZC	3/1/05	angles	.XXX ± 0.05		scale
					X.±2'	1:1	code
				dr	Zhengcai Tao	2/17/05	size
				engr	Zhengcai Tao	2/17/05	dwg no
				chr	Zhengcai Tao	2/17/05	69830
				appd	Jason Zhou	2/17/05	sheet
sheet	revision						1 of 1
index	sheet						