



Chipsmall Limited consists of a professional team with an average of over 10 year of expertise in the distribution of electronic components. Based in Hongkong, we have already established firm and mutual-benefit business relationships with customers from,Europe,America and south Asia,supplying obsolete and hard-to-find components to meet their specific needs.

With the principle of “Quality Parts,Customers Priority,Honest Operation,and Considerate Service”,our business mainly focus on the distribution of electronic components. Line cards we deal with include Microchip,ALPS,ROHM,Xilinx,Pulse,ON,Everlight and Freescale. Main products comprise IC,Modules,Potentiometer,IC Socket,Relay,Connector.Our parts cover such applications as commercial,industrial, and automotives areas.

We are looking forward to setting up business relationship with you and hope to provide you with the best service and solution. Let us make a better world for our industry!



Contact us

Tel: +86-755-8981 8866 Fax: +86-755-8427 6832

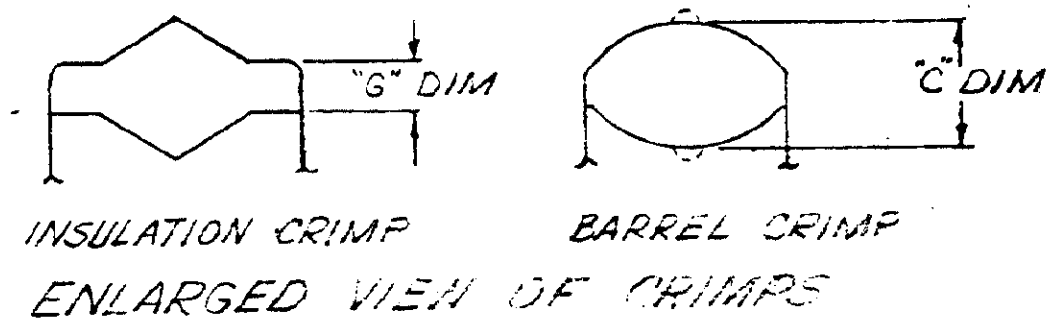
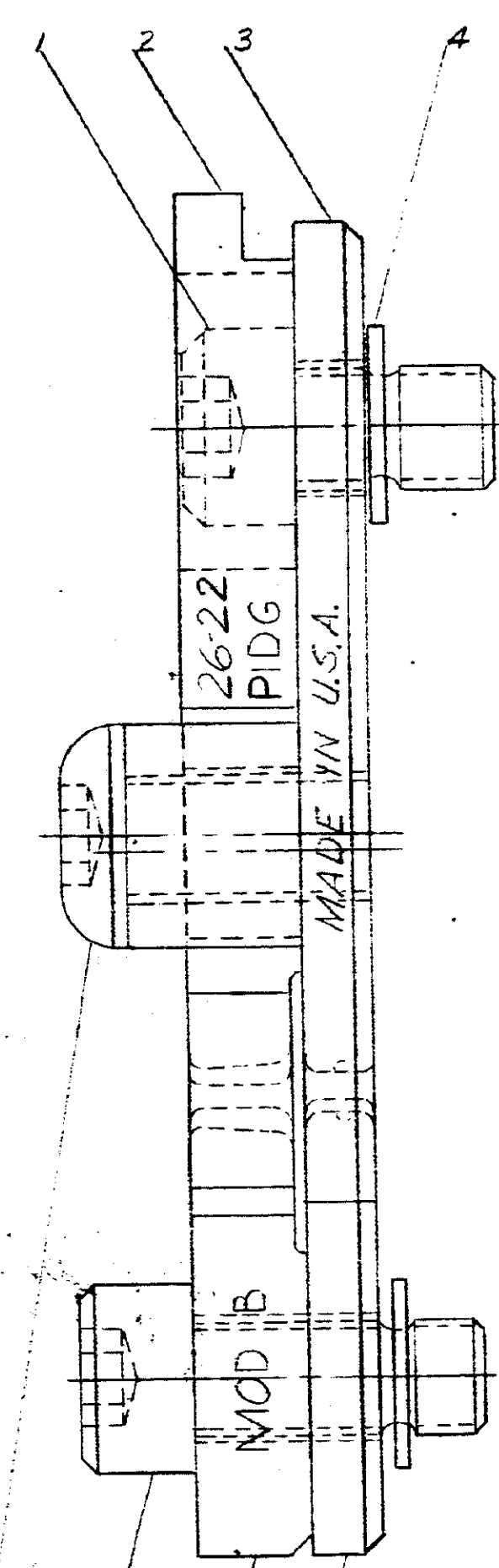
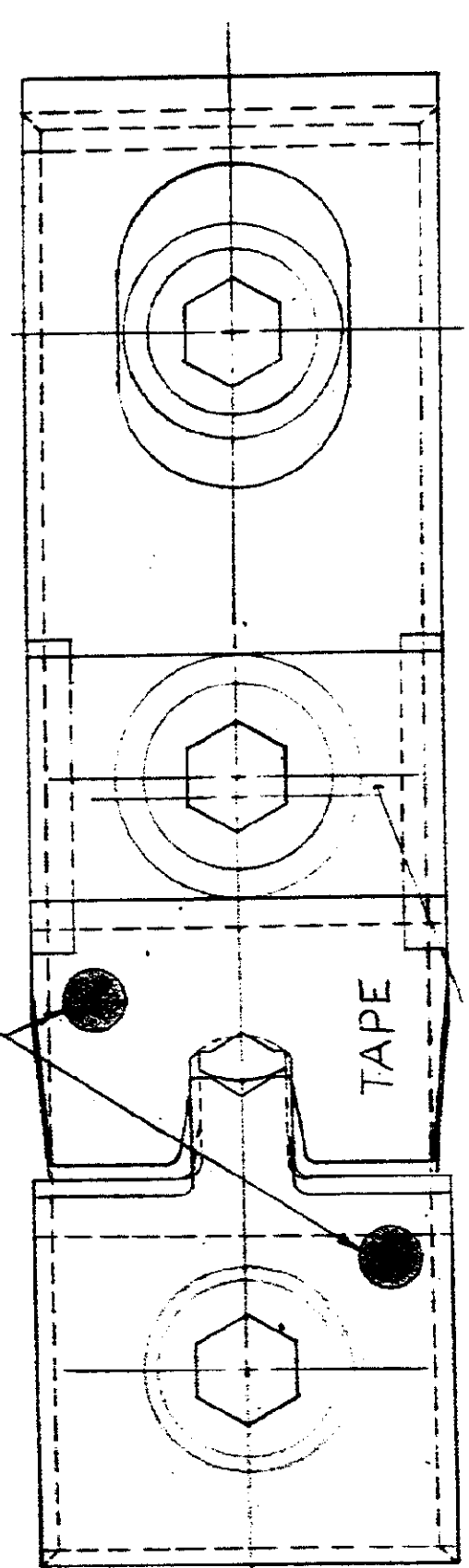
Email & Skype: info@chipsmall.com Web: www.chipsmall.com

Address: A1208, Overseas Decoration Building, #122 Zhenhua RD., Futian, Shenzhen, China

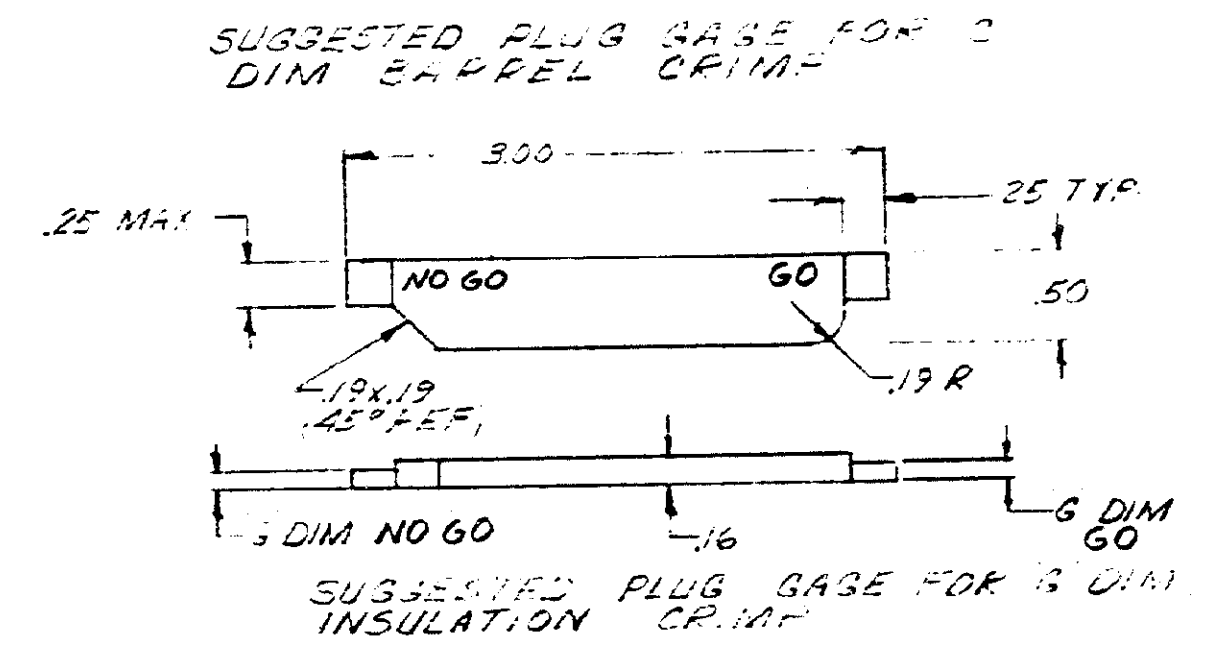
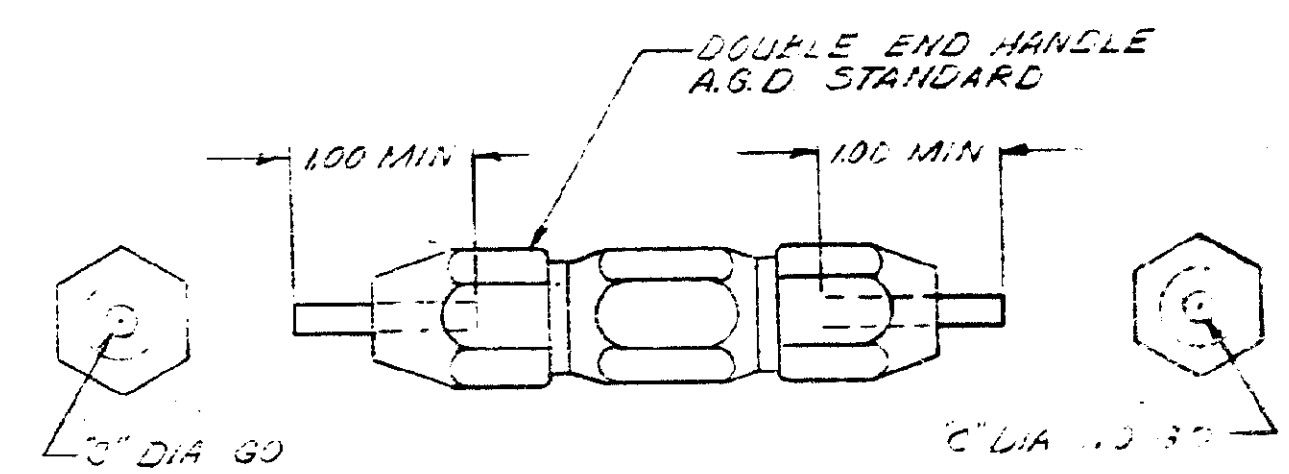


NUMBER 69877

PLUG GAGE DIMENSIONS APPLY WHEN TOOL IS BOTTOMED BUT NOT UNDER PRESSURE.



6" DIM AT POS 7		6" DIM	
GO	NO GO	GO	NO GO
.030	.050	.063	.069



SUPERSEDED BY 15-2423

1	307275-1	SADDLE	9
1	2-59577-7	SCREW (10-32 UNF-3A X .390 LONG)	8
1	59781-7	SCREW-SPECIAL	7
1	1-59319-5	ANVIL-INSULATION	6
1	2-59615-0	ANVIL	5
2	1-21046-3	RING-RETAINING	4
1	59782-2	INDENTER	3
1	307285-3	INDENTER-INSULATION	2
1	59781-4	SCREW-SPECIAL	1

REQUIRED PER ASSEMBLY	NUMBER	NAME	REMARKS	ITEM NO.
	© 1969 BY AMP INCORPORATED. ALL RIGHTS RESERVED. AMP PRODUCTS COVERED BY PATENTS AND/OR PATENTS PENDING.			
	MATERIAL AND FINISH		CUSTOMER COPY REFERENCE ONLY	
	BY B. Shonfeld 11-25-69		AMP INCORPORATED HARRISBURG, PENNA	
	DATE 12-1-69		USED ON 69875	
	WIRE - RANGE - INSULATION 26-22 + +		TYPE "C" PIDG	
	TOLERANCE EXCEPT AS NOTED = .015 ± .005		SCALE 4:1	
	DATE 12-1-69		MFG 69877	
	DIE ASSEMBLY MOD B			

REVISION	DATE	BY	CHKD
1	7-28-69		
2	7-15-69		
3	7-15-69		

