



Chipsmall Limited consists of a professional team with an average of over 10 year of expertise in the distribution of electronic components. Based in Hongkong, we have already established firm and mutual-benefit business relationships with customers from,Europe,America and south Asia,supplying obsolete and hard-to-find components to meet their specific needs.

With the principle of “Quality Parts,Customers Priority,Honest Operation,and Considerate Service”,our business mainly focus on the distribution of electronic components. Line cards we deal with include Microchip,ALPS,ROHM,Xilinx,Pulse,ON,Everlight and Freescale. Main products comprise IC,Modules,Potentiometer,IC Socket,Relay,Connector.Our parts cover such applications as commercial,industrial, and automotives areas.

We are looking forward to setting up business relationship with you and hope to provide you with the best service and solution. Let us make a better world for our industry!



Contact us

Tel: +86-755-8981 8866 Fax: +86-755-8427 6832

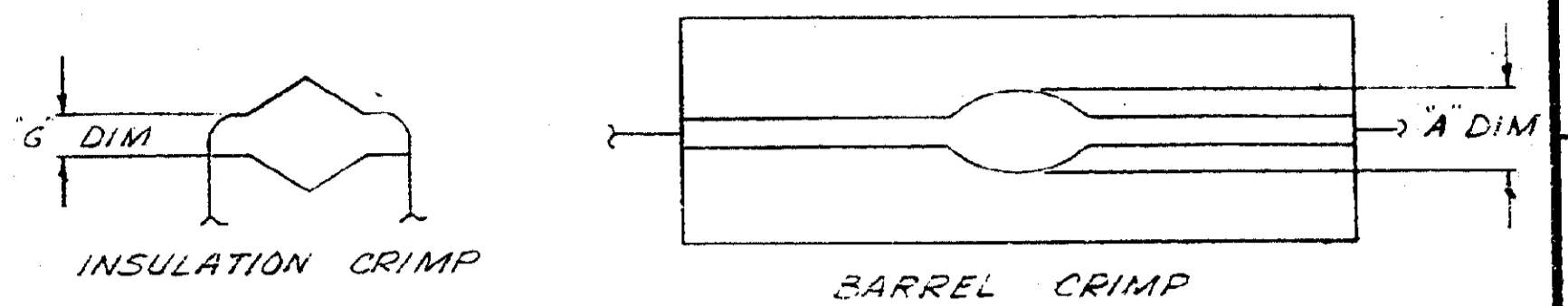
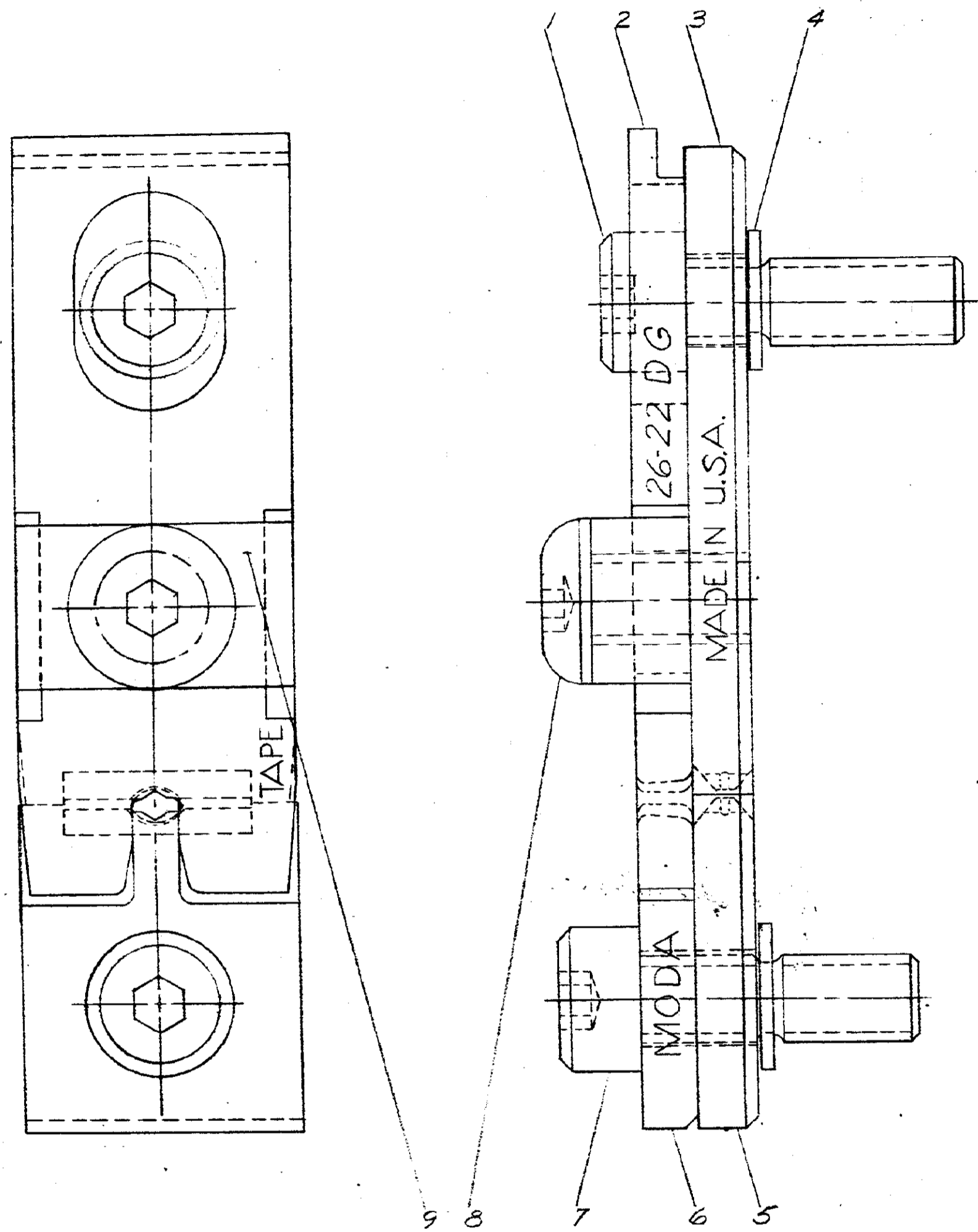
Email & Skype: info@chipsmall.com Web: www.chipsmall.com

Address: A1208, Overseas Decoration Building, #122 Zhenhua RD., Futian, Shenzhen, China



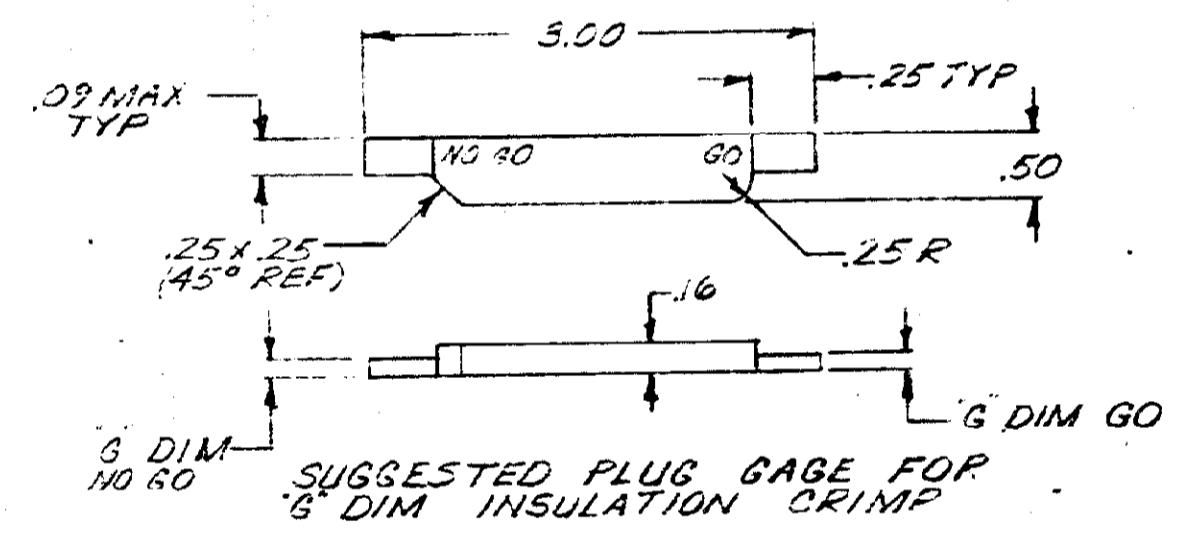
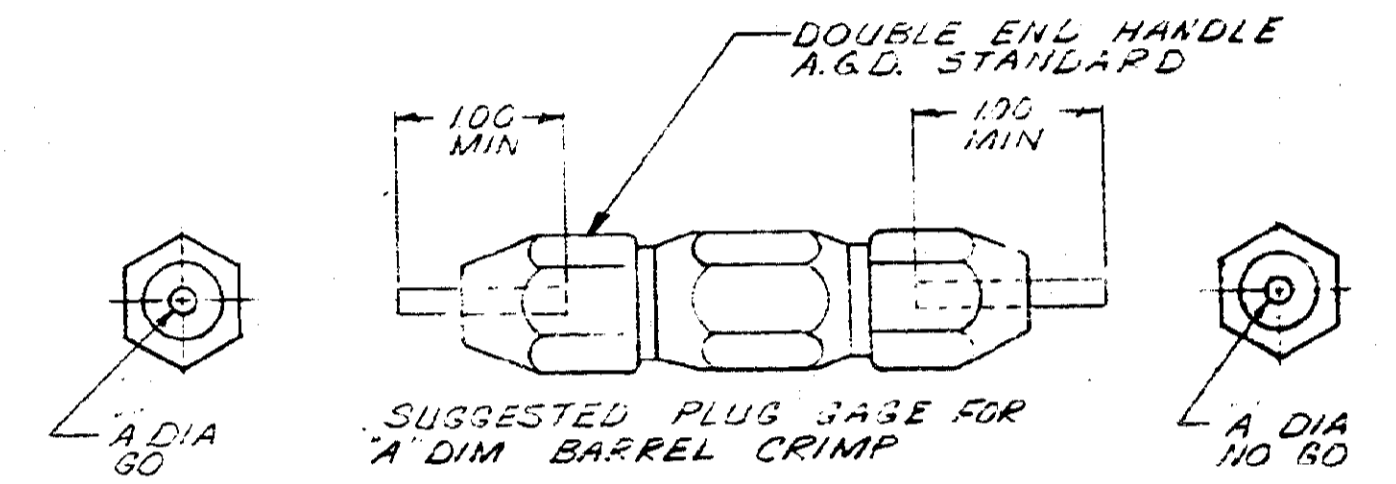
NUMBER 69902

PLUG GAGE DIMENSIONS APPLY WITH TOOL 15
 BOTTOMED BUT NOT UNDER PRESSURE.



ENLARGED VIEW OF CRIMPS

'G' DIM AT POS #1		'A' DIM	
GO	NO GO	GO	NO GO
.015	.035	.044	.055



SUPERSEDED BY 15-2423

1	307275-5	SADDLE	9
1	59577-6	SCREW (10-32 UNF-3A X .350 LONG)	8
1	2-59781-1	SCREW-SPECIAL	7
1	3-59619-4	ANVIL-INSULATION	6
1	307213-4	INSET-BARREL-LOWER	5
2	1-21046-3	RING-RETAINING	4
1	307212-4	INSERT-BARREL-UPPER	3
1	1-307285-0	INDENTER-INSULATION	2
1	59781-3	SCREW	1

REQUIRED PER ASSEMBLY	NUMBER	NAME	REMARKS	ITEM NO.
	©1969 BY AMP INCORPORATED. ALL RIGHTS RESERVED. AMP PRODUCTS COVERED BY PATENTS AND/OR PATENTS PENDING.			
	CUSTOMER COPY REFERENCE ONLY			
	MATERIAL AND FINISH		AMP INCORPORATED HARRISBURG, PENNA.	
	WIRE - RANGE - INSULATION		USED ON 69875	
	26-22		CROSS CRIMP DG	
	TOLERANCE EXCEPT AS NOTED = .015		SCALE 4-1	
	LOC M		REV A1	
	NAME		DIE ASSEMBLY MODA	

DIMENSIONS IN INCHES. DO NOT SCALE PRINT.

REVISED BY	DATE	REVISION RECORD	ECH	DATE
15-2423	12-16-69			
REVISION RECORD				