



Chipsmall Limited consists of a professional team with an average of over 10 year of expertise in the distribution of electronic components. Based in Hongkong, we have already established firm and mutual-benefit business relationships with customers from,Europe,America and south Asia,supplying obsolete and hard-to-find components to meet their specific needs.

With the principle of “Quality Parts,Customers Priority,Honest Operation,and Considerate Service”,our business mainly focus on the distribution of electronic components. Line cards we deal with include Microchip,ALPS,ROHM,Xilinx,Pulse,ON,Everlight and Freescale. Main products comprise IC,Modules,Potentiometer,IC Socket,Relay,Connector.Our parts cover such applications as commercial,industrial, and automotives areas.

We are looking forward to setting up business relationship with you and hope to provide you with the best service and solution. Let us make a better world for our industry!



Contact us

Tel: +86-755-8981 8866 Fax: +86-755-8427 6832

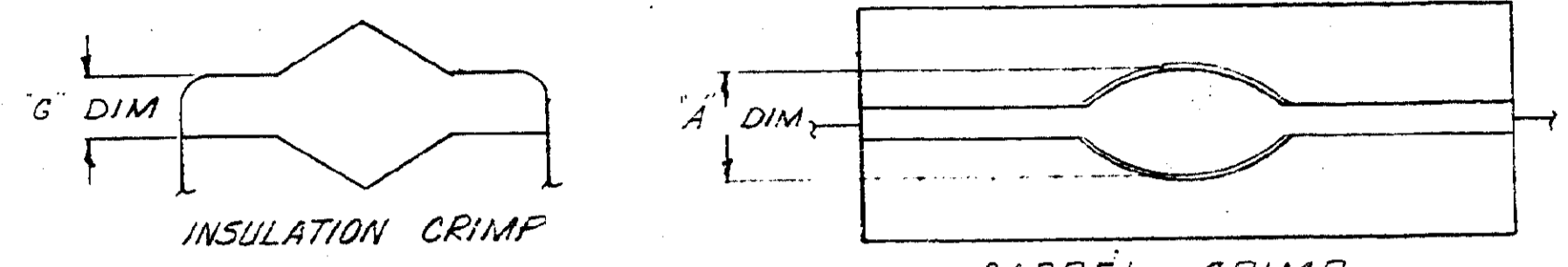
Email & Skype: info@chipsmall.com Web: www.chipsmall.com

Address: A1208, Overseas Decoration Building, #122 Zhenhua RD., Futian, Shenzhen, China



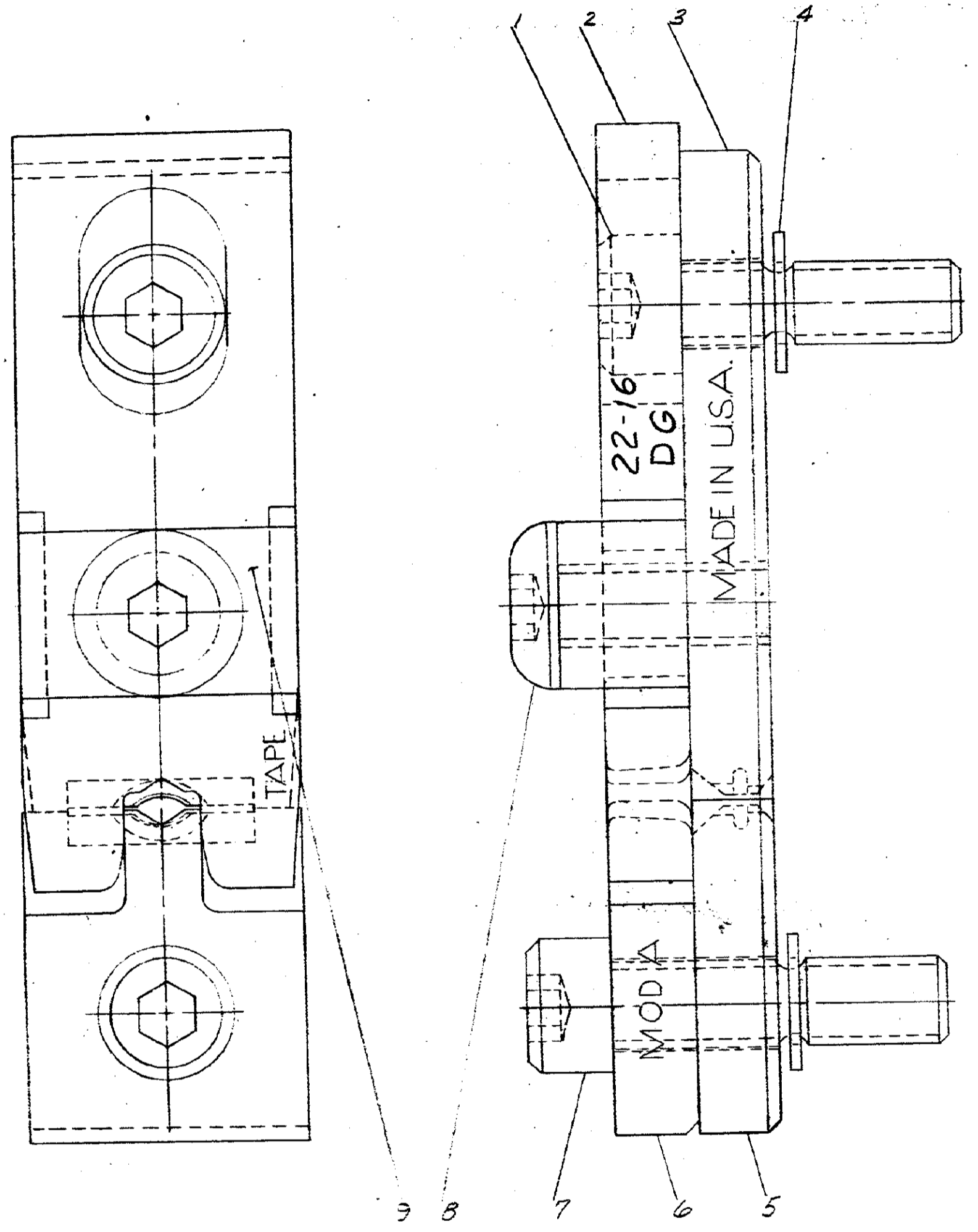
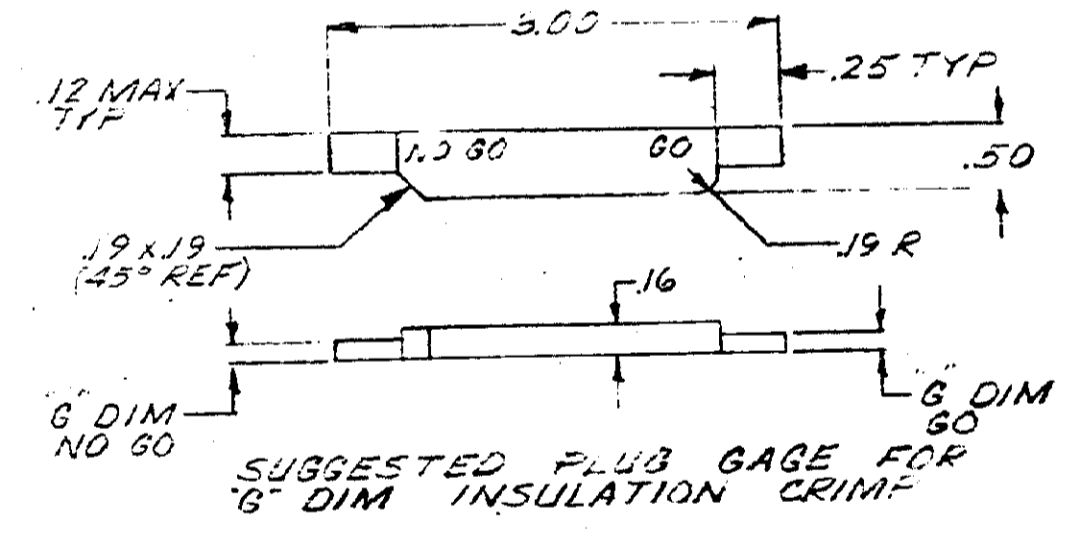
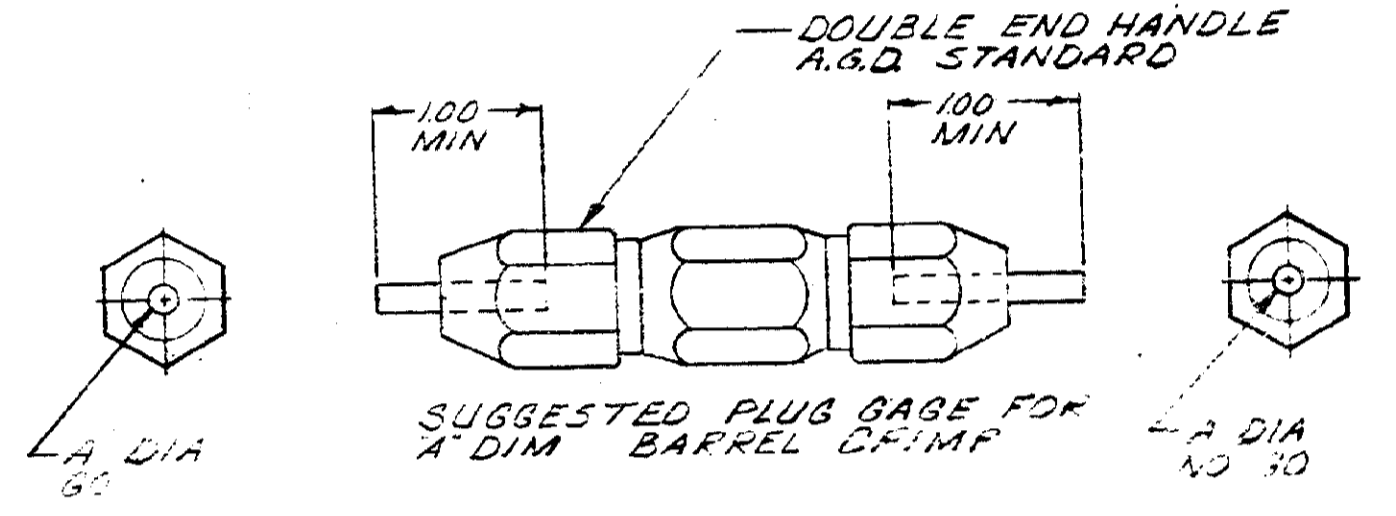
NUMBER 69903

PLUG GAGE DIMENSIONS APPLY WHEN TOOL IS
BOTTOMED BUT NOT UNDER PRESSURE.



ENLARGED VIEW OF CRIMPS

G DIM AT POS #1		A DIM	
GO	NO GO	GO	NO GO
.030	.050	.069	.075



SUPERSEDED BY IS-2423

ITEM NO.	NUMBER	NAME	REMARKS
9	307275-1	SADDLE	
8	2-59577-9	SCREW (10-32 UNF-3A X .470 LONG)	
7	59781-6	SCREW-SPECIAL	
6	3-59619-3	ANVIL-INSULATION	
5	307213-3	INSERT-BARREL LOWER	
4	1-21046-3	RING-RETAINING	
3	307212-3	INSERT-BARREL-UPPER	
2	1-307285-1	INDENTER-INSULATION	
1	59781-2	SCREW	

REQUIRED PER ASSEMBLY	NUMBER	NAME	REMARKS
© 1949 BY AMP INCORPORATED. ALL RIGHTS RESERVED. AMP PRODUCTS COVERED BY PATENTS AND/OR PATENTS PENDING.			
DR B. Shenfeld 12-12-69 CHE J. J. [signature] 12-16-69 DE [signature] AMP [signature] 12-16-69		MATERIAL AND FINISH WIRE - RANGE - INSULATION 22-16 + + TOLERANCE EXCEPT AS NOTED ± .015 ± 1" 0' SCALE 4-1 LOC M C NO. 69903 NAME DIE ASSEMBLY MOD A	
		CUSTOMER COPY REFERENCE ONLY AMP INCORPORATED HARRISBURG, PENNA. USED ON 69875 TYPE CROSS CRIMP D.G.	

REVISION	DATE	BY	CHKD
1	12-16-69	J. J. [signature]	[signature]
2	12-16-69	[signature]	[signature]
3	12-16-69	[signature]	[signature]

REVISION RECORD