



Chipsmall Limited consists of a professional team with an average of over 10 year of expertise in the distribution of electronic components. Based in Hongkong, we have already established firm and mutual-benefit business relationships with customers from,Europe,America and south Asia,supplying obsolete and hard-to-find components to meet their specific needs.

With the principle of "Quality Parts,Customers Priority,Honest Operation,and Considerate Service",our business mainly focus on the distribution of electronic components. Line cards we deal with include Microchip,ALPS,ROHM,Xilinx,Pulse,ON,Everlight and Freescale. Main products comprise IC,Modules,Potentiometer,IC Socket,Relay,Connector.Our parts cover such applications as commercial,industrial, and automotives areas.

We are looking forward to setting up business relationship with you and hope to provide you with the best service and solution. Let us make a better world for our industry!



Contact us

Tel: +86-755-8981 8866 Fax: +86-755-8427 6832

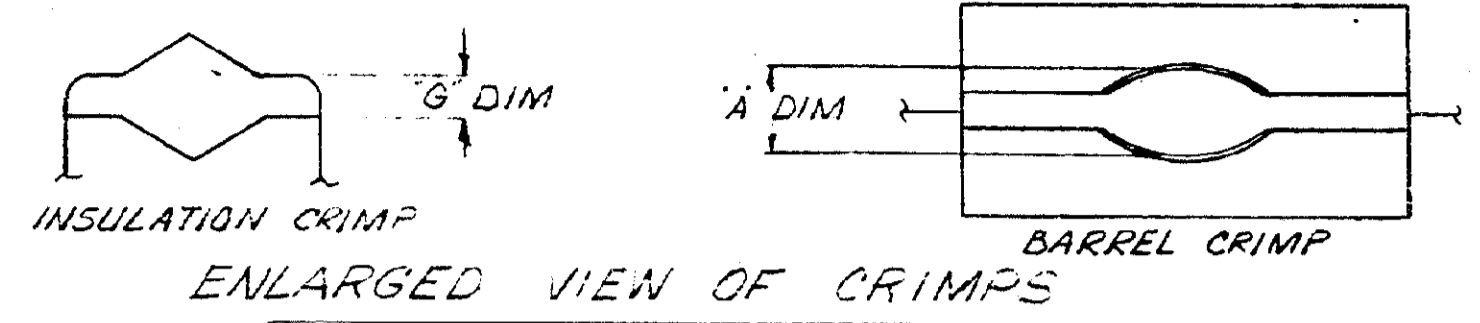
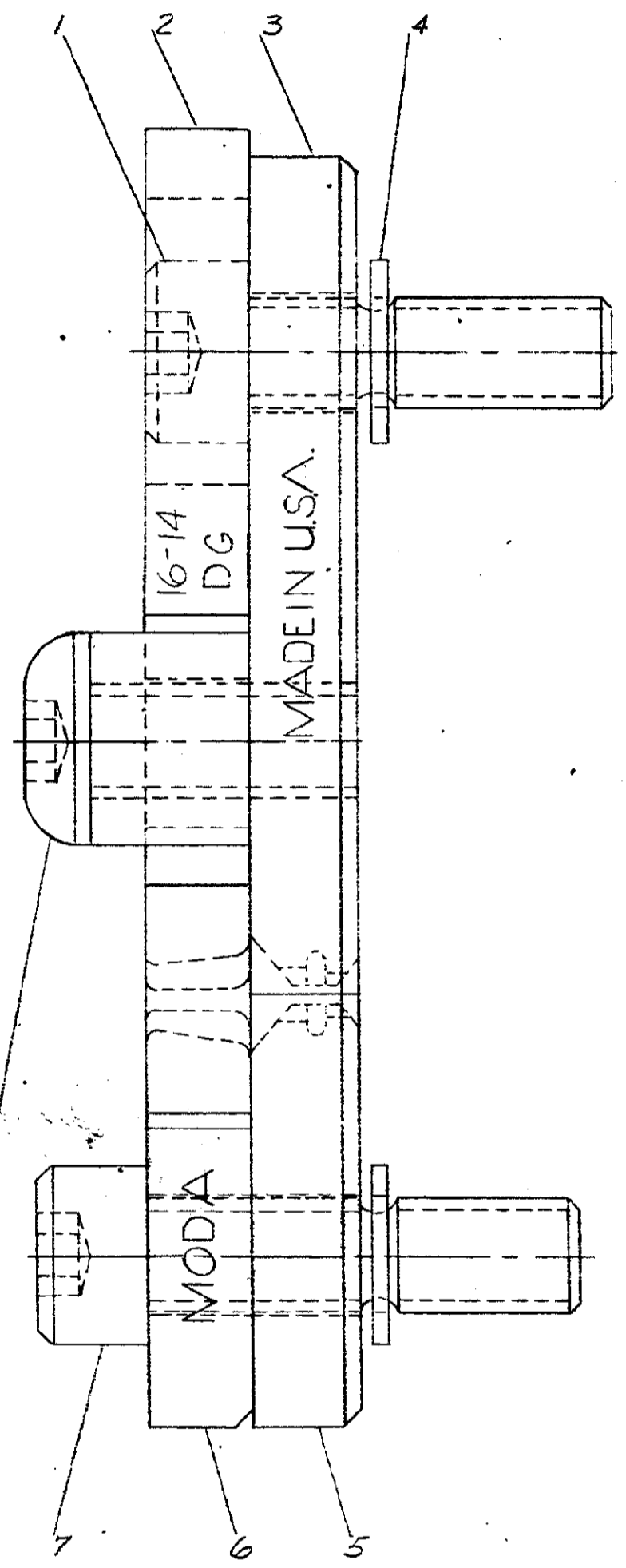
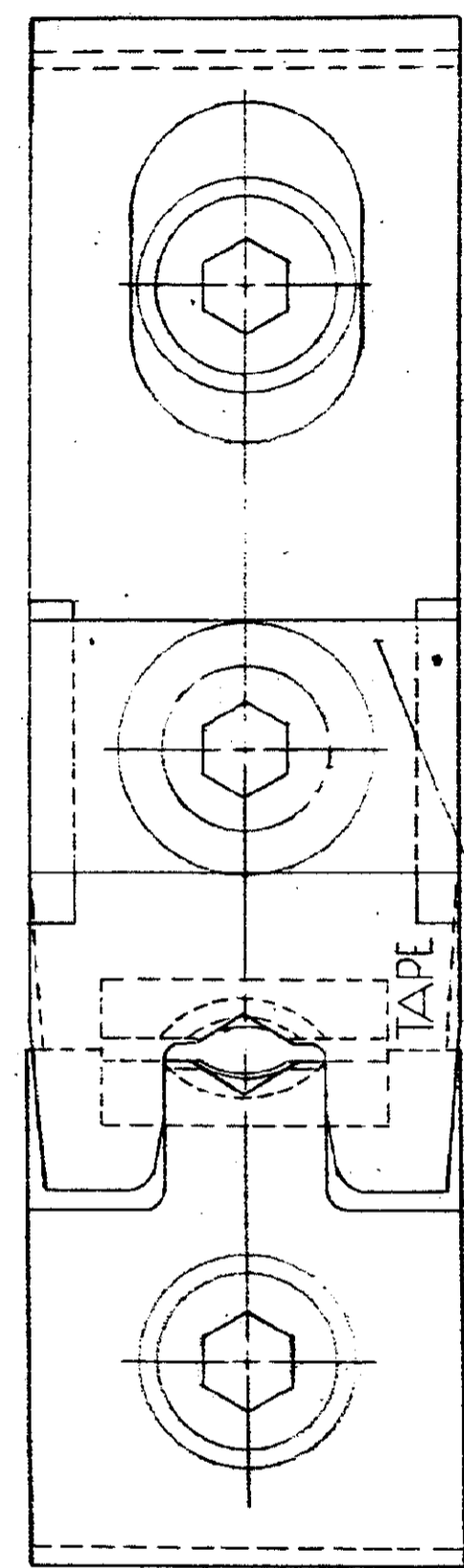
Email & Skype: info@chipsmall.com Web: www.chipsmall.com

Address: A1208, Overseas Decoration Building, #122 Zhenhua RD., Futian, Shenzhen, China

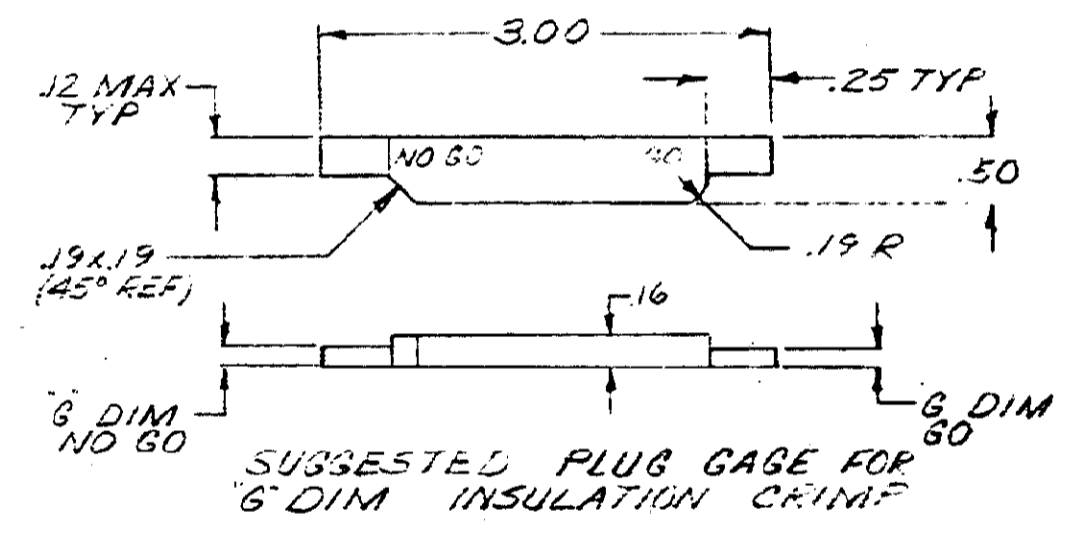
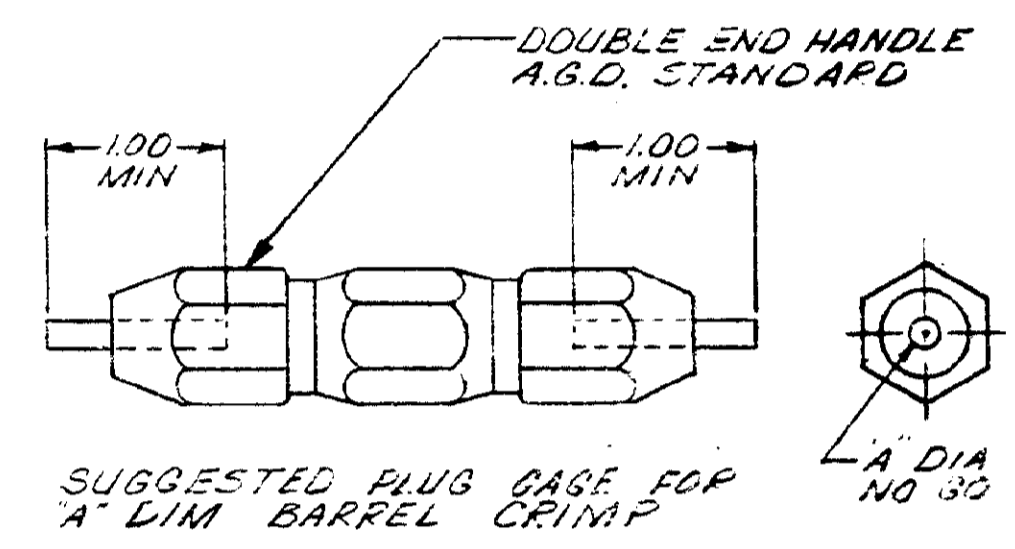


PLUG GAGE DIMENSIONS APPLY WHEN TOOL IS
 BOTTOMED BUT NOT UNDER PRESSURE.

NUMBER 69904



G' DIM AT POS #1		A' DIM	
GO	NO GO	GO	NO GO
.030	.050	.080	.086



SUPERSEDED BY 15-2423

QTY	NUMBER	NAME	REMARKS	ITEM NO.
1	307275-1	SADDLE		9
1	2-59577-9	SCREW (10-32 UNF-3A x .470 LONG)		5
1	59781-6	SCREW-SPECIAL		7
1	3-59619-2	ANVIL-INSULATION		6
1	307213-2	INSERT-BARREL-LOWER		5
2	1-21046-3	RING-RETAINING		4
1	307212-2	INSERT-BARREL-UPPER		3
1	1-307285-2	INDENTER-INSULATION		2
1	59781-2	SCREW		1

NO.	REVISION	DATE	BY	CHKD
1	ASUP'D BY 15-2423	12-28-69		
2	REVISED	12-28-69		

REQUIRED PER ASSEMBLY

©1969 BY AMP INCORPORATED. ALL RIGHTS RESERVED.
 AMP PRODUCTS COVERED BY PATENTS AND/OR PATENTS PENDING.

CUSTOMER COPY REFERENCE ONLY

DR B. Shonfeld 12-12-69

CHKD R. J. Jurgens 12-17-69

DE R. J. Jurgens 12-17-69

NAME R. J. Jurgens

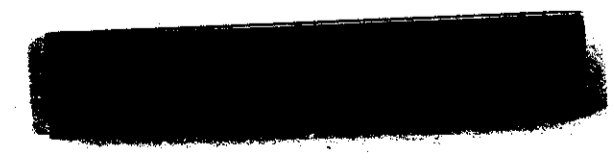
WIRE - RANGE - INSULATION TYPE
 16-14 + + CROSS CRIMP DG

TOLERANCE EXCEPT AS NOTED ± .015 ± .015

SCALE 4-1 M C

NO. 69904

DESCRIPTION DIE ASSEMBLY MOD A



DIMENSIONS IN INCHES. DO NOT SCALE PRINT.