



Chipsmall Limited consists of a professional team with an average of over 10 year of expertise in the distribution of electronic components. Based in Hongkong, we have already established firm and mutual-benefit business relationships with customers from,Europe,America and south Asia,supplying obsolete and hard-to-find components to meet their specific needs.

With the principle of “Quality Parts,Customers Priority,Honest Operation,and Considerate Service”,our business mainly focus on the distribution of electronic components. Line cards we deal with include Microchip,ALPS,ROHM,Xilinx,Pulse,ON,Everlight and Freescale. Main products comprise IC,Modules,Potentiometer,IC Socket,Relay,Connector.Our parts cover such applications as commercial,industrial, and automotives areas.

We are looking forward to setting up business relationship with you and hope to provide you with the best service and solution. Let us make a better world for our industry!



Contact us

Tel: +86-755-8981 8866 Fax: +86-755-8427 6832

Email & Skype: info@chipsmall.com Web: www.chipsmall.com

Address: A1208, Overseas Decoration Building, #122 Zhenhua RD., Futian, Shenzhen, China



FLAT HINGE - LEAF HINGE

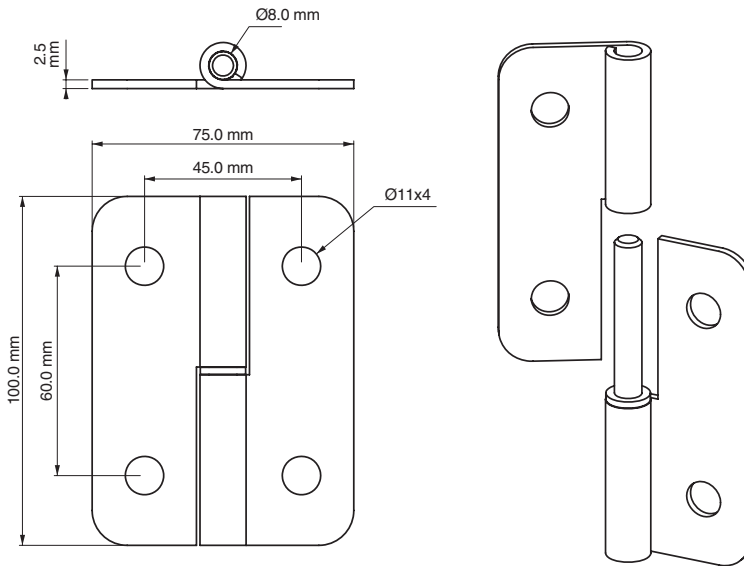


Specifications

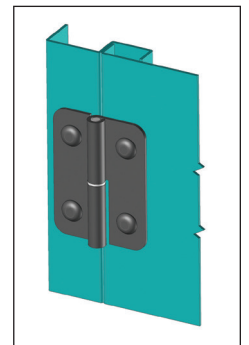
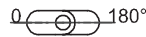
- Material:
Body / Pin: Steel
- Finish: See Chart

Features

- Heavy-duty lift off hinge
- Suitable for left-hand and right-hand applications
- Opening angle 180°
- Applications: Generators, machinery covers, electric panels



Hinge Rotation Angle



Item Number	Hinge Rotation	Material	Finish	Hand
89962001	180°	Steel	Black	Right
89962002	180°	Steel	Black	Left
89963001	180°	Steel	Zinc	Right
89963002	180°	Steel	Zinc	Left