



Chipsmall Limited consists of a professional team with an average of over 10 year of expertise in the distribution of electronic components. Based in Hongkong, we have already established firm and mutual-benefit business relationships with customers from,Europe,America and south Asia,supplying obsolete and hard-to-find components to meet their specific needs.

With the principle of “Quality Parts,Customers Priority,Honest Operation,and Considerate Service”,our business mainly focus on the distribution of electronic components. Line cards we deal with include Microchip,ALPS,ROHM,Xilinx,Pulse,ON,Everlight and Freescale. Main products comprise IC,Modules,Potentiometer,IC Socket,Relay,Connector.Our parts cover such applications as commercial,industrial, and automotives areas.

We are looking forward to setting up business relationship with you and hope to provide you with the best service and solution. Let us make a better world for our industry!



Contact us

Tel: +86-755-8981 8866 Fax: +86-755-8427 6832

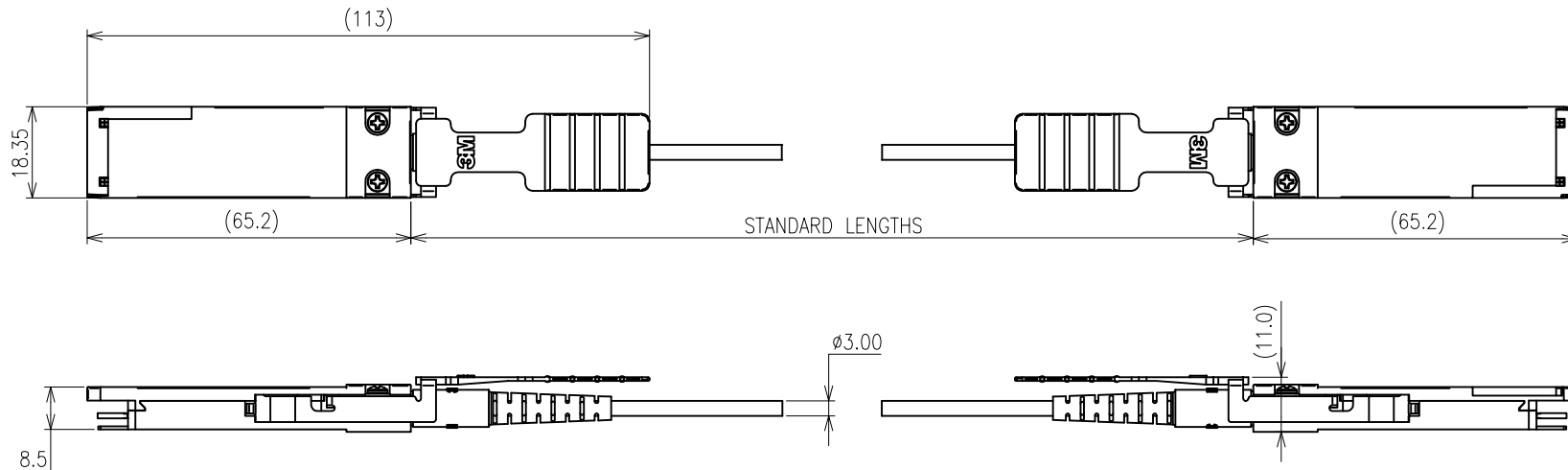
Email & Skype: info@chipsmall.com Web: www.chipsmall.com

Address: A1208, Overseas Decoration Building, #122 Zhenhua RD., Futian, Shenzhen, China



3M™ Active Optical Cable (AOC) Assemblies for QSFP+ Applications
 Visit <http://www.3Mconnectors.com>

REVISION RECORD		
REV.	ECR/ECN/ECO NUMBER	DATE
C	ECR/ECO-0048886	18/07/13
D	ECR/ECO-0052457	28/01/14



NOTES:

- SHELL MATERIAL: ZINC ALLOY
FINISHING: NICKEL PLATING
- UNLESS OTHERWISE NOTED, REFERENCES TO INDUSTRY SPECIFICATIONS ARE INTENDED TO INDICATE SUBSTANTIAL COMPLIANCE TO THE MATERIAL ELEMENTS OF THE SPECIFICATION. SUCH REFERENCES SHOULD NOT BE CONSTRUED AS A GUARANTEE OF COMPLIANCE TO ALL REQUIREMENTS IN A GIVEN SPECIFICATION.
- CABLE LENGTH TOLERANCE:

CABLE LENGTH	TOLERANCE
<10m	+40cm/-20cm
10m to 50m	+40cm/-30cm
>50m	+40cm/-50cm

3M PART NUMBERS

6A22-X04X1-XXX.0-0

- STANDARD LENGTHS; 1 m INCREMENTS FROM 2m TO 30m, 35m, 40m, 45m, 50m, 60m, 70m, 80m, 90m, 100m
- CABLE TYPE: 2 - ORANGE OM2+, PLENUM RATED THERMOPLASTIC
4 - ORANGE OM2+, LOW SMOKE ZERO HALOGEN RATED THERMOPLASTIC (LSZH)
- DATA RATE: A - QDR INFINIBAND / D - FDR INFINIBAND

PART NUMBER	DESCRIPTION
Example: 6A22-A0421-002.0-0	AOC, QSFP-QSFP, QDR INFINIBAND, 4CH, PLENUM, OM2+, 2m
6A22-D0441-003.0-0	AOC, QSFP-QSFP, FDR INFINIBAND, 4CH, LSZH, OM2+, 3m

UNIT: MM	DFTG YUNLONG QIAO	DATE 18/07/13	3M APAC INNOVATION CENTRE	DIVISION ESD	STATUS RELEASED
GEN. TOLERANCES	CHKD YUNLONG QIAO	DATE 18/07/13		MODEL	
LINEAR .0 = ± 0.20 .00 = ± 0.15 .000 = ± 0.05	APPVL SAUJIT BANDHU	DATE 18/07/13	TITLE AOC, QSFP-QSFP, QDR/FDR, 4CH OPTICAL CABLE		
ANGLE ±1°	THIS DOCUMENT CONTAINS INFORMATION WHICH IS PROPRIETARY TO 3M COMPANY. NO REPRODUCTION OR PUBLICATION OF THIS DOCUMENT, IN WHOLE OR IN PART, SHALL BE MADE WITHOUT AUTHORIZATION FROM 3M. ©3M 2014. ALL RIGHTS RESERVED.		SIZE A3	DRAWING NO. 78-5100-2442-1	REV D
PROJECTION	INTERPRET PER ASME Y14.5M-1994	SCALE : NTS		DET LIST <input type="checkbox"/> YES <input type="checkbox"/> NO	SHT 1 of 1
	CRITICAL DIMENSION: ▲				