



Chipsmall Limited consists of a professional team with an average of over 10 year of expertise in the distribution of electronic components. Based in Hongkong, we have already established firm and mutual-benefit business relationships with customers from,Europe,America and south Asia,supplying obsolete and hard-to-find components to meet their specific needs.

With the principle of “Quality Parts,Customers Priority,Honest Operation,and Considerate Service”,our business mainly focus on the distribution of electronic components. Line cards we deal with include Microchip,ALPS,ROHM,Xilinx,Pulse,ON,Everlight and Freescale. Main products comprise IC,Modules,Potentiometer,IC Socket,Relay,Connector.Our parts cover such applications as commercial,industrial, and automotives areas.

We are looking forward to setting up business relationship with you and hope to provide you with the best service and solution. Let us make a better world for our industry!



## Contact us

Tel: +86-755-8981 8866 Fax: +86-755-8427 6832

Email & Skype: info@chipsmall.com Web: www.chipsmall.com

Address: A1208, Overseas Decoration Building, #122 Zhenhua RD., Futian, Shenzhen, China



3M™ Active Optical Cable (AOC) Assemblies for CX4 Applications  
 Visit <http://www.3Mconnectors.com>

REVISION RECORD		
REV.	ECR/ECN/ECO NUMBER	DATE
A	ECO-0038639	01/02/12
B	ECR/ECO-0043565	28/09/12

NOTES:

- RoHS COMPLIANT. SEE REGULATORY INFORMATION APPENDIX IN "RoHS COMPLIANCE" SECTION AT [WWW.3M.COM/INTERCONNECT](http://WWW.3M.COM/INTERCONNECT) (E1 & C1 APPLY)
- HOUSING MATERIAL: ZINC ALLOY;  
 FINISH: NICKEL PLATING  
 CABLE: ORANGE OM2+, PLENUM RATED THERMOPLASTIC, OR  
 ORANGE OM2+, LOW SMOKE ZERO HALOGEN RATED THERMOPLASTIC (LSZH)

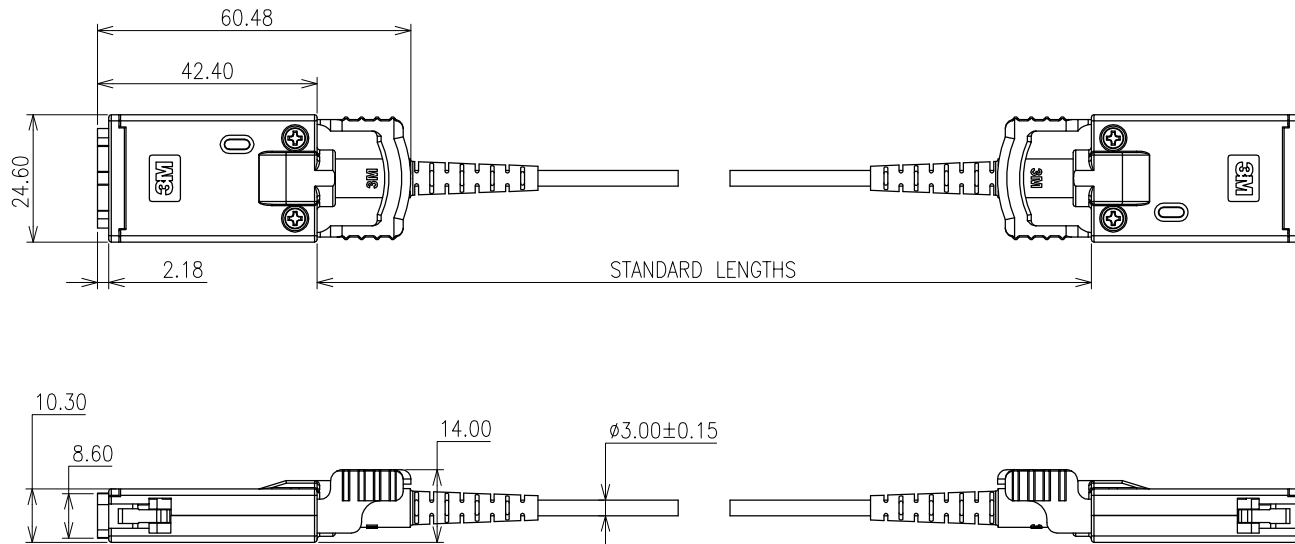
3. ORDERING INFORMATION:

6A44-B04X1-XXX.0-0

STANDARD LENGTHS:  
 1m INCREMENTS FROM 2m TO 30m,  
 35m,40m,45m,50m,60m,70m,80m,  
 90m,100m

CABLE TYPE:  
 2 PLENUM  
 4 LOW SMOKE ZERO HALOGEN (LSZH)

example: PART NUMBER & DESCRIPTION  
 6A44-B0421-003.0-0  
 (AOC,CX4-CX4,DDR,4CH,PLENUM,OM2+,3m)



CABLE LENGTH	TOLERANCE
<10m	+40cm/-20cm
10m to 50m	+40cm/-30cm
>50m	+40cm/-50cm

UNIT: MM	DFTG OH KIM CHYE	DATE 28/09/12		DIVISION ESD	STATUS RELEASED
GEN. TOLERANCES	CHKD SAJJIT BANDHU	DATE 28/09/12		MODEL	
LINEAR .0 = ± 0.20 .00 = ± 0.10 .000 = ± 0.05	APPVL ALAN ANG	DATE 28/09/12	TITLE AOC, CX4-CX4, DDR, 4CH, OPTICAL CABLE		
ANGLE ±0.5°	THIS DOCUMENT CONTAINS INFORMATION WHICH IS PROPRIETARY TO 3M COMPANY. NO REPRODUCTION OR PUBLICATION OF THIS DOCUMENT, IN WHOLE OR IN PART, SHALL BE MADE WITHOUT AUTHORIZATION FROM 3M. ©3M 2012. ALL RIGHTS RESERVED.		SIZE A3	DRAWING NO. 78-5100-2496-7	REV B
PROJECTION	INTERPRET PER ASME Y14.5M-1994	SCALE : 1:1		DET LIST <input type="checkbox"/> YES <input type="checkbox"/> NO	SHT 1 of 1
	CRITICAL DIMENSION:				