



Chipsmall Limited consists of a professional team with an average of over 10 year of expertise in the distribution of electronic components. Based in Hongkong, we have already established firm and mutual-benefit business relationships with customers from,Europe,America and south Asia,supplying obsolete and hard-to-find components to meet their specific needs.

With the principle of "Quality Parts,Customers Priority,Honest Operation,and Considerate Service",our business mainly focus on the distribution of electronic components. Line cards we deal with include Microchip,ALPS,ROHM,Xilinx,Pulse,ON,Everlight and Freescale. Main products comprise IC,Modules,Potentiometer,IC Socket,Relay,Connector.Our parts cover such applications as commercial,industrial, and automotives areas.

We are looking forward to setting up business relationship with you and hope to provide you with the best service and solution. Let us make a better world for our industry!



Contact us

Tel: +86-755-8981 8866 Fax: +86-755-8427 6832

Email & Skype: info@chipsmall.com Web: www.chipsmall.com

Address: A1208, Overseas Decoration Building, #122 Zhenhua RD., Futian, Shenzhen, China



3M™ Active Optical Pluggable Transceiver For QSFP+ Applications
 Visit <http://www.3Mconnectors.com>

NOTES:

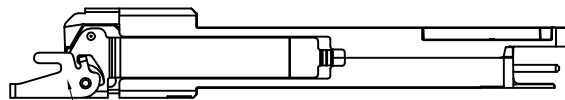
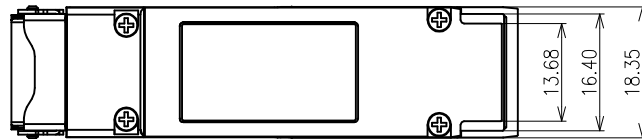
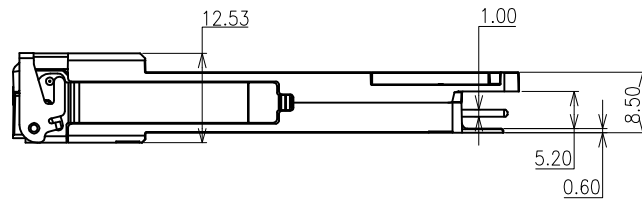
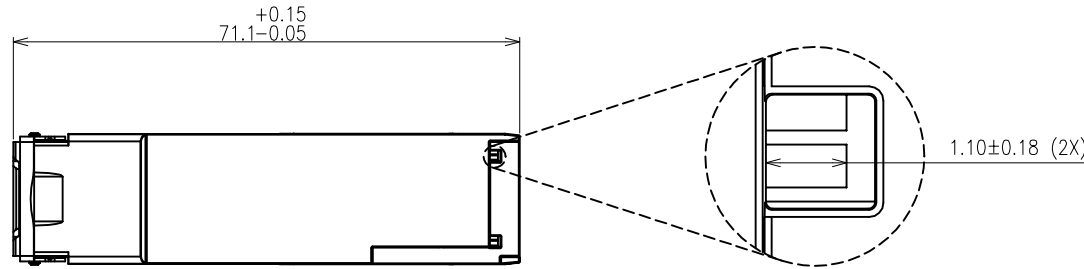
1. RoHS COMPLIANT. SEE REGULATORY INFORMATION APPENDIX IN "RoHS COMPLIANCE" SECTION AT www.3Mconnectors.com (E1 & C1 APPLY)

2. MEET SPECIFICATION SFF-8436
 UNLESS OTHERWISE NOTED, REFERENCES TO INDUSTRY SPECIFICATIONS ARE INTENDED TO INDICATE SUBSTANTIAL COMPLIANCE TO THE MATERIAL ELEMENTS OF THE SPECIFICATION. SUCH REFERENCES SHOULD NOT BE CONSTRUED AS A GUARANTEE OF COMPLIANCE TO ALL REQUIREMENTS IN A GIVEN SPECIFICATION."

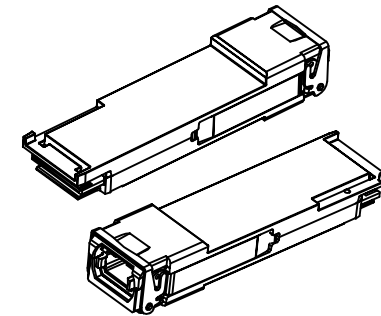
3. MATERIAL:
 HOUSEING: ZINC ALLOY
 FINISHING: NICKEL PLATING

4. ORDERING INFORMATION:

6B=Pluggable Transceiver
 2=QSFP+
 A=10G
 04=4 channels
 1=850nm optical wavelength
 2=Multi Mode
 A=MPO Optical Interface
 0=Placeholder



FREE ROTATION 90° AFTER ASSEMBLY



DESIGN REFERENCE		NEXT ASSEMBLY		A 0045111	MAY 17, 2013		OKC	YL
DISTRIBUTION CODES		DRFT OH KIM CHYE		ECO	DATE MAY 17, 2013	MFG	DATE	DRFT CHKD
DIVISION ESD		DIVISION CODE		DRD QIAO YUN LONG	DATE MAY 17, 2013	APPR SAUJIT BANDHU	DATE MAY 17, 2013	
DO NOT SCALE DRAWING		SCALE 2/1		TOLERANCES EXCEPT AS NOTED		© 3M COPYRIGHT 2013 This document and the information it contains are 3M property and may not be reproduced or further distributed without 3M permission, or used or disclosed other than for 3M authorized purposes. All rights reserved.		
THIRD ANGLE PROJECTION		INTERPRET PER ASME Y14.5 - 1994		MILLIMETERS		TITLE		
MAX SURFACE ROUGHNESS 125		<input type="checkbox"/> ALL SURFACES <input checked="" type="checkbox"/> MARKED ONLY		.0 ± .00 ±.20 .000 ±.10 .000 ±.05		QSFP+ OPTICAL 4x10Gbps PLUGGABLE TRANSCEIVER		
ANGLES ±1°		CAGE NUMBER		DRAWING NO.		REV.		
		C 78-5100-2570-9		A		MODEL DET. LISTS <input type="checkbox"/> YES <input checked="" type="checkbox"/> NO SHT 1 OF 1		

78-5100-2570-9
 DRAWING NUMBER