



Chipsmall Limited consists of a professional team with an average of over 10 year of expertise in the distribution of electronic components. Based in Hongkong, we have already established firm and mutual-benefit business relationships with customers from,Europe,America and south Asia,supplying obsolete and hard-to-find components to meet their specific needs.

With the principle of “Quality Parts,Customers Priority,Honest Operation,and Considerate Service”,our business mainly focus on the distribution of electronic components. Line cards we deal with include Microchip,ALPS,ROHM,Xilinx,Pulse,ON,Everlight and Freescale. Main products comprise IC,Modules,Potentiometer,IC Socket,Relay,Connector.Our parts cover such applications as commercial,industrial, and automotives areas.

We are looking forward to setting up business relationship with you and hope to provide you with the best service and solution. Let us make a better world for our industry!



## Contact us

Tel: +86-755-8981 8866 Fax: +86-755-8427 6832

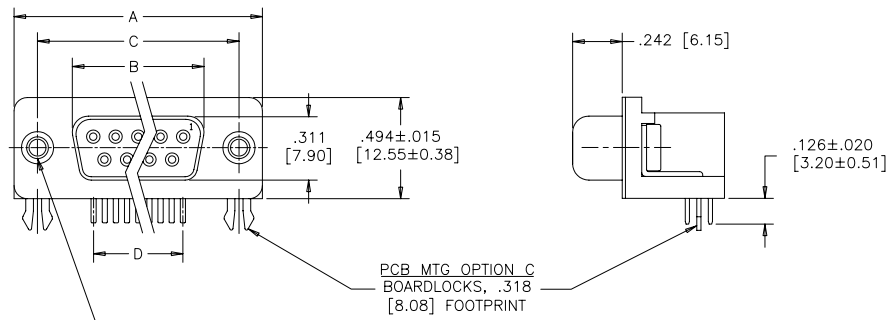
Email & Skype: info@chipsmall.com Web: www.chipsmall.com

Address: A1208, Overseas Decoration Building, #122 Zhenhua RD., Futian, Shenzhen, China



**.318 [8.08] FOOTPRINT**  
(STANDARD PCB LAYOUT)

REVISIONS			
REV	ECN, ERN NO.	DATE	APPRD.
B	PRODUCT DRAWING (EAR 12937)	APR28/06	K.L.



**DIMENSIONS**

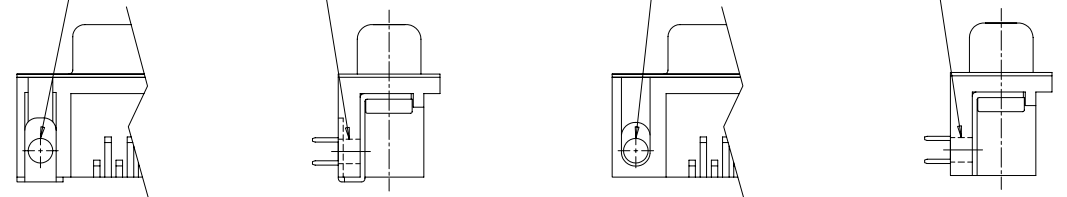
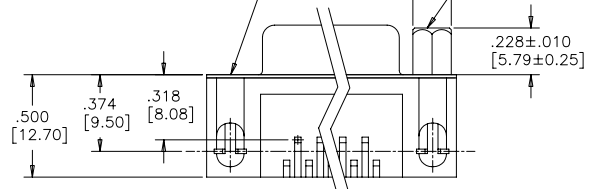
SIZE	A±.015 [0.38]	B±.005 [0.13]	C±.005 [0.13]	D BSC.
009	1.213 [30.81]	.643 [16.33]	.984 [24.99]	.432 [10.97]
015	1.541 [39.14]	.971 [24.66]	1.312 [33.32]	.756 [19.20]
025	2.088 [53.04]	1.511 [38.38]	1.852 [47.04]	1.304 [33.12]
037	2.729 [69.32]	2.159 [54.84]	2.500 [63.50]	1.956 [49.68]

PANEL MTG OPTIONS 0 OR 1  
 .120 [3.05] DIA. OR #4-40  
 THROUGH HOLES (2 PLACES),  
 SEE ORDERING CODE.

PANEL MTG OPTION 2  
 #4-40 UNC THREADED HEX  
 JACK SOCKET  
 (2 INSTALLED)

PCB MTG OPTION A  
 ø.120 [3.05] MTG HOLE  
 WITH WRAP-AROUND  
 GROUND STRAP,  
 .318 [8.08] FOOTPRINT

PCB MTG OPTIONS D OR J  
 ø.120 [3.05] MTG HOLE OR  
 #4-40 THREADED MTG HOLE,  
 .318 [8.08] FOOTPRINT



**ORDERING CODE:**

**PART NUMBER:** 6 E 1 7 X - X X X S X X - X 2 0 X

**SERIES** \_\_\_\_\_

**PCB MTG OPTIONS** \_\_\_\_\_

A=ø.120 [3.05] MTG HOLE WITH  
 WRAP-AROUND GROUND STRAP,  
 .318 [8.08] FOOTPRINT  
 C=BOARDLOCK OPTION,  
 .318 [8.08] FOOTPRINT  
 D=ø.120 [3.05] MTG HOLE,  
 .318 [8.08] FOOTPRINT  
 J=#4-40 THREADED MTG HOLE,  
 .318 [8.08] FOOTPRINT  
 U=ø.120 [3.05] MTG HOLE,  
 .590 [14.99] FOOTPRINT  
 Y=BOARDLOCK OPTION,  
 .590 [14.99] FOOTPRINT

**NUMBER OF CONTACTS** \_\_\_\_\_

009, 015, 025, 037

**STYLE** \_\_\_\_\_

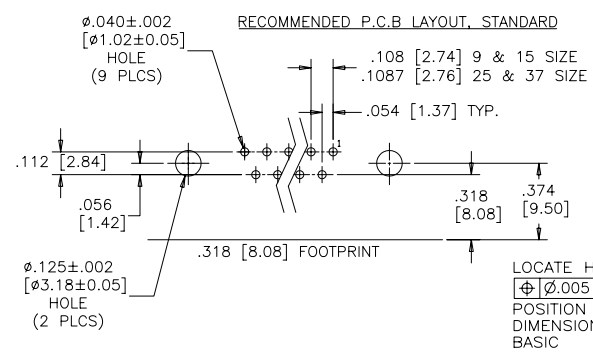
S=SOCKET

**PCB LAYOUT CODE**  
 NO DIGIT=STANDARD  
 .374 [9.50] DIM'N FOR .318 [8.08] F/P  
 .315 [8.00] DIM'N FOR .590 [14.99] F/P  
 E=.646 [16.41] DIM'N FOR .590 [14.99] F/P

**SHELL CHARACTERISTICS**  
 20=TIN PLATED RECEPTACLE SHELL

**PANEL MOUNTING OPTIONS**  
 0=ø.120" [3.05] THROUGH HOLE  
 1=#4-40 THREADED HOLE  
 2=MOUNTING OPTION 1 WITH #4-40  
 UNC HEX JACK SOCKETS INSTALLED

**CONTACT PLATING OPTIONS**  
 BF=ENGAGEMENT AREA 3µ" [0.08 MICRONS] GOLD FLASH  
 CF=ENGAGEMENT AREA 15µ" [0.38 MICRONS] GOLD  
 AJ=ENGAGEMENT AREA 30µ" [0.76 MICRONS] GOLD



LOCATE HOLES  
 [ø.005 [0.13]]  
 POSITION  
 DIMENSIONS ARE  
 BASIC

**RECOMMENDED P.C.B LAYOUT, STANDARD**

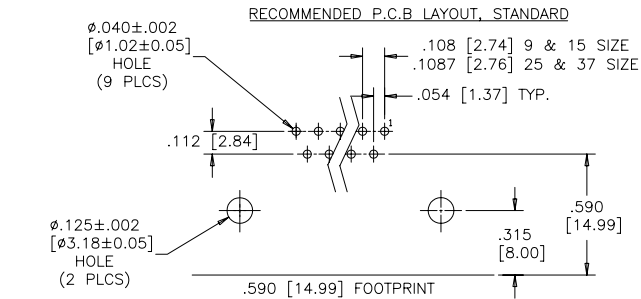
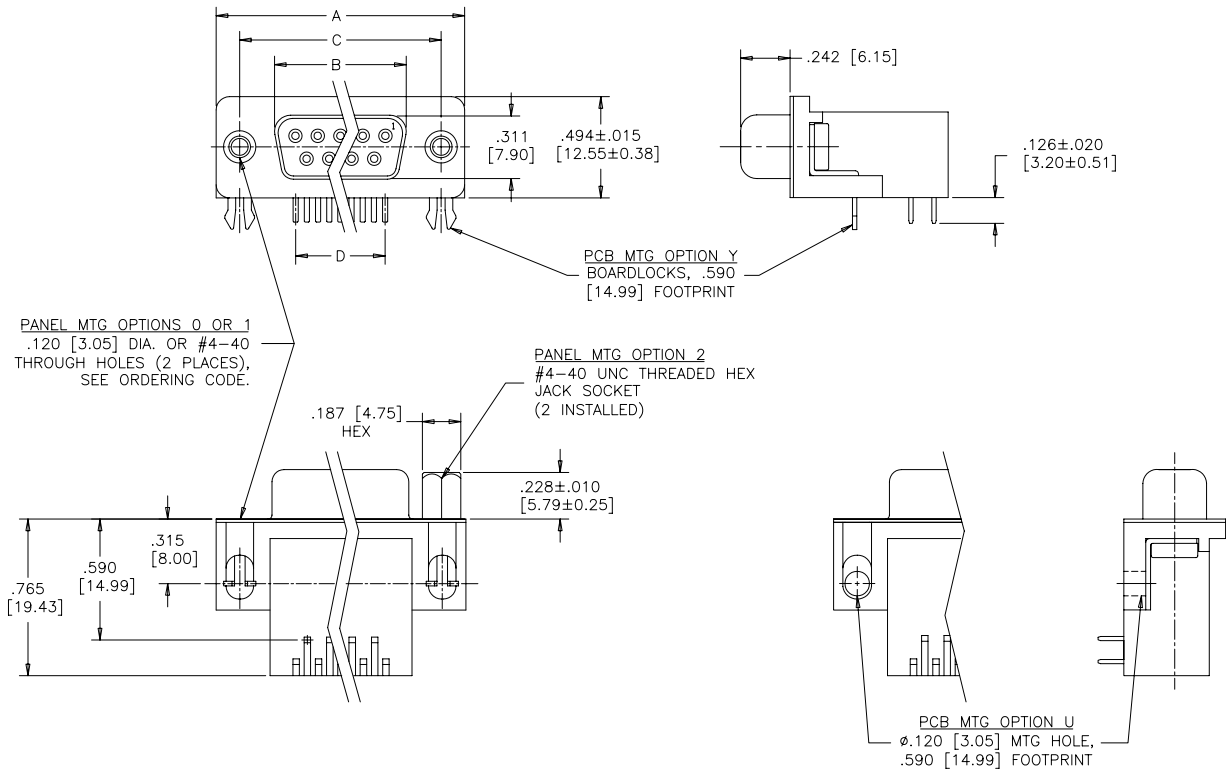
SEE SHEET 2 FOR NOTES & SPECIFICATIONS

DRAWN	A.CHENG	DATE	APR13/06
DESIGNED			
CHECKED	K.LAMBIE	DATE	APR13/06
I. E. APPRD.			
Q. A. APPRD.			
DWG. APPRD.			
ENG. REL. NO.		DWG	DRAWING NO.
REF.	EAR 12937	C	P-6E17X-XXXSXX-X20X
DIMENSIONS ARE IN INCHES		CODE ID. NO.	03554

<b>Amphenol Canada Corp.</b>			
TITLE			
6E17 SERIES D-SUB CONNECTOR, 9 TO 37 SIZE SOCKET, RIGHT ANGLE WITH F/P, MTG AND PLATING OPTIONS, RoHS COMPLIANT			
REV.	B	SCALE	2/1
WT.	-----	SURF.	-----
SHEET 1 OF 2			

THIS DOCUMENT CONTAINS PROPRIETARY INFORMATION AND SUCH INFORMATION  
 MAY NOT BE DISCLOSED TO OTHERS FOR ANY PURPOSE OR USED FOR MANUFACTURING  
 PURPOSES WITHOUT WRITTEN PERMISSION FROM AMPHENOL CANADA CORP.

**.590 [14.99] FOOTPRINT  
(STANDARD PCB LAYOUT)**

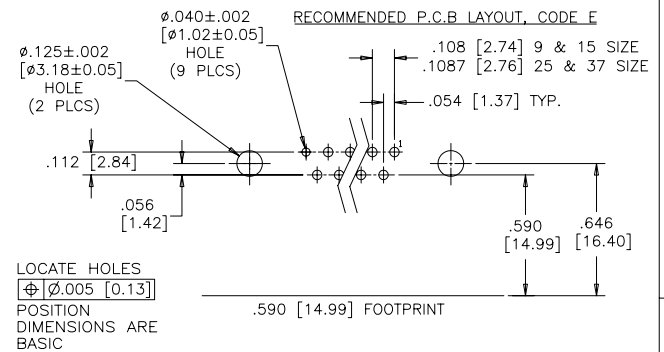
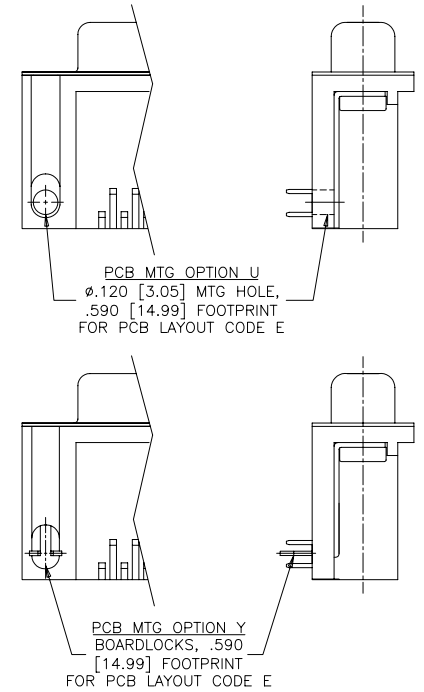


**LOCATE HOLES**  
 ⊕ [ø.005 [0.13]]  
 POSITION DIMENSIONS ARE BASIC

**DIMENSIONS**

SIZE	A±.015 [0.38]	B±.005 [0.13]	C±.005 [0.13]	D BSC.
009	1.213 [30.81]	.643 [16.33]	.984 [24.99]	.432 [10.97]
015	1.541 [39.14]	.971 [24.66]	1.312 [33.32]	.756 [19.20]
025	2.088 [53.04]	1.511 [38.38]	1.852 [47.04]	1.304 [33.12]
037	2.729 [69.32]	2.159 [54.84]	2.500 [63.50]	1.956 [49.68]

**.590 [14.99] FOOTPRINT  
(PCB LAYOUT CODE E)**



**SPECIFICATIONS:**

**MATERIALS:** ALL MATERIALS ARE RoHS COMPLIANT

**SHELL:** STEEL, TIN PLATED

**INSERTS:** HIGH TEMPERATURE RESISTANT NYLON, GLASS REINFORCED, UL FLAMMABILITY RATING 94V-0, COLOUR: BLACK

**CONTACTS:** COPPER ALLOY, GOLD PLATING (SEE ORDERING CODE) OVER 50u" [1.27 MICRONS] NICKEL ON ENGAGEMENT AREA WITH 100u" [2.54 MICRONS] MIN. MATTE TIN ON CONTACT TERMINALS.

**BOARDLOCK:** COPPER ALLOY, TIN PLATED

**ELECTRICAL DATA:**

**CURRENT RATING:** 5 AMP

**CONTACT RESISTANCE:** 15 MILLIOHMS MAX.

**INSULATION RESISTANCE:** 3000 MEGOHMS MIN.

**DIELECTRIC WITHSTANDING VOLTAGE:** 1000 VAC rms

**OPERATING TEMPERATURE:** -55°C TO +105°C

SEE SHEET 1 FOR ORDERING CODE

DRAWN	A.CHENG	DATE	APR13/06
DESIGNED			
CHECKED	K.LAMBIE	DATE	APR13/06
I. E. APPRD.			
Q. A. APPRD.			
DWG. APPRD.			
ENG. REL. NO.			
REF.	EAR 12937		
DIMENSIONS ARE IN	INCHES	CODE ID. NO.	03554

**Amphenol Canada Corp.**

**TITLE**  
 6E17 SERIES D-SUB CONNECTOR, 9 TO 37 SIZE SOCKET, RIGHT ANGLE WITH F/P, MTG AND PLATING OPTIONS, RoHS COMPLIANT

DWG	DRAWING NO.	REV.
C	P-6E17X-XXXSXX-X20X	B
DIMENSIONS ARE IN	SCALE	WT.
INCHES	2/1	-----
		SURF. -----
		SHEET 2 OF 2