



Chipsmall Limited consists of a professional team with an average of over 10 year of expertise in the distribution of electronic components. Based in Hongkong, we have already established firm and mutual-benefit business relationships with customers from,Europe,America and south Asia,supplying obsolete and hard-to-find components to meet their specific needs.

With the principle of “Quality Parts,Customers Priority,Honest Operation,and Considerate Service”,our business mainly focus on the distribution of electronic components. Line cards we deal with include Microchip,ALPS,ROHM,Xilinx,Pulse,ON,Everlight and Freescale. Main products comprise IC,Modules,Potentiometer,IC Socket,Relay,Connector.Our parts cover such applications as commercial,industrial, and automotives areas.

We are looking forward to setting up business relationship with you and hope to provide you with the best service and solution. Let us make a better world for our industry!



## Contact us

Tel: +86-755-8981 8866 Fax: +86-755-8427 6832

Email & Skype: info@chipsmall.com Web: www.chipsmall.com

Address: A1208, Overseas Decoration Building, #122 Zhenhua RD., Futian, Shenzhen, China



C. Westoby 11-18-71

DESCRIPTION	APP'D./DATE	REV
		1

SAFETY ORGANIZATION(S)

THIS FILTER HAS BEEN FORMALLY RECOGNIZED, CERTIFIED OR APPROVED BY THE LISTED AGENCY. THEREFORE, ALL TEST/REQUIREMENTS SPECIFIED IN THE LATEST REVISION OF THE FOLLOWING AGENCY STANDARDS HAVE BEEN MET.

UL RECOGNIZED  
 UL 544  
 CSA 22.2, NO. 0, 0.4, 8  
 VDE APPROVED  
 VDE 565-3, 625

OPERATING SPECIFICATIONS.

LINE VOLTAGE/CURRENT,  
 6 AMP., 120/250 VAC  
 6 AMP./40°C, 250 VAC  
 50-60Hz

LINE FREQUENCY,

MAX. LEAKAGE CURRENT, EACH  
 LINE TO GROUND  
 2µA at 120V 60 Hz  
 5µA at 250V 50 Hz

OPERATING AMBIENT TEMP. RANGE.

-10°C TO +40°C @ RATED CURRENT, I<sub>r</sub>  
 IN AN AMBIENT, T<sub>a</sub>, HIGHER THAN 40°C, THE MAXIMUM OPERATING  
 CURRENT, I<sub>o</sub>, IS AS FOLLOWS:

$$I_o = I_r \sqrt{\frac{85 - T_a}{45}}$$

RELIABILITY SPECIFICATIONS.

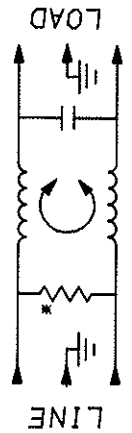
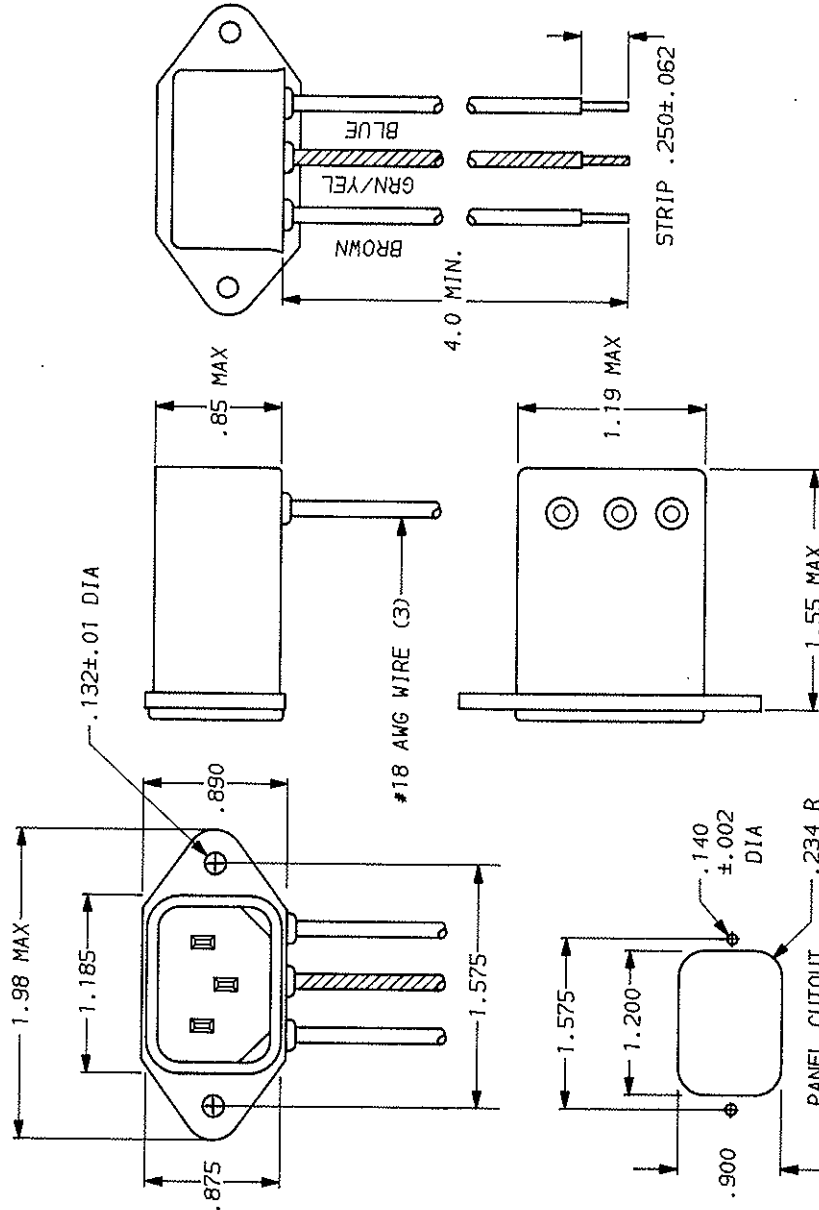
STORAGE TEMPERATURE,  
 -40°C TO +85°C  
 HUMIDITY,  
 21 DAYS @ 40°C 95% RH  
 CURRENT OVERLOAD TEST,  
 6 TIMES RATED CURRENT FOR 8 SECONDS

TEST SPECIFICATIONS.

INDUCTANCE,  
 .465 mH NOMINAL  
 CAPACITANCE, (MEASURED @ 1 KHz, 0.25 VAC MAX., 25°C ±1°C)  
 .01µF ±20%  
 DISCHARGE RESISTOR,  
 1.5 Ma  
 LINE/GROUND AND LINE/LINE  
 6000 Ma (MIN) AT 100 VDC  
 INSULATION RESISTANCE  
 (4/0 DISCHARGE RESISTOR)  
 20°C AND 50% RH  
 RECOMMENDED RECEIVING INSPECTION HIPOUT,  
 LINES TO GROUND,  
 2250 VDC FOR 1 MINUTE  
 LINE TO LINE,  
 1450 VDC FOR 1 MINUTE

FILTER APPROVAL.

THE BEST WAY TO SELECT AND QUALIFY A FILTER IS FOR YOUR ENGINEERING TO TEST THE UNIT IN YOUR EQUIPMENT.



50a - 50a MINIMUM INSERTION LOSS

FREQUENCY MHz	.15	.5	1.0	5.0	10	20	30
COMMON	9	16	20	26	23	20	18
dB							

This document is proprietary to CORCOM INC. and is not to be reproduced nor used for manufacturing purposes except on CORCOM's order or prior written consent.

TOLERANCE EXCEPT AS NOTED  
 DECIMAL: .XXX .XX .X ANGLES  
 ENGLISH: ±.015 ± 1°  
 METRIC: ±

MATERIAL: AS SUPPLIED

FINISH: AS SUPPLIED



POWER LINE FILTER

SCALE: NTS 8-14-90  
 DATE: 8-14-90  
 REV: 6EHS.01  
 ORIGINATOR: CFW  
 DES. NO.: 6EHS.01

\*RESISTOR ADDED TO PRODUCT BUILT AFTER 3-30-92 (9212).