



Chipsmall Limited consists of a professional team with an average of over 10 year of expertise in the distribution of electronic components. Based in Hongkong, we have already established firm and mutual-benefit business relationships with customers from,Europe,America and south Asia,supplying obsolete and hard-to-find components to meet their specific needs.

With the principle of “Quality Parts,Customers Priority,Honest Operation,and Considerate Service”,our business mainly focus on the distribution of electronic components. Line cards we deal with include Microchip,ALPS,ROHM,Xilinx,Pulse,ON,Everlight and Freescale. Main products comprise IC,Modules,Potentiometer,IC Socket,Relay,Connector.Our parts cover such applications as commercial,industrial, and automotives areas.

We are looking forward to setting up business relationship with you and hope to provide you with the best service and solution. Let us make a better world for our industry!



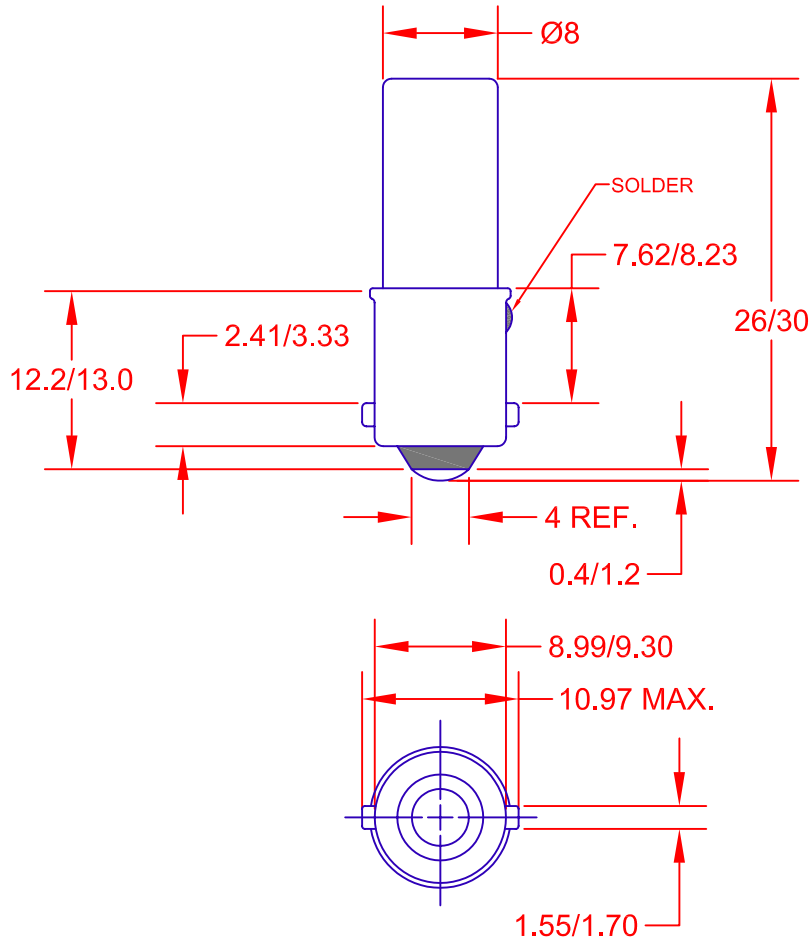
Contact us

Tel: +86-755-8981 8866 Fax: +86-755-8427 6832

Email & Skype: info@chipsmall.com Web: www.chipsmall.com

Address: A1208, Overseas Decoration Building, #122 Zhenhua RD., Futian, Shenzhen, China





JKL LAMP NUMBER	VOLTS RATED	AMPS ±10%	*MSCP ±25%	*LUMENS ±25%	AVERAGE LIFE HRS.	FILAMENT TYPE
6MB	6.0	.140	.12	1.51	20,000	C-2F
24MB	24.0	.073	.50	6.29	10,000	C-2F
28MB	28.0	.040	.29	3.65	5,000	C-2F
48MB	48.0	.053	.70	8.80	10,000	C-7A
60MB	60.0	.050	.73	9.18	7,500	C-2F
120MB	120.0	.025	.32	4.02	10,000	CC-3A

*LAMP RATED ONLY WITHOUT BASE.

METRIC THIRD ANGLE PROJECTION	DIMENSIONS ARE IN MILLIMETERS TOLERANCE UNLESS OTHERWISE SPECIFIED 1 PL +/- 0.2 2 PL +/- 0.20 ANGLE +/- 0	JKL COMPONENTS CORPORATION			
		TITLE T-2 1/2 MINIATURE TELEPHONE BAYONET LAMP			
DRAWN BY L. WENGSTROM	APPVD BY L.R.	DATE 5/25/10	SIZE A	FSCM NO. 55335	DRAWING NO. TELEPHONE BAYONET T-2 1/2
- CAD DRAWING - MANUAL REVISIONS NOT PERMITTED			SCALE NONE	RELEASED DATE 10/11/00	REVISION DATE 5/25/10
REV. NO.	DESCRIPTION/ECO NUMBER	APPVD DATE	REV. NO. A	SHEET 1 OF 1	