



Chipsmall Limited consists of a professional team with an average of over 10 year of expertise in the distribution of electronic components. Based in Hongkong, we have already established firm and mutual-benefit business relationships with customers from,Europe,America and south Asia,supplying obsolete and hard-to-find components to meet their specific needs.

With the principle of “Quality Parts,Customers Priority,Honest Operation,and Considerate Service”,our business mainly focus on the distribution of electronic components. Line cards we deal with include Microchip,ALPS,ROHM,Xilinx,Pulse,ON,Everlight and Freescale. Main products comprise IC,Modules,Potentiometer,IC Socket,Relay,Connector.Our parts cover such applications as commercial,industrial, and automotives areas.

We are looking forward to setting up business relationship with you and hope to provide you with the best service and solution. Let us make a better world for our industry!



Contact us

Tel: +86-755-8981 8866 Fax: +86-755-8427 6832

Email & Skype: info@chipsmall.com Web: www.chipsmall.com

Address: A1208, Overseas Decoration Building, #122 Zhenhua RD., Futian, Shenzhen, China



Vorläufige Daten
preliminary data

Key data

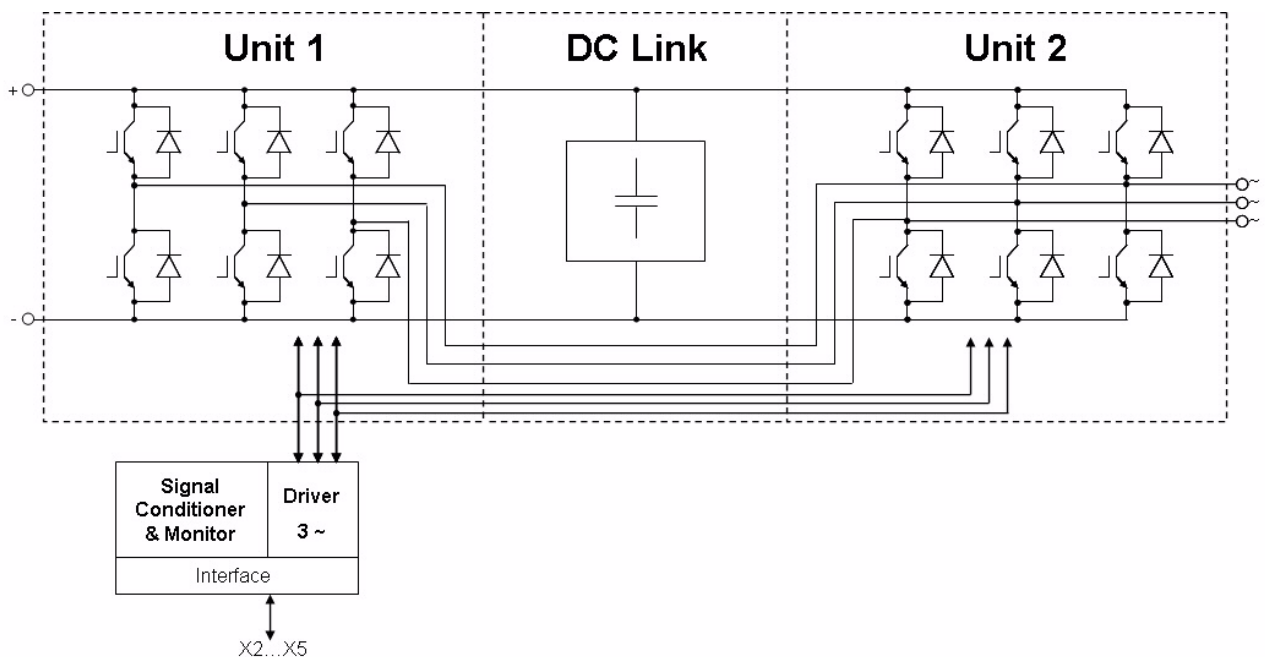
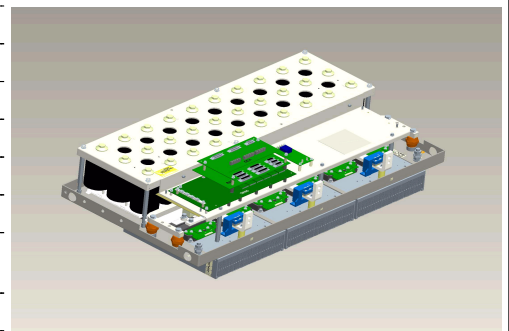
3x 800A rms at 400V rms, forced air (fan not implemented)

General information

Stacks for various inverter application. Semiconductors, heat sinks, capacitors, drivers and sensors included. These are only technical data!

Please read carefully the complete documentation and maintain the proper design environment! Especially note the EMC environment and the controller's functionality.

| | | |
|---------------------------|-----------------------------------------|--------------------|
| Topology | DC Link + B6I | |
| Application / Modulation | Inverter / Sine | |
| Load type | resistive, inductive | |
| Cooling | forced air (fan not implemented) | |
| Market | common industrial, drives, power supply | |
| Implemented sensors | current, voltage, temperature | |
| Semicond. (Unit 1) | none | |
| DC Link | 18.8mF | |
| Semicond. (Unit 2) | IGBT | 6x FF1200R17KE3_B2 |
| Driver signals IGBT | electrical CMOS | |
| Standards | EN50178 | |
| Sales - name | 6MS24017E33G32860 | |
| Internal ID | 32860 | |
| Mechanical drawing number | 32859_MB | |
| Electrical drawing number | ModSTACK B6_01_OEA101_Rev02 | |



| | |
|-----------------------------|---------------------------------|
| prepared by: Hoelbe Oliver | date of publication: 2008-12-08 |
| approved by: Jürgen Schiele | revision: 2.0 |

Technical Information

ModSTACK™

6MS2400R17KE3-3G-C20VTIN



Vorläufige Daten preliminary data

Note

Device without SAD101 and OEA101.

Electrical data

DC Link

| | | | min | typ | max | units |
|----------------------|--------------|----------|-----|------|------|-------|
| Voltage | | V_{DC} | | 932 | 1200 | V |
| Overvoltage shutdown | within 150µs | | | 1250 | | V |

Unit 2 AC

| | | | min | typ | max | units |
|----------------------------------|--------------------------------------------------------------------------------------------------------------------------------------------------------------------------------------------|----------------------|-------|------|-------|------------|
| Voltage | depending on controller | V_{Unit2} | | 400 | | V_{RMS} |
| Continuous current | $V_{Unit2} = 400V_{RMS}$, $V_{DC} = 932V$, $T_{inlet} = 25^{\circ}C$, $T_J \leq 125^{\circ}C$, $f_{Unit2} = 2Hz$, $f_{sw2} = 2500Hz$, $\cos(\phi) = 0,87$ | I_{Unit2} | | | 800 | A_{RMS} |
| Continuous current overload cap. | $T_{inlet} = 25^{\circ}C$, for overload capability 150% for 60s | | | 573 | | A_{RMS} |
| Short time current | $T_{inlet} = 25^{\circ}C$, 10s, every 180s, initial load = $717A_{RMS}$ | I_{Unit2} | | | 896 | A_{RMS} |
| DC current | no rotating field, $T_{inlet} = 25^{\circ}C$ | $I_{Unit2 DC}$ | | | 350,0 | A_{av} |
| Overcurrent shutdown | within 15µs | | | 3800 | | A_{peak} |
| Switching frequency | | f_{sw2} | | | 2500 | Hz |
| Power losses | $V_{Unit2} = 400V$, $V_{DC} = 932V$, $T_{inlet} = 25^{\circ}C$, $T_J \leq 125^{\circ}C$, $f_{Unit2} = 2Hz$, $f_{sw2} = 2500Hz$, $\cos(\phi) = 0,87$, $I_{Unit2} = 800A_{RMS}$ | P_{loss2} | | 9980 | | W |
| Power factor | | $\cos(\phi)_{Unit2}$ | -1,00 | | 1,00 | |

General data

| | | | min | typ | max | units |
|---------------------------------------|----------------------------------------------|----------------|-------------|-----|-----|------------|
| Power losses (PCB and capacitor) | | $P_{loss aux}$ | | | 220 | W |
| EMC test | according to IEC61800-3 at named interfaces | power | V_{Burst} | 2 | | kV |
| | | control | V_{Burst} | 1 | | kV |
| | | aux (24V) | V_{Surge} | 1 | | kV |
| Insulation management is designed for | | V_{Line} | | 690 | | V_{RMS} |
| Insulation test voltage | according to EN50178, $f = 50Hz$, $t = 60s$ | V_{isol} | | 2,5 | | kV_{RMS} |

Important component data

| | | | min | typ | max | units |
|-------------------|--|----------|------------------------|-------|-----|-------|
| DC Link capacitor | | C_{DC} | | 18,80 | | mF |
| | | type | Electrolytic Capacitor | | | |

| | |
|-----------------------------|---------------------------------|
| prepared by: Hoelbe Oliver | date of publication: 2008-12-08 |
| approved by: Jürgen Schiele | revision: 2.0 |

Technical Information

ModSTACK™

6MS2400R17KE3-3G-C20VTIN



Vorläufige Daten preliminary data

Controller interface data

| | | | min | typ | max | units |
|------------------------------------|-----------------------------------------------------------------------------|------------------|---------------------------|------|------|----------|
| Auxiliary voltage | | V_{aux} | 18 | 24 | 30 | V_{av} |
| Auxiliary power requirement | $V_{aux} = 24V_{av}$ | P_{aux} | 40 | | | W |
| Driver and interface board | see separate technical information | | TR110 / DR110 | | | |
| Driver core | | | EiceDRIVER 2ED300C17-S | | | |
| Digital input level | resistor to GND 1,8k Ω , capacitor to GND 4nF, high = on, min 15mA | V_{in} | 0,0 | | 15,0 | V |
| Digital output level | open collector, low = ok, max 15mA | V_{out} | 0,0 | | 15,0 | V |
| Analog current outputs Unit 2 | load max 1mA; at 800A | $V_{ana\ out}$ | 3,99 | 4,07 | 4,15 | V |
| Analog DC Link voltage output | load max 1mA; at 932V | $V_{DC\ out}$ | 6,56 | 6,69 | 6,82 | V |
| Analog temperature output | load max 1mA; at $T_{NTC} = 62^{\circ}C$ correspond to $T_j = 125^{\circ}C$ | $V_{T\ out}$ | 9,21 | 9,40 | 9,59 | V |
| Overtemperature shutdown | at $T_{NTC} = 66^{\circ}C$ correspond to $T_j = 135^{\circ}C$ | $V_{T\ out\ OT}$ | | 10 | | V |
| Overvoltage shutdown reaction time | after overvoltage message by ModSTACK™ interface | | | | 50 | μs |
| Overcurrent shutdown reaction time | after overcurrent message by ModSTACK™ interface | | | | 10 | μs |

Heat sink air cooled / Thermal data

| | | | min | typ | max | units |
|-------------------------------|---------------------------------------------------------------------------------------------------------------------------|-----------------------------|------|-----|-----|-------------|
| Airflow | $T_{Air} = 20^{\circ}C$, $P_{air} = 1013hPa$, dry- and dust free, measured on side of heat sink. according to DIN 41882 | $\Delta V / \Delta t_{Air}$ | 3800 | | | m^3/h |
| Air pressure drop | | Δp_{Air} | | 520 | | Pa |
| Cooling air inlet temperature | heat sink temperature $> -25^{\circ}C$ | T_{inlet} | -25 | | 25 | $^{\circ}C$ |

IGBT data unit 2

| | | | min | typ | max | units |
|------------------------------------------|----------------------------------------------------------|---------------|-----|-----------|-----|-----------|
| Type | assumed | | | | | |
| collector-emitter saturation voltage | $I_c = 1200A$; $V_{ge} = 15V$; $T_{vj} = 125^{\circ}C$ | $V_{CE\ sat}$ | | 2,4 | | V |
| parameter for linear model | $T_{vj} = 25^{\circ}C$ | V_{ce1} | | 1,1 | | V |
| parameter for linear model | $T_{vj} = 25^{\circ}C$ | r_{ce1} | | 0,75 | | $m\Omega$ |
| parameter for linear model | $T_{vj} = 125^{\circ}C$ | V_{ce2} | | 1 | | V |
| parameter for linear model | $T_{vj} = 125^{\circ}C$ | r_{ce2} | | 1,167 | | $m\Omega$ |
| turn-on / turn-off energy loss per pulse | $T_{vj} = 25^{\circ}C$ | E_1 | | 240 / 305 | | mJ |
| turn-on / turn-off energy loss per pulse | $T_{vj} = 125^{\circ}C$ | E_2 | | 350 / 445 | | mJ |
| thermal resistance, junction to case | per IGBT | R_{thjc} | | 0,019 | | K/W |
| thermal resistance, case to heatsink | per IGBT | R_{thch} | | 0,023 | | K/W |

| | |
|-----------------------------|---------------------------------|
| prepared by: Hoelbe Oliver | date of publication: 2008-12-08 |
| approved by: Jürgen Schiele | revision: 2.0 |

Technical Information

ModSTACK™

6MS2400R17KE3-3G-C20VTIN



Vorläufige Daten preliminary data

Diode data unit 2

| | | | min | typ | max | units |
|--------------------------------------|--------------------------------------------------|------------|-----|-------|-----|-------|
| Type | assumed | | | | | |
| forward voltage | $I_F = 1200A; V_{ge} = 0V; T_{vj} = 125^\circ C$ | V_F | | 1,9 | | V |
| parameter for linear model | $T_{vj} = 25^\circ C$ | V_{F1} | | 1,15 | | V |
| parameter for linear model | $T_{vj} = 25^\circ C$ | r_{F1} | | 0,542 | | mΩ |
| parameter for linear model | $T_{vj} = 125^\circ C$ | V_{F2} | | 1 | | V |
| parameter for linear model | $T_{vj} = 125^\circ C$ | r_{F2} | | 0,75 | | mΩ |
| reverse recovery energy | $T_{vj} = 25^\circ C$ | E_{rec1} | | 190 | | mJ |
| reverse recovery energy | $T_{vj} = 125^\circ C$ | E_{rec2} | | 340 | | mJ |
| thermal resistance, junction to case | per Diode | R_{thjc} | | 0,042 | | K/W |
| thermal resistance, case to heatsink | per Diode | R_{thch} | | 0,052 | | K/W |

Environmental conditions

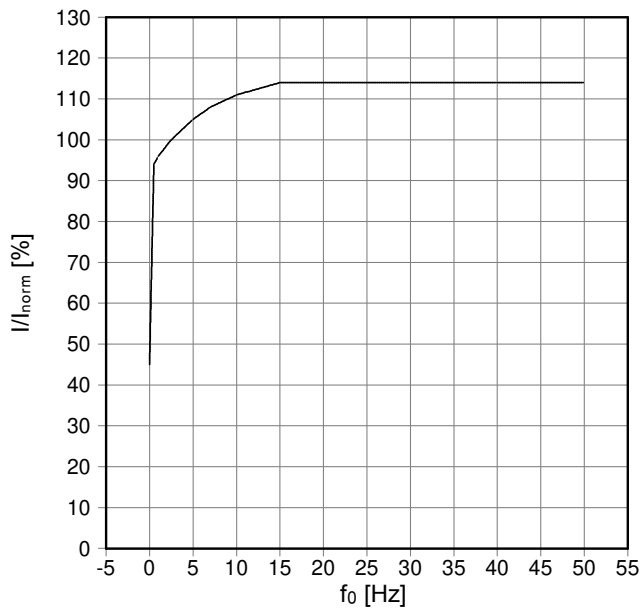
| | | | min | typ | max | units |
|------------------------------------------|-------------------------------------------------|---------------|------|-------|------|------------------|
| Storage temperature | | T_{stor} | -40 | | 65 | °C |
| Ambient temperature | | T_{amb} | -25 | | 55 | °C |
| Operating temperature | see chapter Heat sink air cooled / Thermal data | | | | | |
| Cooling air velocity (PCB and capacitor) | | $V_{Air PCB}$ | 2,0 | | | m/s |
| Air pressure | standard atmosphere | p_{Air} | 900 | | 1100 | hPa |
| Humidity | no condensation | Rel. F | 0 | | 95 | % |
| Installation height | | | 0 | | 1000 | m |
| Vibration | according to EN60068 | | | | 10 | m/s ² |
| Continuous vibration | according to EN60068 | | | | 20 | m/s ² |
| Shock | according to EN60068 | | | | 100 | m/s ² |
| Protection degree | | | | IP00 | | |
| Pollution degree | | | | 2 | | |
| Dimensions | width × depth × height | | 1090 | 596 | 330 | mm |
| Weight with heat sink | approximation | | | 110,0 | | kg |

| | |
|-----------------------------|---------------------------------|
| prepared by: Hoelbe Oliver | date of publication: 2008-12-08 |
| approved by: Jürgen Schiele | revision: 2.0 |

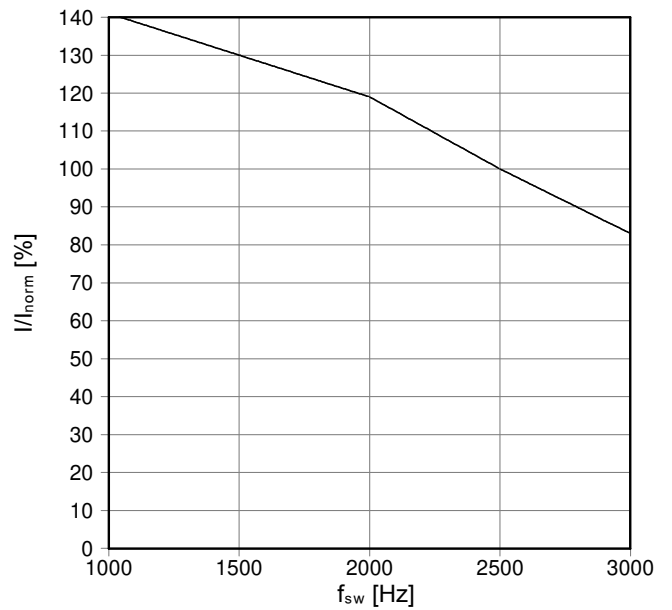


Vorläufige Daten
preliminary data

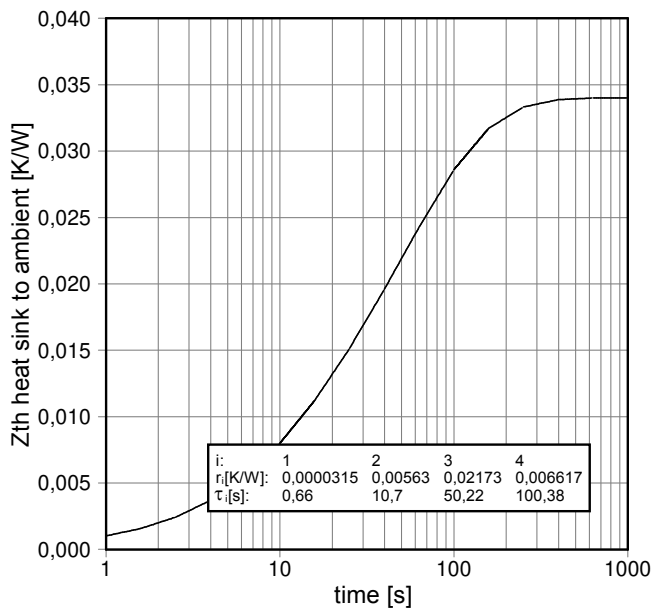
fo - derating curve IGBT (motor)
cos(phi) = 0,87
T_{cool medium} = 25°C



fsw - derating curve IGBT (motor)
cos(phi) = 0,87
T_{cool medium} = 25°C



Transient thermal impedance per module
T_{cool medium} = 25°C



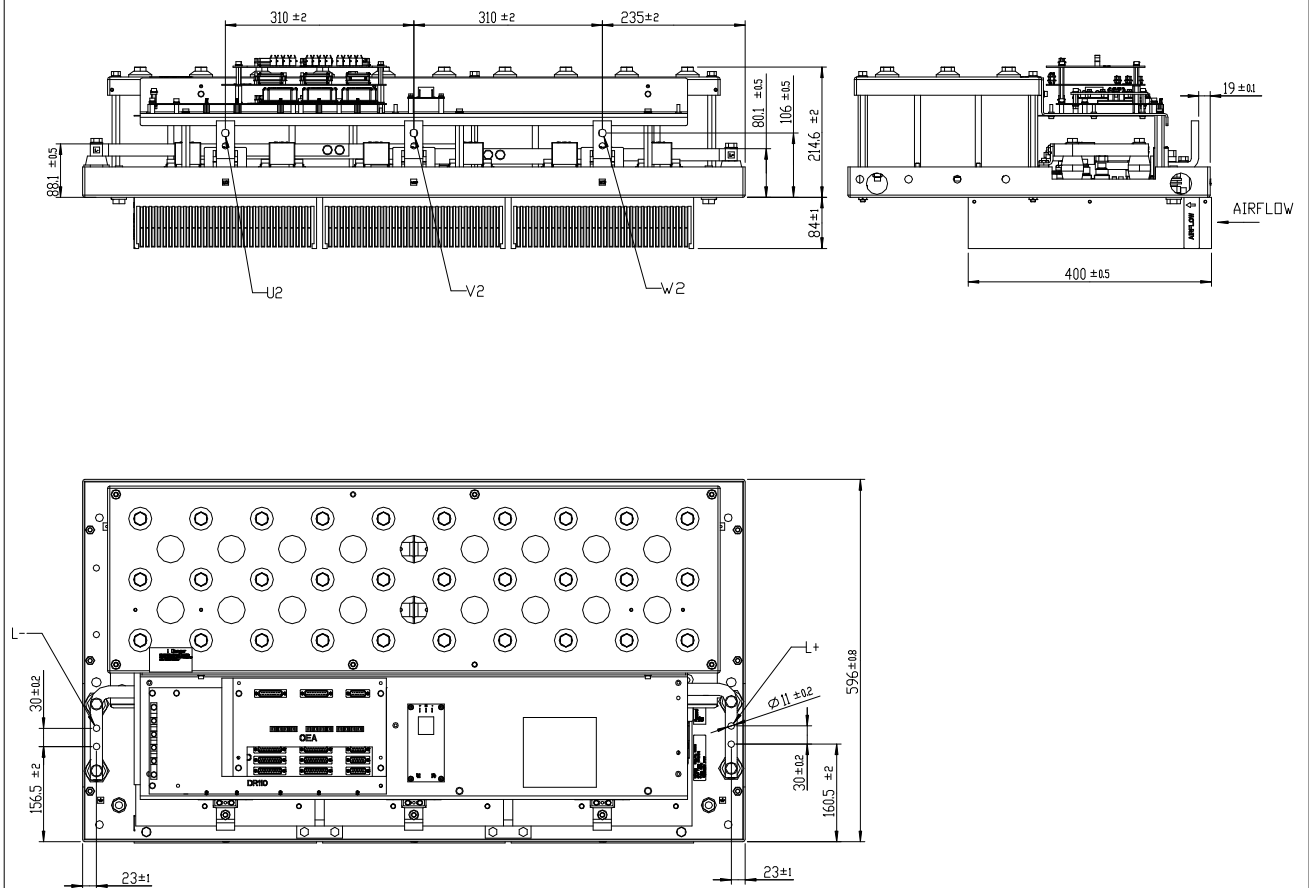
| | |
|-----------------------------|---------------------------------|
| prepared by: Hoelbe Oliver | date of publication: 2008-12-08 |
| approved by: Jürgen Schiele | revision: 2.0 |

Mechanical drawing

6MS...-3G-Cx...

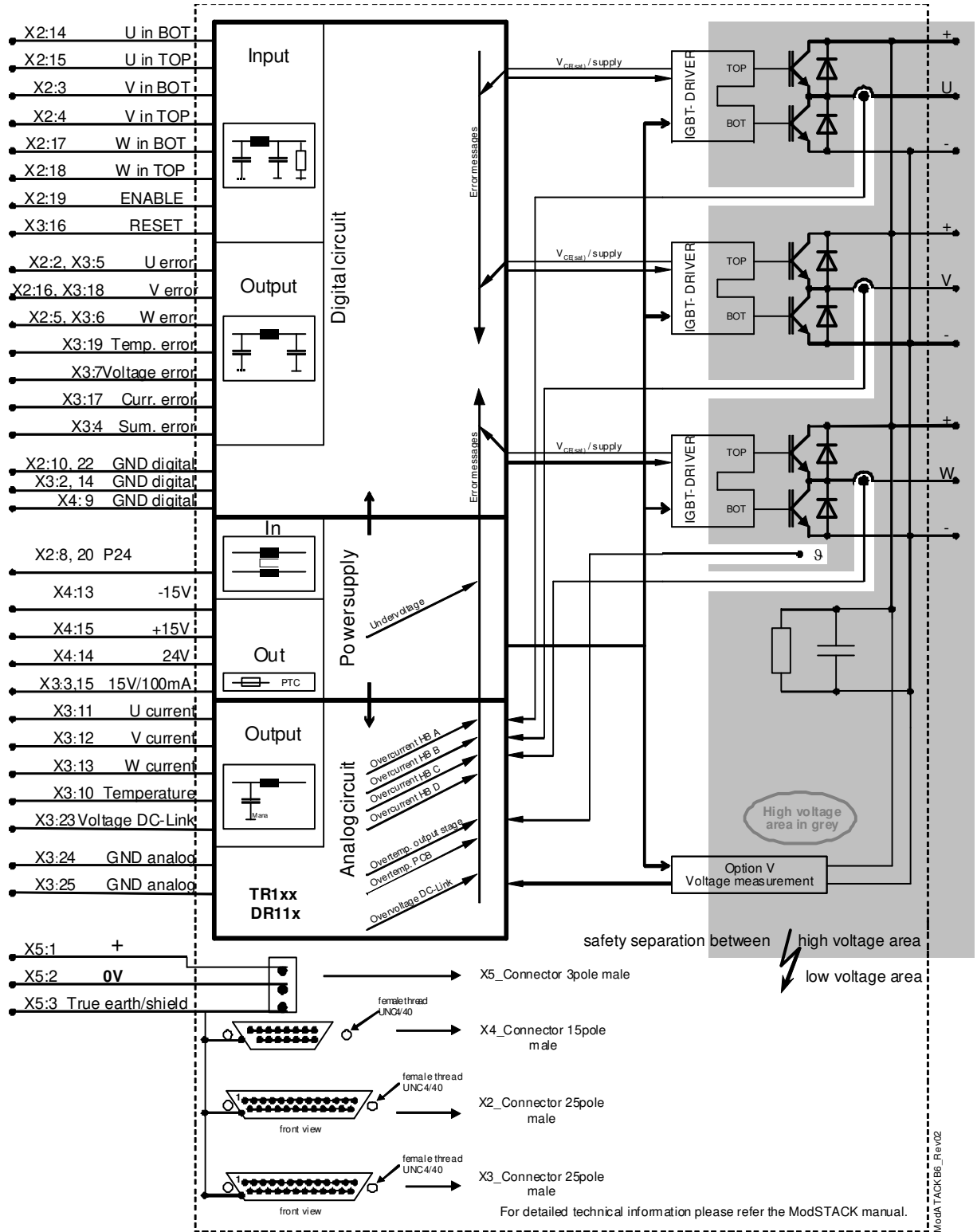
ModSTACK

32859 MB



| | |
|-----------------------------|---------------------------------|
| prepared by: Hoelbe Oliver | date of publication: 2008-12-08 |
| approved by: Jürgen Schiele | revision: 2.0 |

Circuit diagram



| | |
|-----------------------------|---------------------------------|
| prepared by: Hoelbe Oliver | date of publication: 2008-12-08 |
| approved by: Jürgen Schiele | revision: 2.0 |



Nutzungsbedingungen

Die in diesem Produktdatenblatt enthaltenen Daten sind ausschließlich für technisch geschultes Fachpersonal bestimmt. Die Beurteilung der Eignung dieses Produktes für Ihre Anwendung sowie die Beurteilung der Vollständigkeit der bereitgestellten Produktdaten für diese Anwendung obliegt Ihnen bzw. Ihren technischen Abteilungen.

In diesem Produktdatenblatt werden diejenigen Merkmale beschrieben, für die wir eine liefervertragliche Gewährleistung übernehmen. Eine solche Gewährleistung richtet sich ausschließlich nach Maßgabe der im jeweiligen Liefervertrag enthaltenen Bestimmungen. Garantien jeglicher Art werden für das Produkt und dessen Eigenschaften keinesfalls übernommen.

Sollten Sie von uns Produktinformationen benötigen, die über den Inhalt dieses Produktdatenblatts hinausgehen und insbesondere eine spezifische Verwendung und den Einsatz dieses Produktes betreffen, setzen Sie sich bitte mit dem für Sie zuständigen Vertriebsbüro in Verbindung (siehe www.infineon.com, Vertrieb&Kontakt). Für Interessenten halten wir Application Notes bereit.

Aufgrund der technischen Anforderungen könnte unser Produkt gesundheitsgefährdende Substanzen enthalten. Bei Rückfragen zu den in diesem Produkt jeweils enthaltenen Substanzen setzen Sie sich bitte ebenfalls mit dem für Sie zuständigen Vertriebsbüro in Verbindung.

Sollten Sie beabsichtigen, das Produkt in Anwendungen der Luftfahrt, in gesundheits- oder lebensgefährdenden oder lebenserhaltenden Anwendungsbereichen einzusetzen, bitten wir um Mitteilung. Wir weisen darauf hin, dass wir für diese Fälle

- die gemeinsame Durchführung eines Risiko- und Qualitätsassessments;
- den Abschluss von speziellen Qualitätssicherungsvereinbarungen;
- die gemeinsame Einführung von Maßnahmen zu einer laufenden Produktbeobachtung dringend empfehlen und gegebenenfalls die Belieferung von der Umsetzung solcher Maßnahmen abhängig machen.

Soweit erforderlich, bitten wir Sie, entsprechende Hinweise an Ihre Kunden zu geben.

Inhaltliche Änderungen dieses Produktdatenblatts bleiben vorbehalten.

Terms & Conditions of usage

The data contained in this product data sheet is exclusively intended for technically trained staff. You and your technical departments will have to evaluate the suitability of the product for the intended application and the completeness of the product data with respect to such application.

This product data sheet is describing the characteristics of this product for which a warranty is granted. Any such warranty is granted exclusively pursuant the terms and conditions of the supply agreement. There will be no guarantee of any kind for the product and its characteristics.

Should you require product information in excess of the data given in this product data sheet or which concerns the specific application of our product, please contact the sales office, which is responsible for you (see www.infineon.com, sales&contact). For those that are specifically interested we may provide application notes.

Due to technical requirements our product may contain dangerous substances. For information on the types in question please contact the sales office, which is responsible for you.

Should you intend to use the Product in aviation applications, in health or live endangering or life support applications, please notify. Please note, that for any such applications we urgently recommend

- to perform joint Risk and Quality Assessments;
- the conclusion of Quality Agreements;
- to establish joint measures of an ongoing product survey, and that we may make delivery depended on the realization of any such measures.

If and to the extent necessary, please forward equivalent notices to your customers.

Changes of this product data sheet are reserved.

| | |
|-----------------------------|---------------------------------|
| prepared by: Hoelbe Oliver | date of publication: 2008-12-08 |
| approved by: Jürgen Schiele | revision: 2.0 |



**Vorläufige Daten
preliminary data**

Sicherheitshinweise

Bevor Sie mit der Installation und dem Betrieb der Baugruppe beginnen, lesen Sie bitte sorgfältig alle Sicherheitshinweise, Warnungen und beachten Sie die angebrachten Warnschilder. Vergewissern Sie sich, dass alle Warnschilder in leserlichem Zustand verbleiben und fehlende oder beschädigte Schilder ersetzt werden.

Safety Instructions

Prior to installation and operation, all safety notices and warnings and all warning signs attached to the equipment have to be carefully read. Make sure that all warning signs remain in a legible condition and that missing or damaged signs are replaced. To installation and operation, all safety notices and warnings and all warning signs attached to the equipment have to be carefully read. Make sure that all warning signs remain in a legible condition and that missing or damaged signs are replaced.

| | |
|-----------------------------|---------------------------------|
| prepared by: Hoelbe Oliver | date of publication: 2008-12-08 |
| approved by: Jürgen Schiele | revision: 2.0 |