



Chipsmall Limited consists of a professional team with an average of over 10 year of expertise in the distribution of electronic components. Based in Hongkong, we have already established firm and mutual-benefit business relationships with customers from,Europe,America and south Asia,supplying obsolete and hard-to-find components to meet their specific needs.

With the principle of “Quality Parts,Customers Priority,Honest Operation,and Considerate Service”,our business mainly focus on the distribution of electronic components. Line cards we deal with include Microchip,ALPS,ROHM,Xilinx,Pulse,ON,Everlight and Freescale. Main products comprise IC,Modules,Potentiometer,IC Socket,Relay,Connector.Our parts cover such applications as commercial,industrial, and automotives areas.

We are looking forward to setting up business relationship with you and hope to provide you with the best service and solution. Let us make a better world for our industry!



Contact us

Tel: +86-755-8981 8866 Fax: +86-755-8427 6832

Email & Skype: info@chipsmall.com Web: www.chipsmall.com

Address: A1208, Overseas Decoration Building, #122 Zhenhua RD., Futian, Shenzhen, China

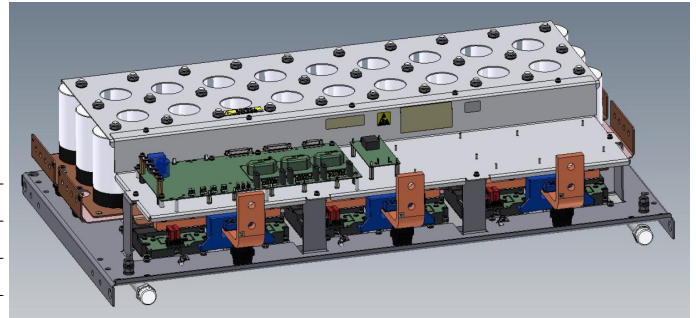


General information

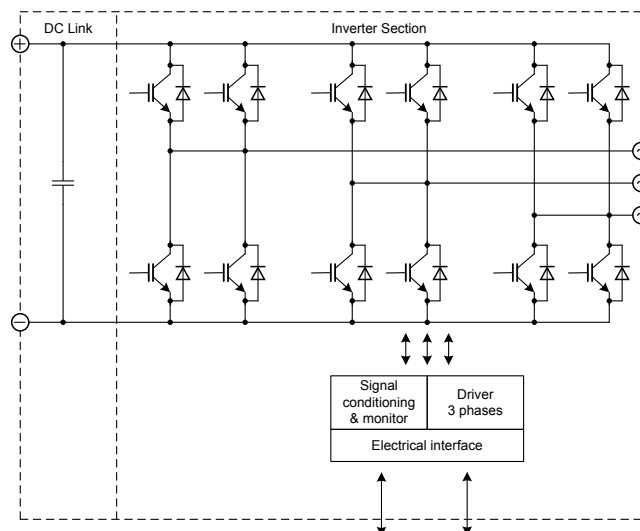
**IGBT Stack for typical voltages up to 690 V_{RMS}
Rated output current 1175_{RMS}**

- High power converter
- Wind power
- Motor drives

- IHM module with IGBT4
- AISiC baseplate



Topology	B6I
Application	Inverter
Load type	Resistive, inductive
Semiconductor (Inverter Section)	6x FF1200R17KP4_B2
DC Link	12 mF
Heatsink	Water cooled
Implemented sensors	Current, voltage, temperature
Driver signals IGBT	Electrical
Sales - name	6MS24017P43W41646
SP - No.	SP001420674



prepared by: OW	date of publication: 2017-06-27
approved by: YZ	revision: 2.0

Preliminary data

Absolute maximum rated values

Collector-emitter voltage	IGBT; $T_{vj} = 25^{\circ}\text{C}$	V_{CES}	1700	V
Repetitive peak reverse voltage	Diode; $T_{vj} = 25^{\circ}\text{C}$	V_{RRM}	1700	V
DC link voltage	No switching; $t=5\text{s}$, once a day	V_{DC}	1450	V
Insulation management	according to installation height of 2000 m	V_{line}	690	V_{RMS}
Insulation test voltage	according to EN 50178, $f = 50\text{ Hz}$, $t = 5\text{ s}$	V_{ISOL}	2.5	kV_{RMS}
Junction temperature	under switching conditions	T_{vjop}	150	$^{\circ}\text{C}$
Storage temperature min.		T_{stor}	-40	$^{\circ}\text{C}$
Storage temperature max.		T_{stor}	65	$^{\circ}\text{C}$
Operational ambient temperature min.		T_{amb}	-25	$^{\circ}\text{C}$
Operational ambient temperature max.		T_{amb}	55	$^{\circ}\text{C}$
Auxiliary voltage		V_{aux}	30	V
Switching frequency inverter section		f_{sw2}	3.5	kHz

Notes

Further maximum ratings are specified in the following dedicated sections

Characteristic values

DC Link

			min.	typ.	max.	
Rated voltage	Continuous mode	V_{DC}		1050		V
Over voltage shutdown	within 150 μs			1300		V
Capacitor	1 s, 30 p, rated tol. $\pm 10\%$	C_{DC}		12		mF
		type	Foil			
Maximum ripple current	per device, $T_{amb} = 55^{\circ}\text{C}$	I_{ripple}			49	A_{RMS}
Balance or discharge resistor	per DC link unit	R_b	6			$\text{k}\Omega$

Notes

Operation above 1100 V subject to reduced operating time according to EN 61071
Reduce short circuit protection over 1200V

Inverter Section

			min.	typ.	max.	
Rated continuous current	$V_{DC} = 1050\text{ V}$, $V_{AC} = 690\text{ V}_{RMS}$, $\cos(\varphi) = 0.9$, $f_{AC\ sine} = 50\text{ Hz}$, $f_{sw} = 2600\text{ Hz}$, $T_{inlet} = 50^{\circ}\text{C}$	I_{AC}		1175		A_{RMS}
Rated continuous current for 150% overload capability	$I_{AC\ 150\%} = 1100\text{ A}_{RMS}$, $t_{on\ over} = 0.01\text{ s}$, $t_{recovery} = 135\text{ s}$	$I_{AC\ over1}$			1767	A_{RMS}
Over current shutdown	within 15 μs	$I_{AC\ OC}$		2500		A_{peak}
Power losses	$I_{AC} = 1175\text{ A}$, $V_{DC} = 1050\text{ V}$, $V_{AC} = 690\text{ V}_{RMS}$, $\cos(\varphi) = 0.9$, $f_{AC\ sine} = 50\text{ Hz}$, $f_{sw} = 2600\text{ Hz}$, $T_{inlet} = 50^{\circ}\text{C}$	P_{loss}		14500		W

Inverter Section (specific condition)

			min.	typ.	max.	
Specific continuous current	$V_{DC} = 1050\text{ V}$, $V_{AC} = 690\text{ V}_{RMS}$, $\cos(\varphi) = -0.9$, $f_{AC\ sine} = 12\text{ Hz}$, $f_{sw} = 2100\text{ Hz}$, $T_{inlet} = 50^{\circ}\text{C}$, $T_j \leq 150^{\circ}\text{C}$	I_{ACsp}		1400		A_{RMS}

prepared by: OW	date of publication: 2017-06-27
approved by: YZ	revision: 2.0

Preliminary data

Controller interface

Driver and interface board	ref. to separate Application Note	DR112				
		min.	typ.	max.		
Auxiliary voltage		V_{aux}	18	24	30	V
Auxiliary power requirement	$V_{aux} = 24\text{ V}$	P_{aux}		40		W
Digital input level	resistor to GND 1.8 k Ω , capacitor to GND 4 nF, logic high = on, min. 15 mA	$V_{in\ low}$	0		4	V
		$V_{in\ high}$	11		15	V
Digital output level	open collector, logic low = no fault, max. 15 mA	$V_{out\ low}$	0		1.5	V
		$V_{out\ high}$		15		V
Analog current sensor output inverter section	load max 1 mA, @ 1175 A_{RMS}	$V_{IU\ ana2}$ $V_{IV\ ana2}$ $V_{IW\ ana2}$		3.6		V
Analog DC link voltage sensor output	load max 1 mA, @ 1100 V	$V_{DC\ ana}$		7.6		V
Analog temperature sensor output inverter section (NTC)	@ $T_{NTC} = 72\text{ }^{\circ}\text{C}$, corresponds to $T_j = 138\text{ }^{\circ}\text{C}$ at rated conditions	$V_{Theta\ NTC2}$		8.6		V
Analog temperature sensor output inverter section (Simulated)	@ $T_{NTC} = 72\text{ }^{\circ}\text{C}$, corresponds to $T_j = 138\text{ }^{\circ}\text{C}$ at rated conditions	$V_{Theta\ sim2}$		8.7		V
Over temperature shutdown inverter section	load max 1 mA	$V_{Error\ OT2}$		10		V
Minimum on time (IGBT)		$t_{on\ min}$	5			μs
Minimum off time (IGBT)		$t_{off\ min}$	5			μs

System data

		min.	typ.	max.		
EMC robustness	according to IEC 61800-3 at named interfaces	power	V_{Burst}	2		kV
		control	V_{Burst}	1		kV
		aux (24V)	V_{surge}	1		kV
Storage temperature		T_{stor}	-40		65	$^{\circ}\text{C}$
Operational ambient temperature	PCB, DC link capacitor, bus bar, excluding cooling medium	$T_{op\ amb}$	-25		55	$^{\circ}\text{C}$
Cooling air velocity	PCB, DC link capacitor, bus bar, standard atmosphere	V_{air}	2			m/s
Humidity	no condensation	Rel. F	0		85	%
Vibration	according to IEC 60721				10	m/s^2
Shock	according to IEC 60721				100	m/s^2
Protection degree			IP00			
Pollution degree			2			
Dimensions	width x depth x height		1090	625	250	mm
Weight				90		kg

prepared by: OW	date of publication: 2017-06-27
approved by: YZ	revision: 2.0



Preliminary data

Heatsink water cooled

			min.	typ.	max.	
Water flow	according to coolant specification from Infineon	$\Delta V/\Delta t$	35			dm ³ /min
Water pressure					8	bar
Coolant inlet temperature		T _{inlet}	-40		45	°C
Thermal resistance heatsink to ambient	per switch	R _{th,ha}		0.024		K/W
Cooling channel material			Aluminum			

Notes

Composition of coolant: Water and 52 vol. % Antifrogen N

Overview of optional components

	Unit 1 (not installed)	Inverter Section	Unit 3 (not installed)
Voltage sensor		x	
Current sensor		x	
Temperature sensor		x	
Temperature simulation		x	
DC link capacitors		x	
Collector-emitter Active Clamping		x	

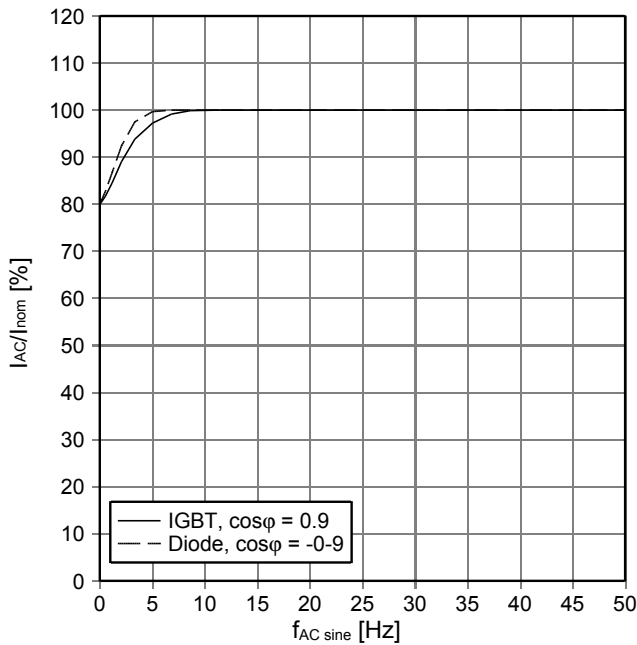
Notes

Setting of Active Clamping TVS-Diodes: V_Z = 1200V/1600V MA111. Reduce short circuit protection above 1200V DC.

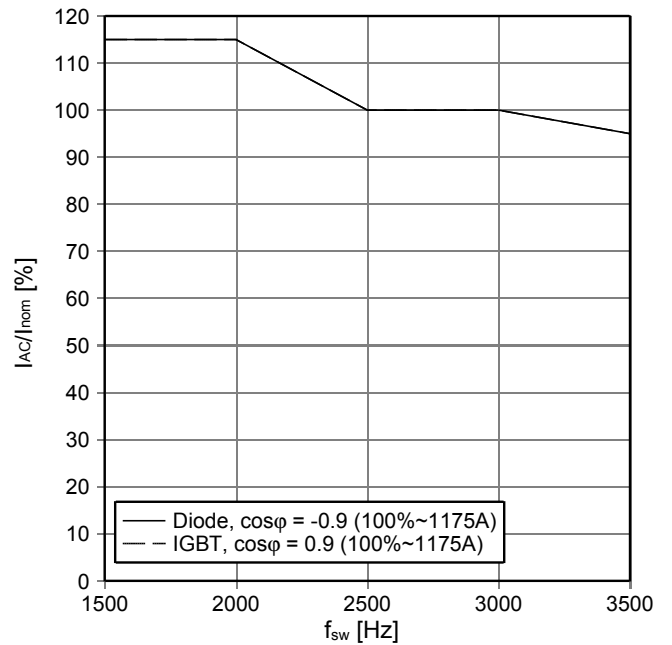
prepared by: OW	date of publication: 2017-06-27
approved by: YZ	revision: 2.0

Preliminary data

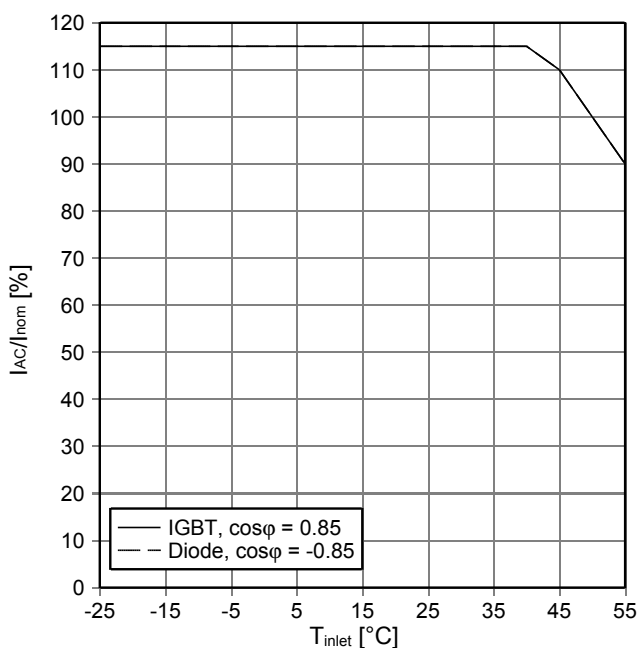
$f_{AC\ sine}$ - derating curve IGBT (motor), Diode (generator)
 $V_{DC} = 1050\ V$, $V_{AC} = 690\ V$, $f_{sw} = 2.6\ kHz$, $\cos\phi = +/-\ 0.9$
 $T_{inlet} = 50\ ^\circ C$ and nom. cooling conditions



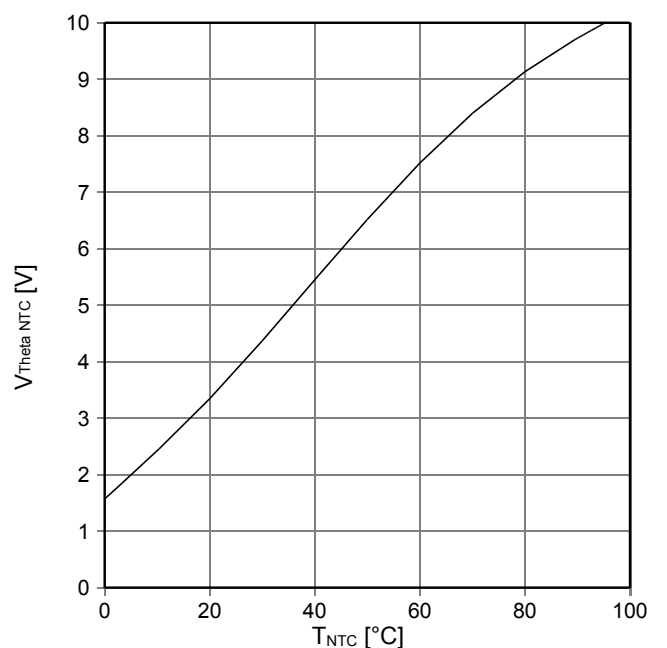
f_{sw} - derating curve IGBT (motor), Diode (generator)
 $V_{DC} = 1050\ V$, $V_{AC} = 690\ V$, $f_{AC\ sine} = 50/12\ Hz$, $\cos\phi = +/-\ 0.9$
 $T_{inlet} = 50\ ^\circ C$ and nom. cooling conditions



T_{inlet} - derating curve IGBT (motor), Diode (generator)
 $V_{DC} = 1050\ V$, $V_{AC} = 690\ V_{RMS}$, $f_{AC\ sine} = 50\ Hz$, $\cos\phi = 0.9$
 nom. cooling conditions



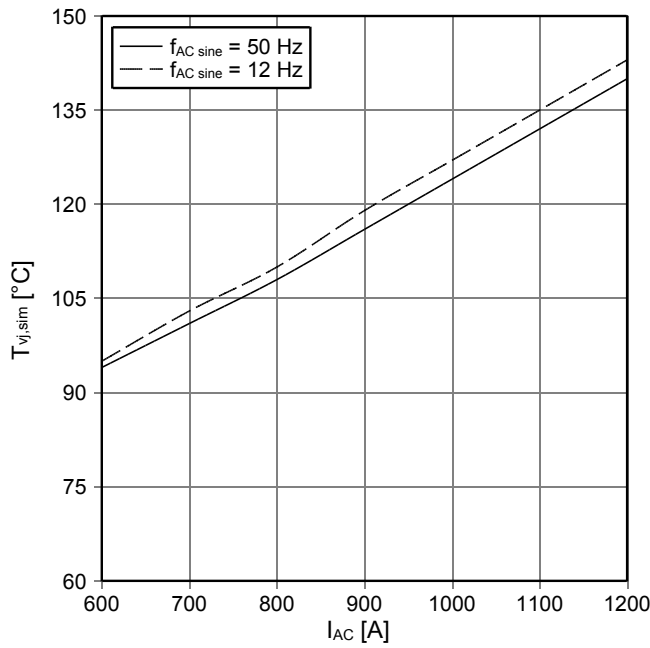
Analog temperature sensor output $V_{Theta\ NTC}$
 Sensing NTC of heatsink



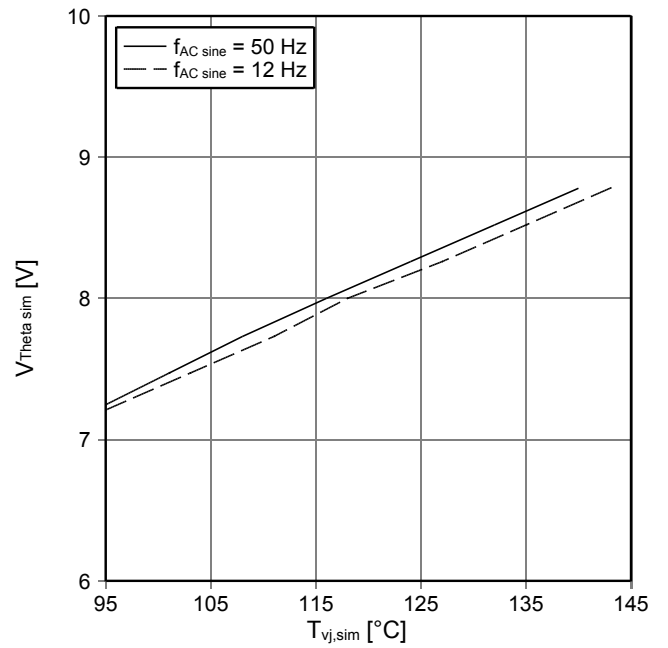
prepared by: OW	date of publication: 2017-06-27
approved by: YZ	revision: 2.0

Preliminary data

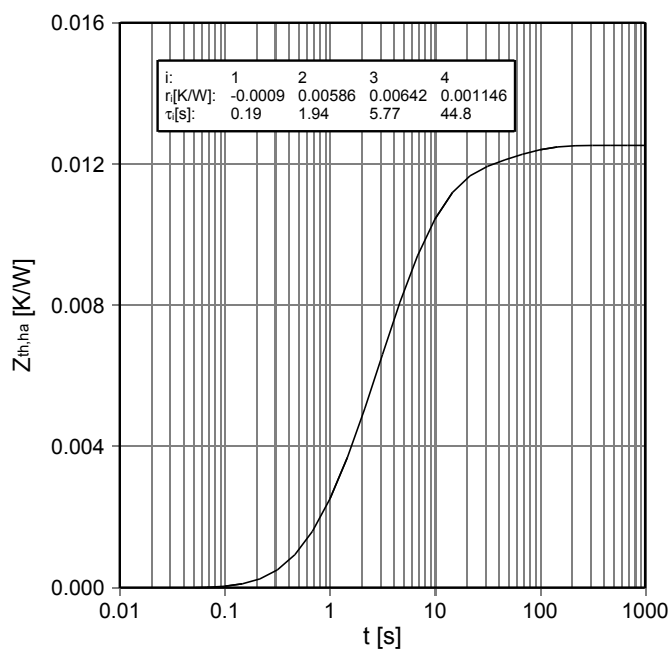
$T_{vj, sim}$ vs. I_{AC} - Simulated junction temperatur
 $V_{DC} = 1050\text{ V}$, $V_{AC} = 690\text{ V}_{RMS}$, $f_{sw} = 2.6\text{ kHz}$,
 $T_{inlet} = 50\text{ }^{\circ}\text{C}$ and nom. cooling conditions



Analog temperature sensor output $V_{Theta\ sim}$
 $V_{DC} = 1050\text{ V}$, $V_{AC} = 690\text{ V}_{RMS}$, $f_{sw} = 2.6\text{ kHz}$,
 nom. cooling conditions



$Z_{th, ha}$ - thermal impedance heatsink to ambient per switch
 nom. cooling conditions



prepared by: OW	date of publication: 2017-06-27
approved by: YZ	revision: 2.0

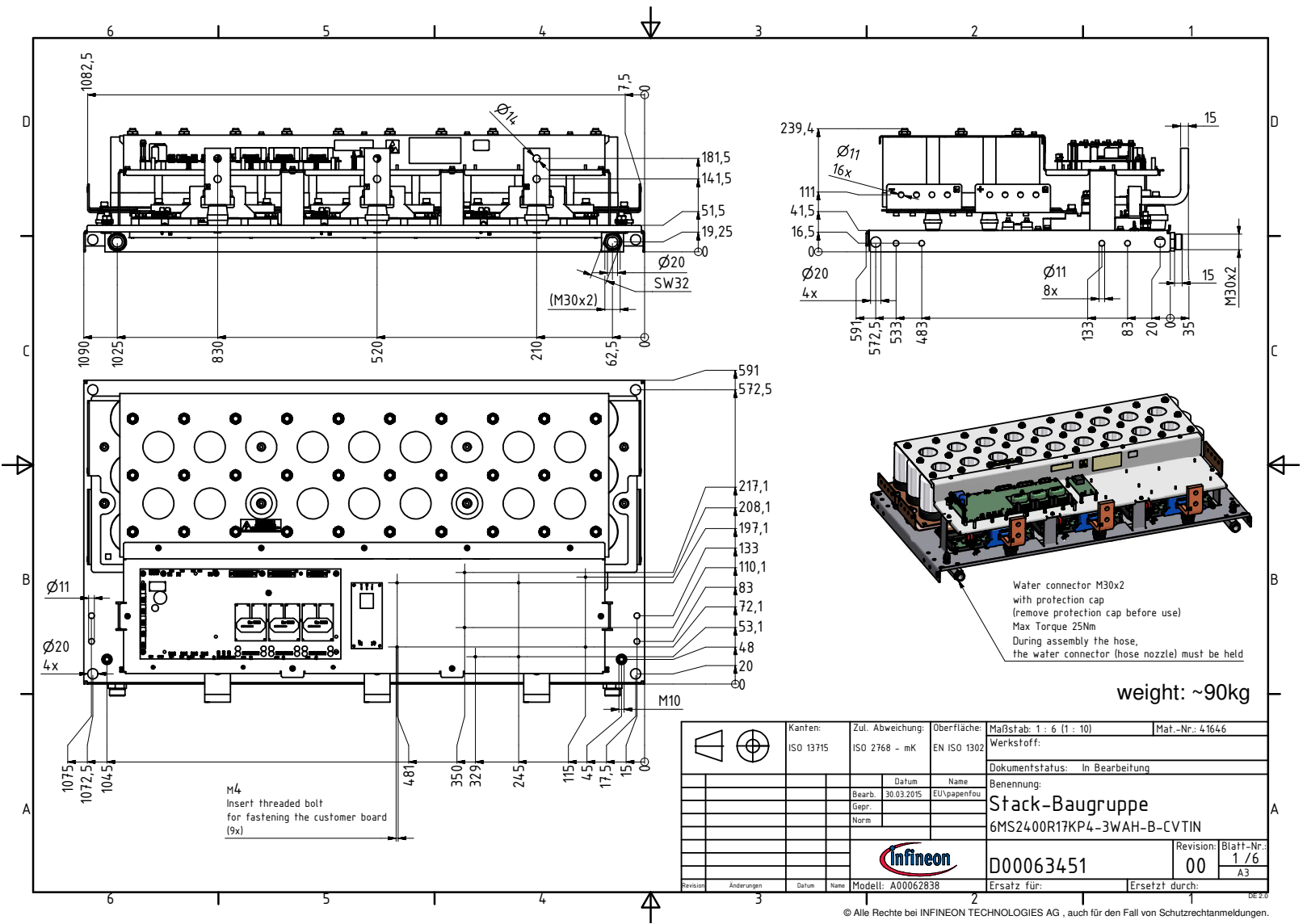
Technical Information

6MS24017P43W41646



Preliminary data

Mechanical drawing

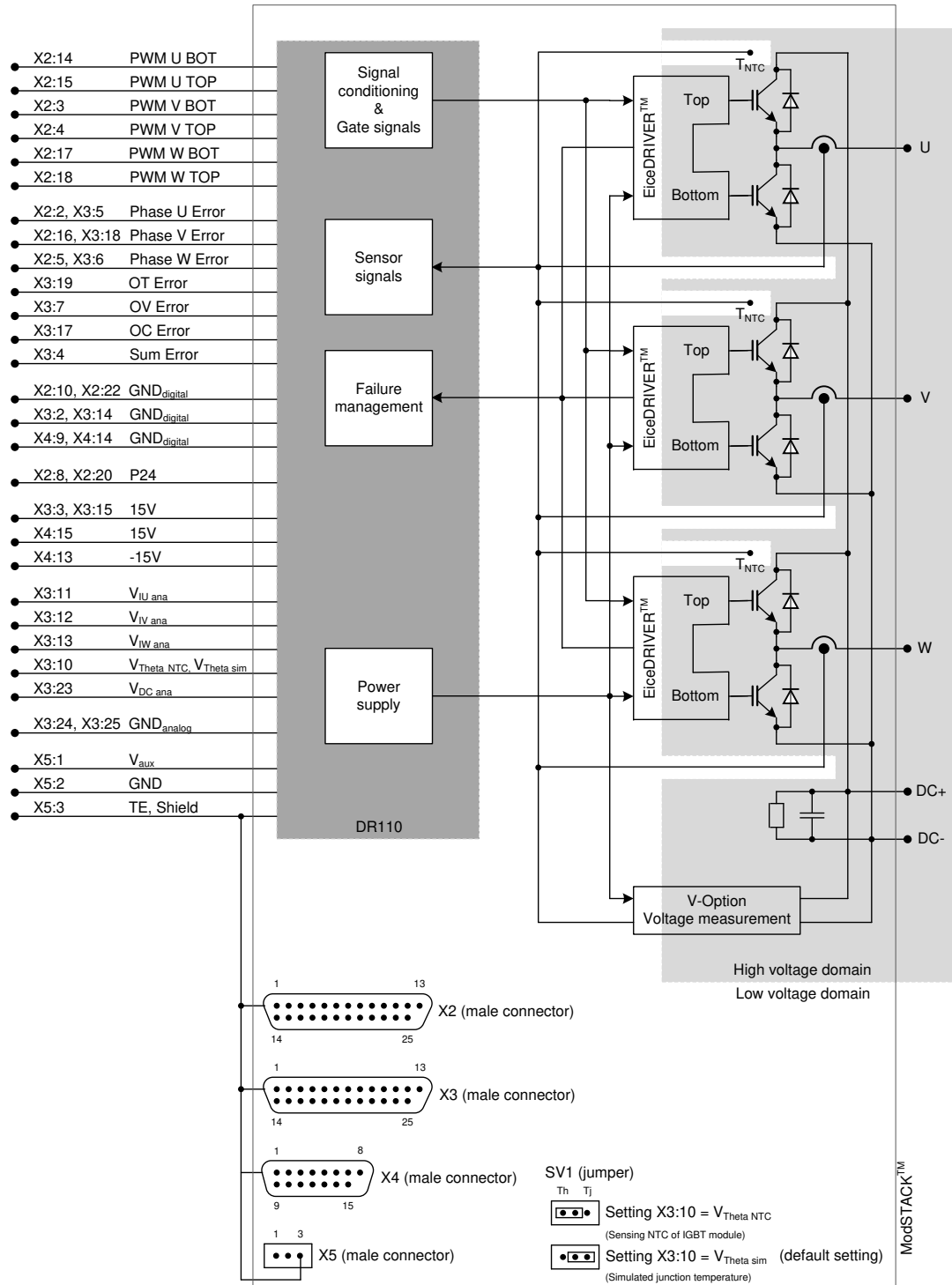


Kanten: ISO 13715	Zul. Abweichung: ISO 2768 - mK	Oberfläche: EN ISO 1302	Maßstab: 1 : 6 (1 : 10)	Mat.-Nr.: 41646
	Werkstoff:			
Dokumentstatus: In Bearbeitung				
Benennung: Stack-Baugruppe 6MS2400R17KP4-3WAH-B-CVTIN				
Modell: A00062838			D00063451	Revision: 00
Ersatz für:			Ersetzt durch:	
Revisum	Änderungen	Datum	Name	Blatt-Nr.: 1/6 A3

© Alle Rechte bei INFINEON TECHNOLOGIES AG, auch für den Fall von Schutzrechtsanmeldungen.

prepared by: OW
approved by: YZ
date of publication: 2017-06-27
revision: 2.0

Circuit diagram



prepared by: OW	date of publication: 2017-06-27
approved by: YZ	revision: 2.0



Preliminary data

Terms & Conditions of usage

The data contained in this product data sheet is exclusively intended for technically trained staff. You and your technical departments will have to evaluate the suitability of the product for the intended application and the completeness of the product data with respect to such application.

This product data sheet is describing the characteristics of this product for which a warranty is granted. Any such warranty is granted exclusively pursuant the terms and conditions of the supply agreement. There will be no guarantee of any kind for the product and its characteristics.

Should you require product information in excess of the data given in this product data sheet or which concerns the specific application of our product, please contact the sales office, which is responsible for you (See www.infineon.com, sales&contact). For those that are specifically interested we may provide application notes.

Due to technical requirements our product may contain dangerous substances. For information on the types in question please contact the sales office, which is responsible for you.

Should you intend to use the Product in aviation applications, in health or live endangering or life support applications, please notify. Please note, that for any such applications we urgently recommend

- to perform joint Risk and Quality Assessments;
- the conclusion of Quality Agreements;
- to establish joint measures of an ongoing product survey, and that we may make delivery depended on the realization of any such measures.

If and to the extent necessary, please forward equivalent notices to your customers.

Changes of this product data sheet are reserved.

Safety Instructions

Prior to installation and operation, all safety notices and warnings and all warning signs attached to the equipment have to be carefully read. Make sure that all warning signs remain in a legible condition and that missing or damaged signs are replaced. To installation and operation, all safety notices and warnings and all warning signs attached to the equipment have to be carefully read. Make sure that all warning signs remain in a legible condition and that missing or damaged signs are replaced.

prepared by: OW	date of publication: 2017-06-27
approved by: X	revision: 20