



Chipsmall Limited consists of a professional team with an average of over 10 year of expertise in the distribution of electronic components. Based in Hongkong, we have already established firm and mutual-benefit business relationships with customers from,Europe,America and south Asia,supplying obsolete and hard-to-find components to meet their specific needs.

With the principle of “Quality Parts,Customers Priority,Honest Operation,and Considerate Service”,our business mainly focus on the distribution of electronic components. Line cards we deal with include Microchip,ALPS,ROHM,Xilinx,Pulse,ON,Everlight and Freescale. Main products comprise IC,Modules,Potentiometer,IC Socket,Relay,Connector.Our parts cover such applications as commercial,industrial, and automotives areas.

We are looking forward to setting up business relationship with you and hope to provide you with the best service and solution. Let us make a better world for our industry!



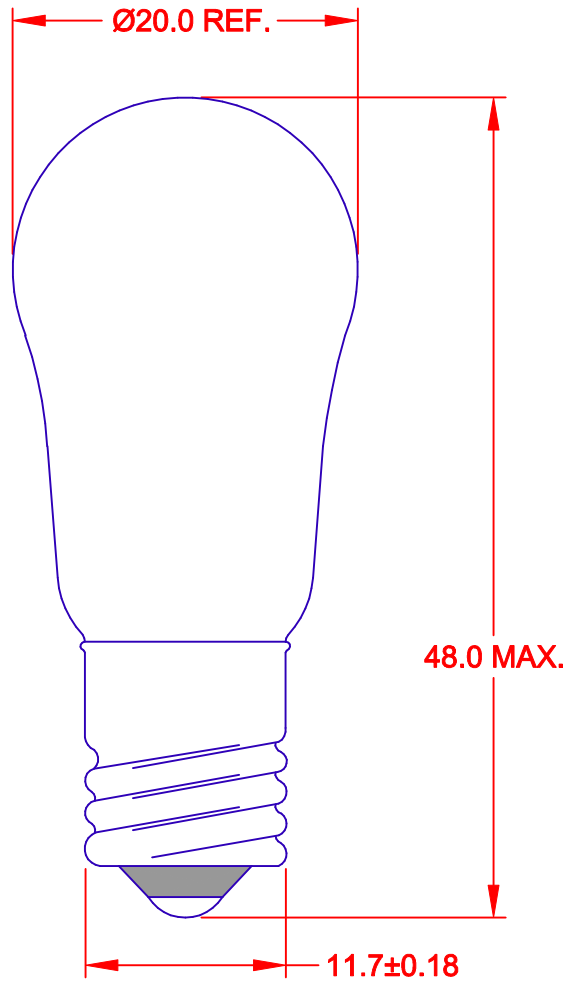
Contact us

Tel: +86-755-8981 8866 Fax: +86-755-8427 6832

Email & Skype: info@chipsmall.com Web: www.chipsmall.com

Address: A1208, Overseas Decoration Building, #122 Zhenhua RD., Futian, Shenzhen, China





JKL LAMP NUMBER	VOLTS RATED	WATTS	INITIAL MSCP	INITIAL LUMENS	AVERAGE LIFE HRS.	FILAMENT TYPE
6S6-12V	12	6	3.58	45.0	1,500	C-2V
6S6-30V	30	6	3.98	50.0	1,500	C-2V
6S6-120V	120	6	3.18	40.0	1,500	C-7A
6S6-145V	145	6	3.18	40.0	1,500	C-7A
6S6-155V	155	6	3.18	40.0	1,500	C-7A
10S6-230V	230	10	5.97	75.0	1,500	C-1
10S6-250V	250	10	5.97	75.0	1,500	C-1

METRIC

DIMENSIONS ARE IN MILLIMETERS

TOLERANCE UNLESS OTHERWISE SPECIFIED

1 PL +/- 0.2

2 PL +/- 0.20

ANGLE +/- 0

THIRD ANGLE PROJECTION

DRAWN BY: L. WENGSTROM

APPV'D BY: Q.C.

DATE: 3/1/01

- CAD DRAWING -

MANUAL REVISIONS NOT PERMITTED

JKL COMPONENTS CORPORATION

TITLE: **S-6 MINIATURE CANDELABRA SCREW BASE LAMP**

REV. NO.	DESCRIPTION/ECO NUMBER	APPV'D DATE	SCALE	SIZE	FSCM NO.	DRAWING NO.	RELEASED DATE	REVISION DATE	REV. NO.	SHEET
		3/1/01	NONE	A	55335	SCREW BASE CANDELABRA S-6	3/1/01			1 OF 1