



Chipsmall Limited consists of a professional team with an average of over 10 year of expertise in the distribution of electronic components. Based in Hongkong, we have already established firm and mutual-benefit business relationships with customers from,Europe,America and south Asia,supplying obsolete and hard-to-find components to meet their specific needs.

With the principle of "Quality Parts,Customers Priority,Honest Operation,and Considerate Service",our business mainly focus on the distribution of electronic components. Line cards we deal with include Microchip,ALPS,ROHM,Xilinx,Pulse,ON,Everlight and Freescale. Main products comprise IC,Modules,Potentiometer,IC Socket,Relay,Connector.Our parts cover such applications as commercial,industrial, and automotives areas.

We are looking forward to setting up business relationship with you and hope to provide you with the best service and solution. Let us make a better world for our industry!



## Contact us

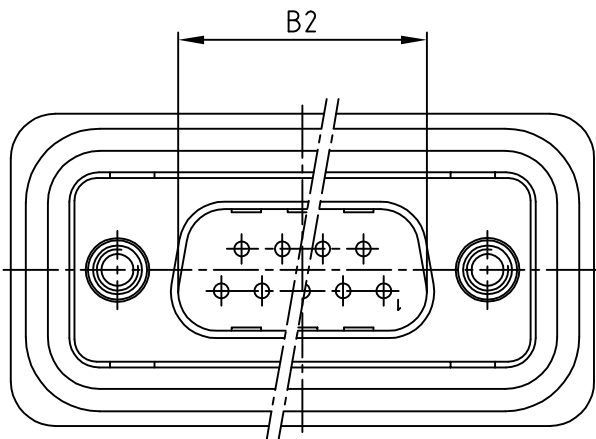
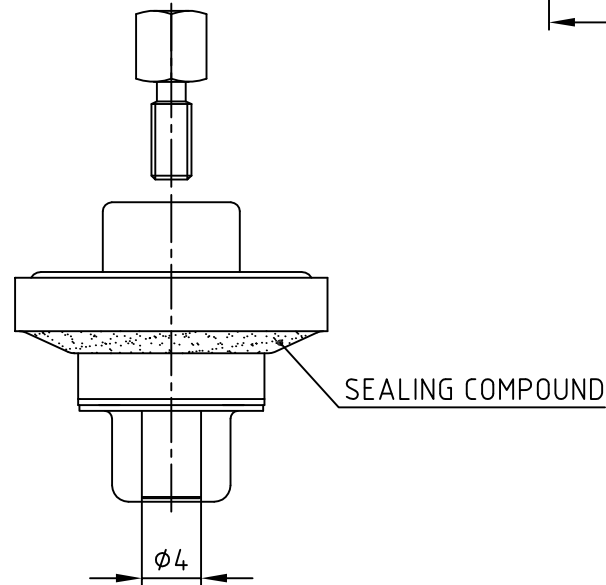
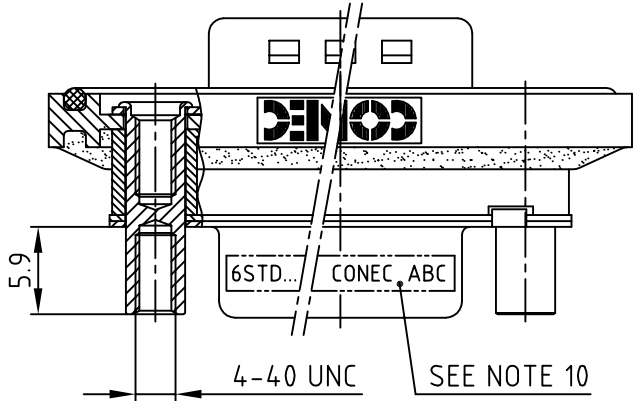
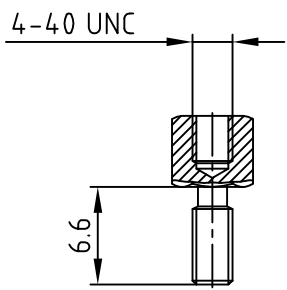
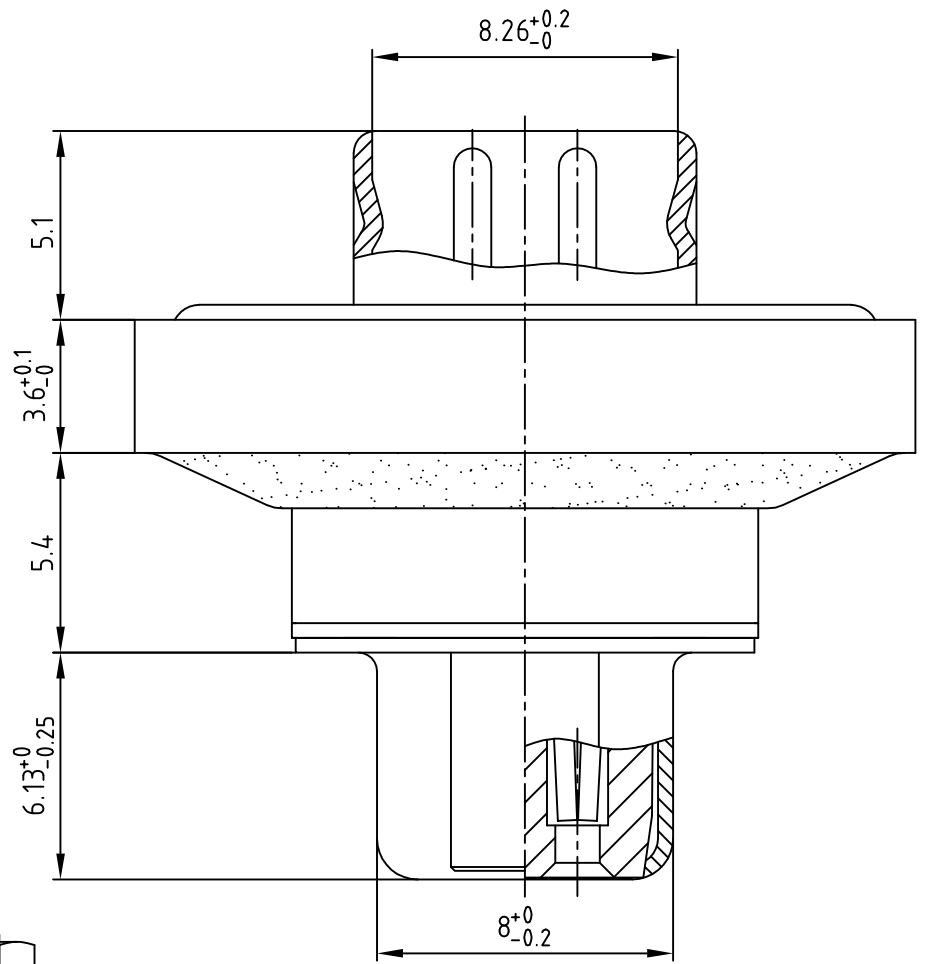
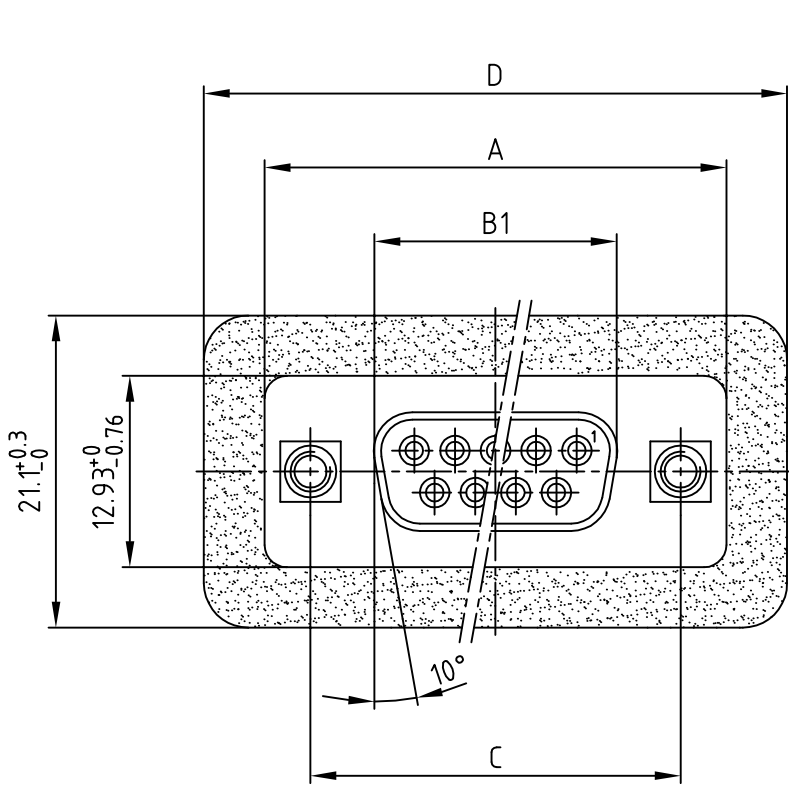
Tel: +86-755-8981 8866 Fax: +86-755-8427 6832

Email & Skype: info@chipsmall.com Web: www.chipsmall.com

Address: A1208, Overseas Decoration Building, #122 Zhenhua RD., Futian, Shenzhen, China



used for: D-SUB ADAPTER



AT ALL TIMES WATER RESISTANT CONNECTORS NOT IN USE SHOULD BE COVERED WITH A CONEC WATER RESISTANT CAP OR WATER TIGHT HOOD.

NOTES:

1. METALSHELLS: COPPER ALLOY; TIN PLATED
2. INSULATORS: PBT GF UL 94 V-0
3. CONTACTS: COPPER ALLOY  
PLATING: 8µm HARD GOLD over min. 50µm NICKEL
5. THREADED LOCK: COPPER ALLOY; min. 200µm TIN over 80µm NICKEL
6. FRAME: ZINC DIE CAST; NICKEL PLATED
7. HEX BOLTS: STAINLESS STEEL
8. RECOMMENDED MOUNTING TORQUE min. 3 in.LB, max. 5 in.LB
9. MAXIMUM TORQUE VALUE FOR THREAD: 6 in.LB
10. CONNECTOR IS PART MARKED: PART NO. CONEC ABC

POS.	A -0.76	B1 -0.25	B2 +0.25	C	D +0.3	PART NO.
9	31.19	16.46	16.79	25.00 <sup>+0.12</sup> / <sub>-0.13</sub>	39.4	6STD09AAA99B90X
15	39.52	24.79	25.12	33.30 <sup>+0.15</sup> / <sub>-0.1</sub>	47.7	6STD15AAA99B90X
25	53.42	38.50	38.84	47.04 ±0.13	61.4	6STD25AAA99B90X
37	69.70	54.96	55.30	63.50 ±0.13	77.9	6STD37AAA99B90X

Directive 2002/95/EC RoHS compliant

APPROVAL # FREIGABE # DEBLOCAGE # AUTOR/ZACION # APPROVAL	
CUSTOMER APPROVAL DATE:	
NAME:	TITLE:
COMPANY NAME:	
APPROVAL # FREIGABE # DEBLOCAGE # AUTOR/ZACION # APPROVAL	

THIS DRAWING MAY NOT BE COPIED OR REPRODUCED IN ANY WAY, AND MAY NOT BE PASSED ON TO A THIRD PARTY WITHOUT WRITTEN PERMISSION.  
 OWNERSHIP AND COPYRIGHT OF CONEC GmbH  
 DO NOT ALTER CAD DRAWING BY HAND

tolerance			scale: 2:1 (5:1)	
			material: SEE NOTES	
2009	date	title:		
drawn	22.10.	<b>D-SUB ADAPTER</b> 9-37pos. WATERTIGHT		
appd.	22.10.			
norm		DIN 41652		
d-old		dwg no: AutoCAD 2006		
a	Origin			
rev.	description			
date	name	part no: SEE TABLE		

2009		date		name	
drawn		22.10.		Petker	
appd.		22.10.		Fischer	
norm		DIN 41652			
d-old		dwg no: AutoCAD 2006			
a		Origin			
rev.	description	date	name		
date	name	part no: SEE TABLE			