



Chipsmall Limited consists of a professional team with an average of over 10 year of expertise in the distribution of electronic components. Based in Hongkong, we have already established firm and mutual-benefit business relationships with customers from,Europe,America and south Asia,supplying obsolete and hard-to-find components to meet their specific needs.

With the principle of "Quality Parts,Customers Priority,Honest Operation,and Considerate Service",our business mainly focus on the distribution of electronic components. Line cards we deal with include Microchip,ALPS,ROHM,Xilinx,Pulse,ON,Everlight and Freescale. Main products comprise IC,Modules,Potentiometer,IC Socket,Relay,Connector.Our parts cover such applications as commercial,industrial, and automotives areas.

We are looking forward to setting up business relationship with you and hope to provide you with the best service and solution. Let us make a better world for our industry!



Contact us

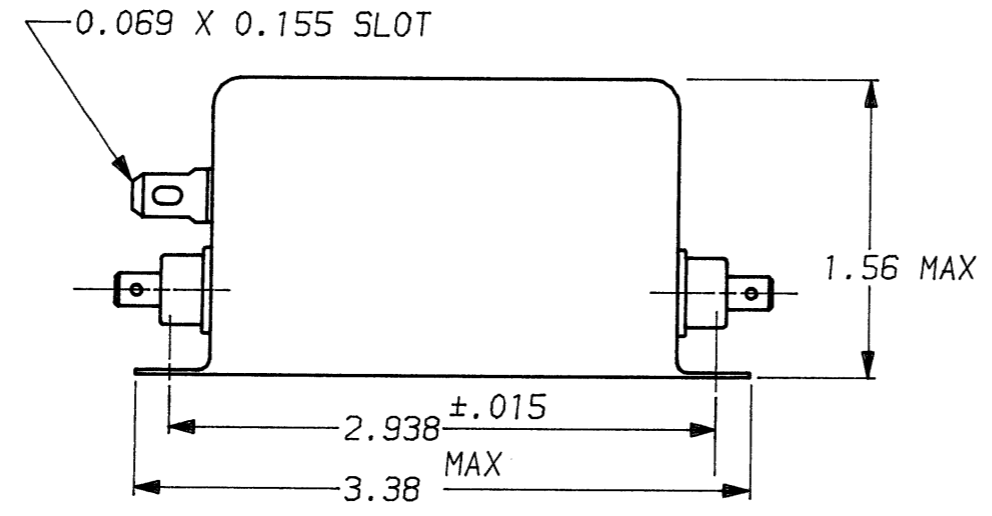
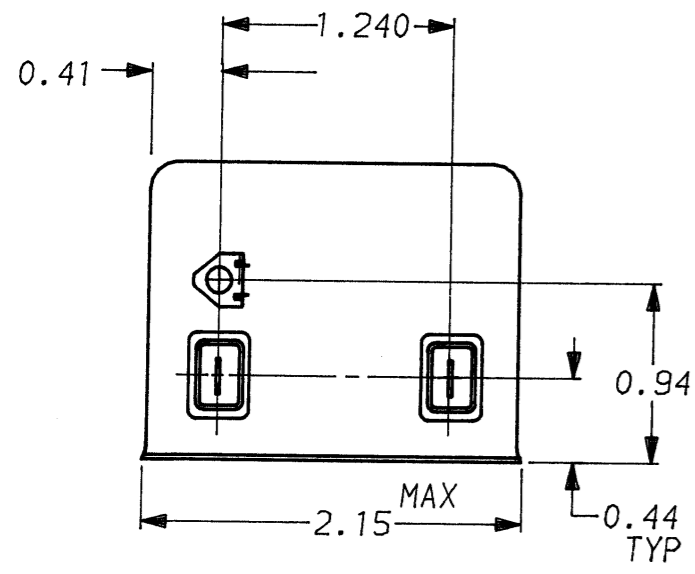
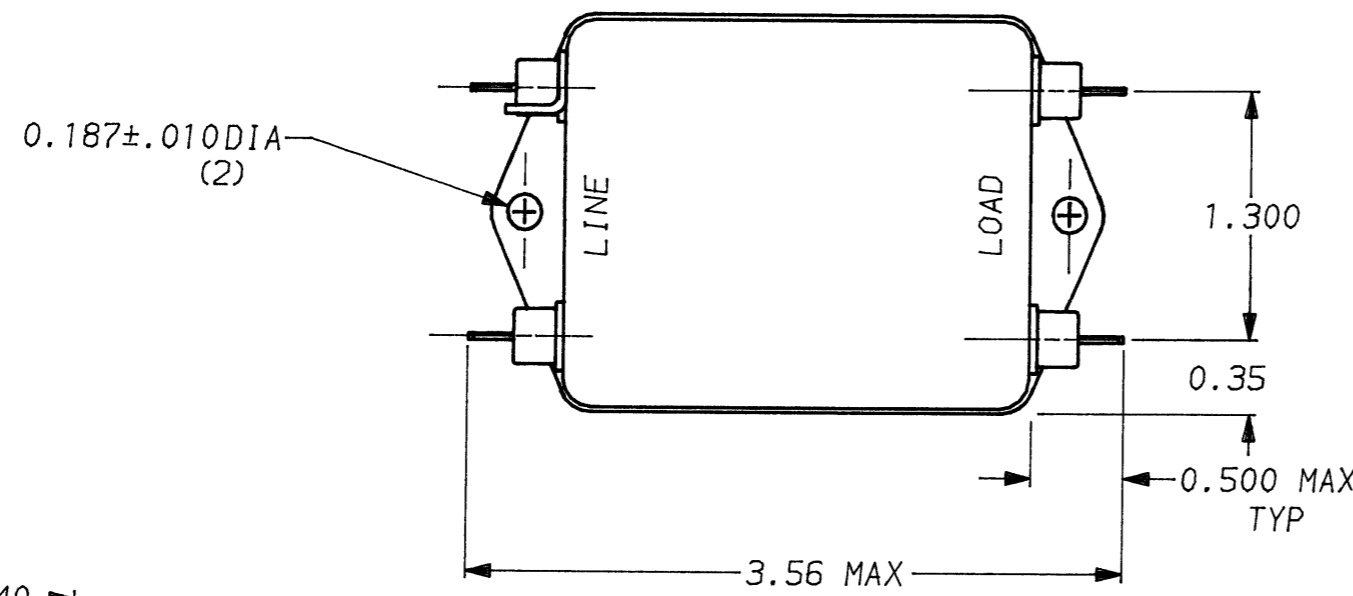
Tel: +86-755-8981 8866 Fax: +86-755-8427 6832

Email & Skype: info@chipsmall.com Web: www.chipsmall.com

Address: A1208, Overseas Decoration Building, #122 Zhenhua RD., Futian, Shenzhen, China



DESCRIPTION	APPROVED BY	DATE	REV
	C. Westerbe	10-15-92	4
ECO-09-026495	AEG	11DEC09	5



SAFETY ORGANIZATION(S):
 THIS FILTER HAS BEEN FORMALLY RECOGNIZED, CERTIFIED OR APPROVED BY THE LISTED AGENCY. THEREFORE, ALL TEST/REQUIREMENTS SPECIFIED IN THE LATEST REVISION OF THE FOLLOWING AGENCY STANDARDS HAVE BEEN MET:

UL RECOGNIZED
 CSA CERTIFIED
 VDE APPROVED

OPERATING SPECIFICATIONS:
 LINE VOLTAGE/CURRENT:
 LINE FREQUENCY:
 MAX. LEAKAGE CURRENT, EACH LINE TO GROUND
 OPERATING AMBIENT TEMP. RANGE:

UL 1283
 CSA 22.2, NO.0,0.4,8
 VDE 565-3

6 AMP., 120/250 VAC
 5 AMP/40°C, 250VAC
 50-60Hz
 1.25mA @ 120V 60Hz
 2.10mA @ 250V 50Hz
 -10°C TO +40°C @ RATED CURRENT, I_r

IN AN AMBIENT, T_a, HIGHER THAN 40°C, THE MAXIMUM OPERATING CURRENT, I_o, IS AS FOLLOWS:

$$I_o = I_r \sqrt{\frac{85 - T_a}{45}}$$

RELIABILITY SPECIFICATIONS:
 STORAGE TEMPERATURE:
 HUMIDITY:
 CURRENT OVERLOAD TEST:

-25°C TO +85°C
 21 DAYS @ 40°C 95% RH
 6 TIMES RATED CURRENT FOR 8 SECONDS

TEST SPECIFICATIONS:
 INDUCTANCE:
 CAPACITANCE: (MEASURED @ 1 KHz, 0.25 VAC MAX., 25°C ±1°C)
 LINE TO GROUND:
 LINE TO LINE:
 DISCHARGE RESISTOR:
 LINE/GROUND AND LINE/LINE
 INSULATION RESISTANCE (W/O DISCHARGE RESISTOR)

3.45mH NOMINAL
 .015μF ±20%
 .57μF ±20%
 560KΩ
 6000 MΩ (MIN) AT 100 VDC
 20°C AND 50% RH

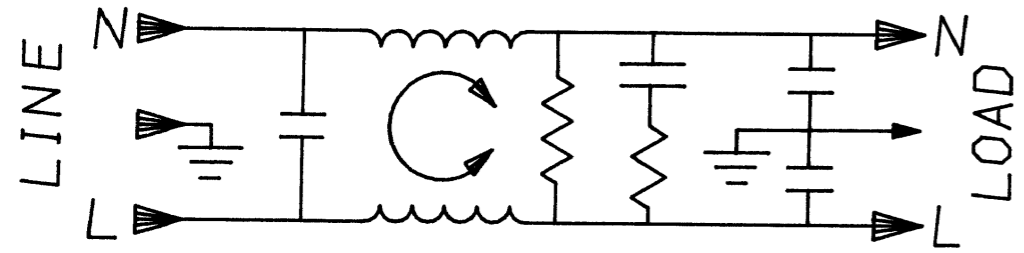
RECOMMENDED RECEIVING INSPECTION HIPOT:
 LINES TO GROUND:
 LINE TO LINE:

2250 VDC FOR 1 MINUTE
 1450 VDC FOR 1 MINUTE

FILTER APPROVAL:
 THE BEST WAY TO SELECT AND QUALIFY A FILTER IS FOR YOUR ENGINEERING TO TEST THE UNIT IN YOUR EQUIPMENT.

1 OBSOLETE PARTS: OBSOLETE CIS STREAMLINING PER D.RENAUD/D.SINISI

4609051-1	OBSOLETE	1
6609051-1		



50Ω - 50Ω (MINIMUM) INSERTION LOSS											
FREQUENCY MHz	.01	.05	.07	.1	.15	.5	1	5	10	20	30
COMMON dB	4	18	21	25	30	56	55	53	53	45	45
DIFF. dB	4	7	7	26	39	67	75	68	60	55	55

TOLERANCE EXCEPT AS NOTED
 DECIMAL: .XXX .XX .X ANGLES ± 1°
 ENGLISH: ±.025
 METRIC: ± —
 MATERIAL: AS SUPPLIED



POWER LINE FILTER

This document is proprietary to CORCOM INC. and is not to be reproduced nor used for manufacturing purposes except on CORCOM's order or prior written consent.

FINISH:

SCALE	DATE	DRG. NO.	REV.
NTS	5-12-88	6VG1	5
DRW. BY	ORIGINATOR		
TDL	CW		