



Chipsmall Limited consists of a professional team with an average of over 10 year of expertise in the distribution of electronic components. Based in Hongkong, we have already established firm and mutual-benefit business relationships with customers from,Europe,America and south Asia,supplying obsolete and hard-to-find components to meet their specific needs.

With the principle of “Quality Parts,Customers Priority,Honest Operation,and Considerate Service”,our business mainly focus on the distribution of electronic components. Line cards we deal with include Microchip,ALPS,ROHM,Xilinx,Pulse,ON,Everlight and Freescale. Main products comprise IC,Modules,Potentiometer,IC Socket,Relay,Connector.Our parts cover such applications as commercial,industrial, and automotives areas.

We are looking forward to setting up business relationship with you and hope to provide you with the best service and solution. Let us make a better world for our industry!



## Contact us

Tel: +86-755-8981 8866 Fax: +86-755-8427 6832

Email & Skype: info@chipsmall.com Web: www.chipsmall.com

Address: A1208, Overseas Decoration Building, #122 Zhenhua RD., Futian, Shenzhen, China



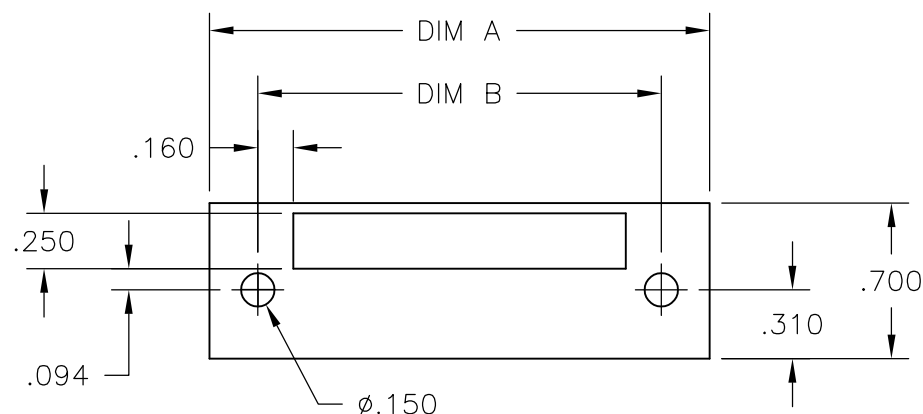
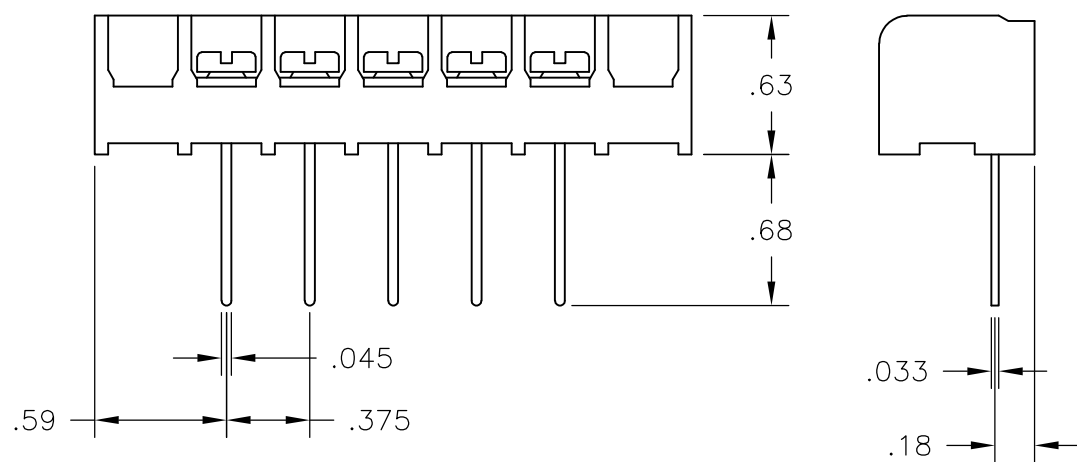
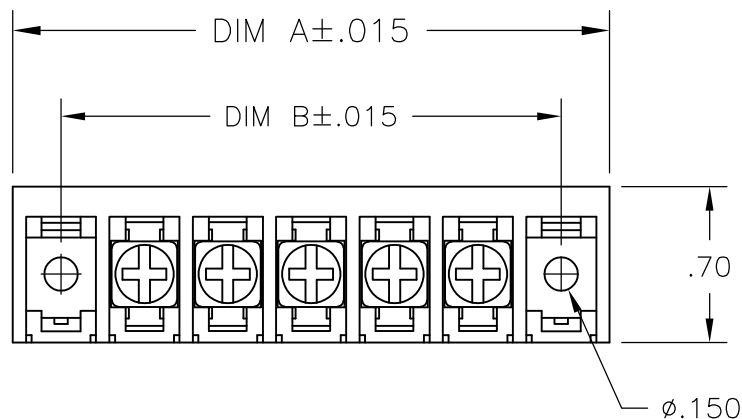
THIS DRAWING IS UNPUBLISHED. RELEASED FOR PUBLICATION  
 © COPYRIGHT BY TYCO ELECTRONICS CORPORATION. ALL RIGHTS RESERVED.

LOC FT	DIST 0	REVISIONS			
P	LTR	DESCRIPTION	DATE	DWN	APVD
	B	REVISED PER ECO-10-012475	22SEP10	HMR	CR

**MATERIAL:**  
 HOUSING MATERIAL: THERMOPLASTIC, UL94V-0, BLACK.  
 TERMINALS: BRIGHT TIN PLATED, COPPER ALLOY.  
 SCREWS: 6-32, STEEL, ZINC PLATED.

**ELECTRICAL:**  
 MAXIMUM CURRENT: 25A  
 OPERATING VOLTAGE: 300V, 600V LIMITED.  
 WIRE RANGE: 12-22 AWG

**ENVIRONMENT:**  
 OPERATING TEMP.: 105°C MAX.



RECOMMENDED PANEL LAYOUT

10.875	11.311	28	6WWV-28-006	1-796608-9
10.500	10.936	27	6WWV-27-006	1-796608-8
10.125	10.561	26	6WWV-26-006	1-796608-7
9.750	10.186	25	6WWV-25-006	1-796608-6
9.375	9.811	24	6WWV-24-006	1-796608-5
9.000	9.436	23	6WWV-23-006	1-796608-4
8.625	9.061	22	6WWV-22-006	3-1546159-8
8.250	8.686	21	6WWV-21-006	1-796608-3
7.875	8.311	20	6WWV-20-006	3-1546159-5
7.500	7.936	19	6WWV-19-006	1-796608-2
7.125	7.561	18	6WWV-18-006	1-796608-1
6.750	7.186	17	6WWV-17-006	1-796608-0
6.375	6.811	16	6WWV-16-006	796608-9
6.000	6.436	15	6WWV-15-006	796608-8
5.625	6.061	14	6WWV-14-006	796608-7
5.250	5.686	13	6WWV-13-006	796608-6
4.875	5.311	12	6WWV-12-006	3-1546159-2
4.500	4.936	11	6WWV-11-006	796608-5
4.125	4.561	10	6WWV-10-006	2-1546159-9
3.750	4.186	9	6WWV-09-006	796608-4
3.375	3.811	8	6WWV-08-006	1437656-3
3.000	3.436	7	6WWV-07-006	796608-3
2.625	3.061	6	6WWV-06-006	2-1546159-7
2.250	2.686	5	6WWV-05-006	2-1546159-6
1.875	2.311	4	6WWV-04-006	4-1437655-9
1.500	1.936	3	6WWV-03-006	796608-1
1.125	1.561	2	6WWV-02-006	796608-2
DIM B	DIM A	NO. OF POS	CATALOG NUMBER	TE PART NO.

THIS DRAWING IS A CONTROLLED DOCUMENT.		DWN S SCHLEGEL 7/10/06	Tyco Electronics Corporation Harrisburg, PA 17105-3608			
DIMENSIONS: INCHES		CHK S YODER 7/10/06				
TOLERANCES UNLESS OTHERWISE SPECIFIED:		APVD S YODER 7/10/06	NAME 6WWV-XX-006 ASSEMBLY			
0 PLC ± - 1 PLC ± - 2 PLC ± .02 3 PLC ± .010 4 PLC ± - ANGLES ± 1°		PRODUCT SPEC -	APPLICATION SPEC -			
MATERIAL -		FINISH -	SIZE A3	CAGE CODE 00779	DRAWING NO C-4-1437655-9	RESTRICTED TO -
CUSTOMER DRAWING			SCALE NTS	SHEET 1 OF 1	REV B	