



Chipsmall Limited consists of a professional team with an average of over 10 year of expertise in the distribution of electronic components. Based in Hongkong, we have already established firm and mutual-benefit business relationships with customers from,Europe,America and south Asia,supplying obsolete and hard-to-find components to meet their specific needs.

With the principle of “Quality Parts,Customers Priority,Honest Operation,and Considerate Service”,our business mainly focus on the distribution of electronic components. Line cards we deal with include Microchip,ALPS,ROHM,Xilinx,Pulse,ON,Everlight and Freescale. Main products comprise IC,Modules,Potentiometer,IC Socket,Relay,Connector.Our parts cover such applications as commercial,industrial, and automotives areas.

We are looking forward to setting up business relationship with you and hope to provide you with the best service and solution. Let us make a better world for our industry!



## Contact us

Tel: +86-755-8981 8866 Fax: +86-755-8427 6832

Email & Skype: info@chipsmall.com Web: www.chipsmall.com

Address: A1208, Overseas Decoration Building, #122 Zhenhua RD., Futian, Shenzhen, China



THIS DRAWING IS UNPUBLISHED. RELEASED FOR PUBLICATION  
 © COPYRIGHT 1997 ALL RIGHTS RESERVED.

LOC	DIST	REVISIONS					
		P	LTR	DESCRIPTION	DATE	DWN	APVD
A1	-	G7		ECR-11-001659	24 JAN 2011	SR	OH
		G8		ECR-11-002636	05 APR 2011	SR	AR
		G9		ECR-11-016021	03 AUG 2011	GW	OH

PART NO	A	B	NBR	FKM	EPDM COND	SERIES	NOTE
9-9	28.0	2.5	X	-	-	EMV-K3/4	-
9-4	3.5	1	X	-	-	AIR	-
9-3	4.5	1.5	X	-	-	AIR	-
9-2	47.7	3.5	X	-	-	AM-3P	-
9-1	11.0	1.0	X	-	-	AM-1P	-
8-2	54.0	3.0	X	-	-	AM-3P	-
8-1	50.0	3.0	X	-	-	AS-1P	-
7-6	168.0	3.0	X	-	-	AM-4P	-
7-2	50.0	2.0	-	X	-	Pg42	OBSOLETE
7-1	50.0	2.0	X	-	-	Pg42	-
6-6	135.0	3.0	X	-	-	AM-4P	-
6-2	44.0	2.0	-	X	-	Pg36	OBSOLETE
6-1	44.0	2.0	X	-	-	Pg36	-
5-6	5.0	1.0	X	-	-	MDC	-
5-3	7.0	3.0	X	-	-	AG-M6	-
5-2	34.0	2.0	-	X	-	Pg29	COLOR GREY
5-1	34.0	2.0	X	-	-	Pg29	-
4-6	12.5	2.5	X	-	-	MDC	-
4-4	98.0	3.0	-	-	X	HP/EMV 24	OBSOLETE
4-3	98.0	3.0	X	-	-	ABB-S0	-
4-2	26.0	2.0	-	X	-	Pg21	-
4-1	26.0	2.0	X	-	-	Pg21	-
3-6	24.0	3.0	X	-	-	MDC	-
3-5	64.0	3.0	X	-	-	AH-1P	-
3-4	80.0	3.0	-	-	X	HP/EMV 16	OBSOLETE
3-3	80.0	3.0	X	-	-	AK-1P	-
3-2	20.0	1.5	-	X	-	Pg16	COLOR GREY
3-1	20.0	1.5	X	-	-	Pg16	-
2-6	250.0	3.0	X	-	-	MDC	-
2-5	38.0	3.0	X	-	-	AH 1P	OBSOLETE
2-4	67.0	2.8	-	-	X	HP/EMV10	-
2-3	67.0	2.8	X	-	-	HP/EMV10	-
2-2	18.0	1.5	-	X	-	Pg13.5	OBSOLETE
2-1	18.0	1.5	X	-	-	Pg13.5	-
1-9	20.0	1.25	-	X	-	HC 26	BLACK
1-8	20.0	1.0	-	X	-	HC 26	BLACK
1-7	4.0	1.0	-	X	-	ARR1	-
1-6	330	5.0	X	-	-	MDC	-
1-5	19.0	1.8	X	-	-	Pg-Stv	OBSOLETE
1-4	59.0	3.0	-	-	X	HP/EMV6	OBSOLETE
1-3	59.0	3.0	X	-	-	HP/EMV6	-
1-2	16.0	1.5	-	X	-	Pg11	OBSOLETE
1-1	16.0	1.5	X	-	-	Pg11	-
1-0	23.0	1.0	-	X	-	HC 26	COLOR BLUE
0-9	23.52	1.78	-	X	-	HC 25	-
0-8	26	1.5	-	X	-	HC 26	COLOR BLUE
0-7	40	2.5	X	-	-	HW G	-
0-6	25.0	1.5	X	-	-	ALM	COLOR BLUE
0-5	17.5	1.5	-	X	-	HC 20	COLOR BLUE
0-4	17	1.0	-	X	-	HC 20	COLOR BLUE
0-3	21.2	2.65	-	X	-	HF-1-EMV-K	-
0-2	3.0	1.0	X	-	-	HA-EMV-K	-
0-1	13.0	1.5	X	-	-	Pg 09	-

OBSOLETE

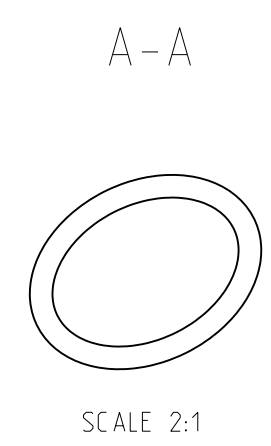
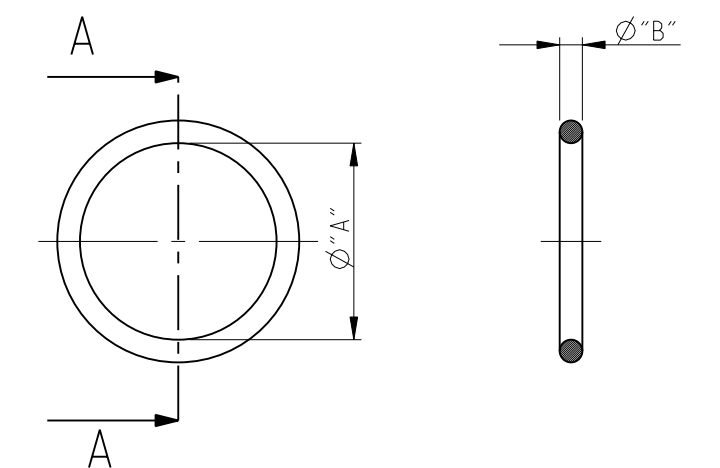
OBSOLETE

G9

OBSOLETE

### NOTES

- PARTS SHALL BE FREE AND CLEAN OF SHARP EDGES AND ALL OTHER FOREIGN MATERIAL NO LOOSE BURRS PERMITTED.
- NBR. 70°±5° SHORE A. BLACK. ACC .TO DIN 3770
- FKM. 70°±5° SHORE A. TEMPERATURE RANGE -30 °C / +200 °C
- EPDM. 65°±5° SHORE A. BLACK. ELECTRICAL CONDUCTIVE. RESISTIVITY: 8.05 x 10<sup>3</sup> OHMS PER CM
- PACKAGING PN 0-1. 1000 PIECES MAX. IN A BOX



THIS DRAWING IS A CONTROLLED DOCUMENT.		DWN Rösigen 26.05.1999	<b>STE</b> TE Connectivity	
		CHK Schweiger 26.05.1999		
DIMENSIONS: mm		TOLERANCES UNLESS OTHERWISE SPECIFIED:		NAME O-Ring
		0 PLC ±	APVD -	PRODUCT SPEC -
		1 PLC ±	APPLICATION SPEC -	
		2 PLC ±	WEIGHT -	
		3 PLC ±	RESTRICTED TO -	
MATERIAL -		FINISH -	SIZE A2	CAGE CODE 00779
			DRAWING NO C-1106053	SCALE 1:1
			CUSTOMER DRAWING	SHEET 1 OF 1
				REV G9