



Chipsmall Limited consists of a professional team with an average of over 10 year of expertise in the distribution of electronic components. Based in Hongkong, we have already established firm and mutual-benefit business relationships with customers from,Europe,America and south Asia,supplying obsolete and hard-to-find components to meet their specific needs.

With the principle of “Quality Parts,Customers Priority,Honest Operation,and Considerate Service”,our business mainly focus on the distribution of electronic components. Line cards we deal with include Microchip,ALPS,ROHM,Xilinx,Pulse,ON,Everlight and Freescale. Main products comprise IC,Modules,Potentiometer,IC Socket,Relay,Connector.Our parts cover such applications as commercial,industrial, and automotives areas.

We are looking forward to setting up business relationship with you and hope to provide you with the best service and solution. Let us make a better world for our industry!



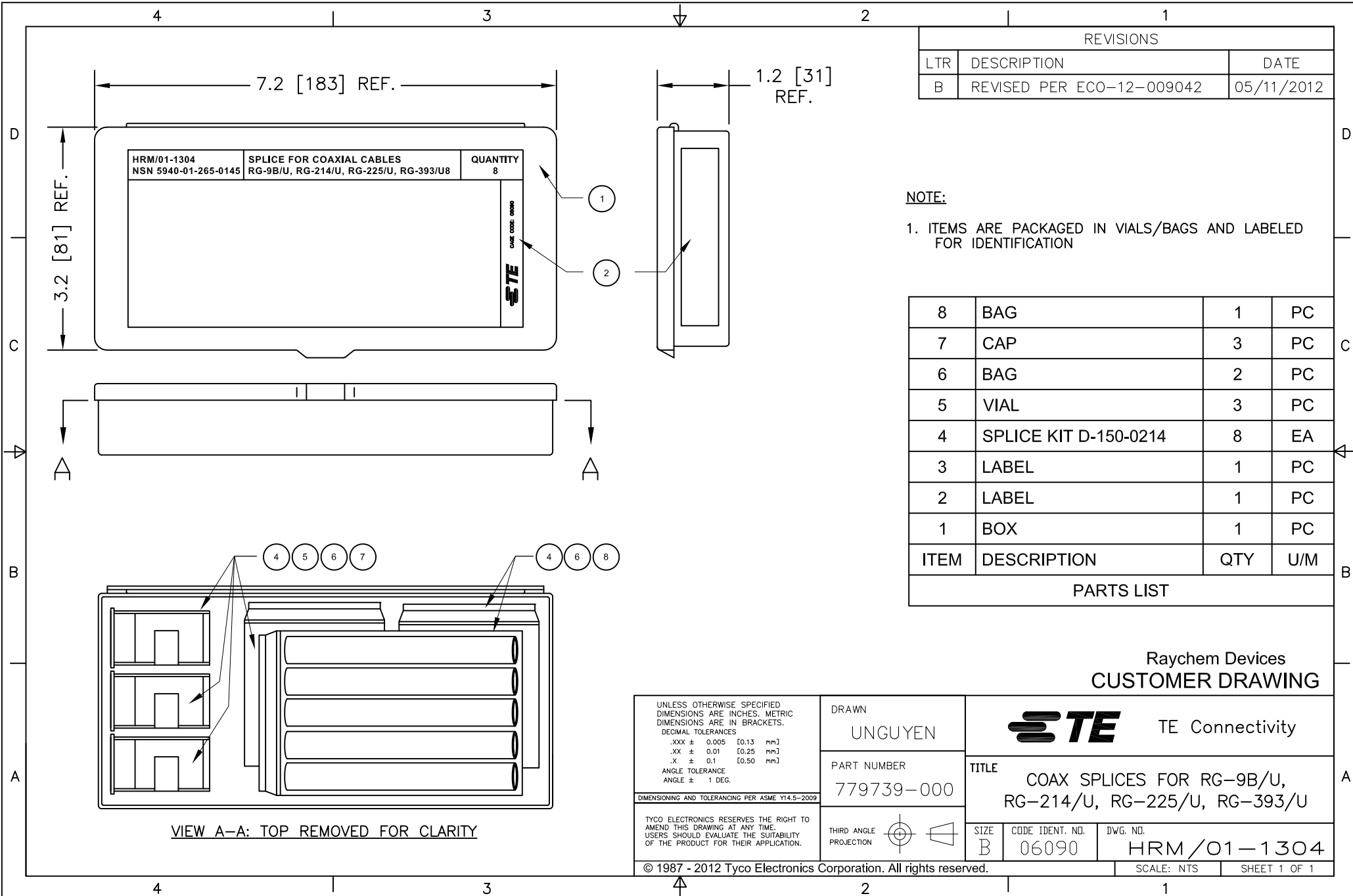
Contact us

Tel: +86-755-8981 8866 Fax: +86-755-8427 6832

Email & Skype: info@chipsmall.com Web: www.chipsmall.com

Address: A1208, Overseas Decoration Building, #122 Zhenhua RD., Futian, Shenzhen, China





REVISIONS		
LTR	DESCRIPTION	DATE
B	REVISED PER ECO-12-009042	05/11/2012

NOTE:

1. ITEMS ARE PACKAGED IN VIALS/BAGS AND LABELED FOR IDENTIFICATION

ITEM	DESCRIPTION	QTY	U/M
8	BAG	1	PC
7	CAP	3	PC
6	BAG	2	PC
5	VIAL	3	PC
4	SPLICE KIT D-150-0214	8	EA
3	LABEL	1	PC
2	LABEL	1	PC
1	BOX	1	PC

PARTS LIST

Raychem Devices
CUSTOMER DRAWING



UNLESS OTHERWISE SPECIFIED DIMENSIONS ARE INCHES. METRIC DIMENSIONS ARE IN BRACKETS. DECIMAL TOLERANCES .XXX ± 0.005 [0.13 mm] .XX ± 0.01 [0.25 mm] .X ± 0.1 [0.50 mm] ANGLE TOLERANCE ANGLE ± 1 DEG.	DRAWN UNGUYEN	TE Connectivity	
	PART NUMBER 779739-000	TITLE COAX SPLICES FOR RG-9B/U, RG-214/U, RG-225/U, RG-393/U	
DIMENSIONING AND TOLERANCING PER ASME Y14.5-2009 TYCO ELECTRONICS RESERVES THE RIGHT TO AMEND THIS DRAWING AT ANY TIME. USERS SHOULD EVALUATE THE SUITABILITY OF THE PRODUCT FOR THEIR APPLICATION.	THRD ANGLE PROJECTION	SIZE B	CODE IDENT. NO. 06090
© 1987 - 2012 Tyco Electronics Corporation. All rights reserved.		DWG. NO. HRM/O1-1304	SCALE: NTS SHEET 1 OF 1

If this document is printed it becomes uncontrolled. Check for the latest revision