



Chipsmall Limited consists of a professional team with an average of over 10 year of expertise in the distribution of electronic components. Based in Hongkong, we have already established firm and mutual-benefit business relationships with customers from,Europe,America and south Asia,supplying obsolete and hard-to-find components to meet their specific needs.

With the principle of "Quality Parts,Customers Priority,Honest Operation,and Considerate Service",our business mainly focus on the distribution of electronic components. Line cards we deal with include Microchip,ALPS,ROHM,Xilinx,Pulse,ON,Everlight and Freescale. Main products comprise IC,Modules,Potentiometer,IC Socket,Relay,Connector.Our parts cover such applications as commercial,industrial, and automotives areas.

We are looking forward to setting up business relationship with you and hope to provide you with the best service and solution. Let us make a better world for our industry!



Contact us

Tel: +86-755-8981 8866 Fax: +86-755-8427 6832

Email & Skype: info@chipsmall.com Web: www.chipsmall.com

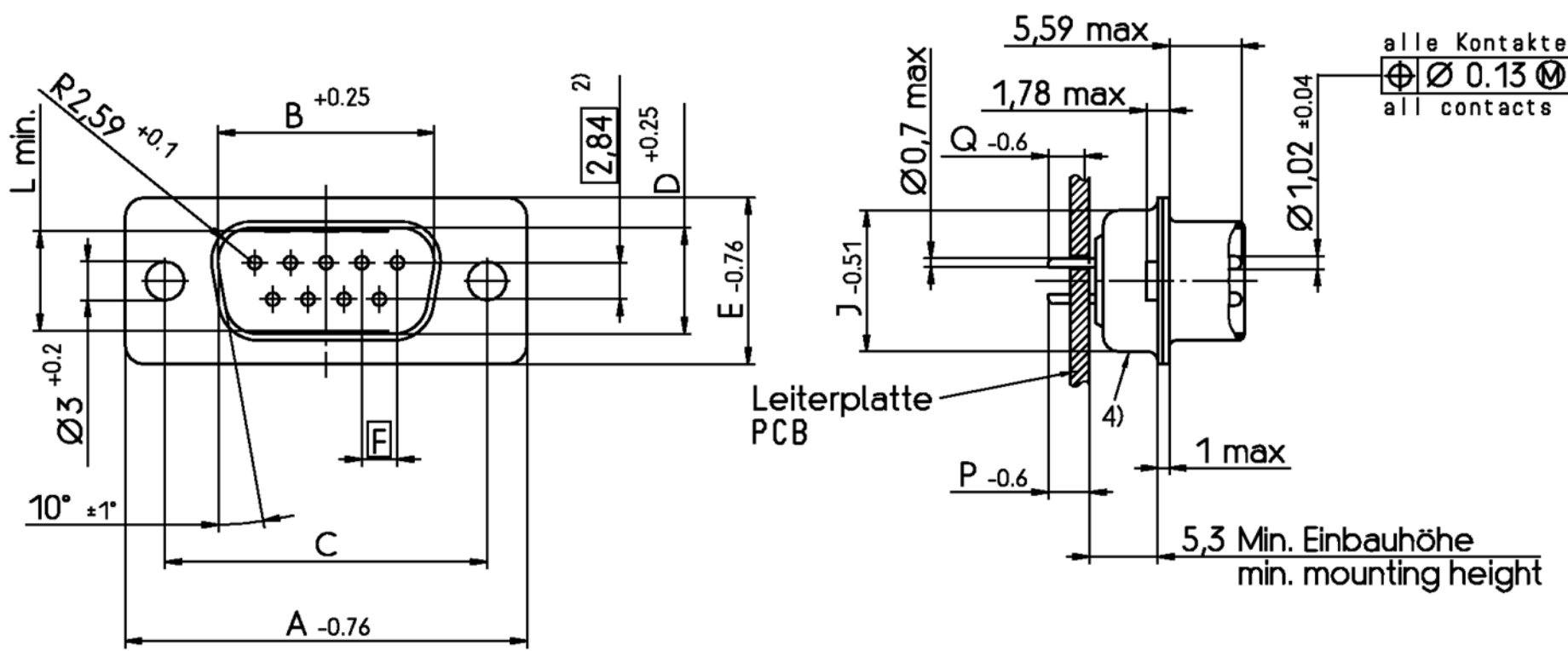
Address: A1208, Overseas Decoration Building, #122 Zhenhua RD., Futian, Shenzhen, China



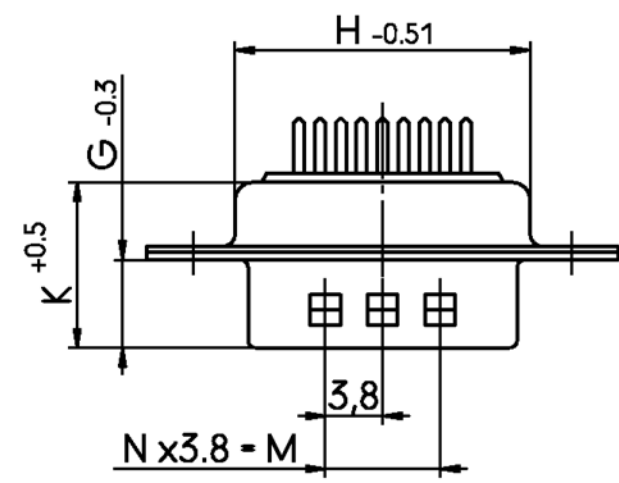
THIS INFORMATION IS CONFIDENTIAL AND PROPRIETARY TO TYCO ELECTRONICS CORPORATION AND ITS WORLDWIDE SUBSIDIARIES AND AFFILIATES. IT MAY NOT BE DISCLOSED TO ANYONE OTHER THAN TYCO ELECTRONICS PERSONNEL, WITHOUT WRITTEN AUTHORIZATION FROM TYCO ELECTRONICS CORPORATION, HARRISBURG PENNSYLVANIA USA

Standardausführung: V42254-A2115-C*** V42254-A2415-C*** 3)
 standard versions: V42254-A2117-C*** V42254-A2417-C*** 3)
 V42254-A2315-C*** V42254-A2515-C*** 3)
 V42254-A2317-C*** V42254-A2517-C*** 3)

- 1) nach DIN 41652 T.2 und T.4
- 2) Bemerkung: 50-polig: dreireihig
- 3) nicht für 50-polig
- 4) keine TE-Beschriftung bei:
 V42254-A2*17-C*** V42254-A2*18-C***
 V42254-A2122-C*** V42254-A2142-C***
 V42254-A2132-C*** V42254-A2152-C***
 V42254-A2133-C*** V42254-A2153-C***
- 5) Rille zur optischen Erkennung der Bolzentypen mit M3-Gewinde
- 6) Blechteile örtlich herunter gedrückt
- 7) Nur bei Ausführung mit Lötstielänge P = 3,2mm
- 8) Sicke nur bei den 4 äußeren Masselötstielen.



- 1) according to DIN 41652 p.2 and p.4
- 2) note: 50-contacts version: 3 contact rows
- 3) not for 50-contacts version
- 4) no TE-marking for:
 V42254-A2*17-C*** V42254-A2*18-C***
 V42254-A2122-C*** V42254-A2142-C***
 V42254-A2132-C*** V42254-A2152-C***
 V42254-A2133-C*** V42254-A2153-C***
- 5) groove in the stud bolts with M3 thread (visual recognition)
- 6) shells pressed down locally
- 7) only for versions with soldering-pin length of P = 3,2mm
- 8) only the four corner grounding soldering-pins have a rib



Sachnr. ordering code V42254-A2*1*-	Polzahl No. of contacts	dimension Maß	A	B	C	D	E	F	G	H	J	K	L	M	N
C*09	09		31.19	16.79	25.0 ^{+0.12} / _{-0.13}	8.23	12.93	2.74	6.12	19.53	10.97	10.46	7.72	7.6	2
C*15	15		39.52	25.12	33.3 ^{+0.15} / _{-0.1}	8.23	12.93	2.74	6.12	27.76	10.97	10.46	7.69	15.2	4
C*25	25		53.42	38.84	47.04 ^{+0.13} / _{-0.13}	8.23	12.93	2.76	5.99	41.53	10.97	10.57	7.65	26.6	7
C*37	37		69.7	55.3	63.5 ^{+0.13} / _{-0.13}	8.23	12.93	2.76	5.99	57.96	10.97	10.57	7.65	41.8	11
C*50	50 ²⁾		67.31	52.68	61.1 ^{+0.14} / _{-0.11}	11.07	15.75	2.76	5.99	55.58	13.82	10.57	10.45	41.8	11

Anforderungsstufe / performance level ¹⁾

V42254-	P	Q
A211*-+***	3.2	3.2
A231*-+***	5.55	5.55
A241*-+*** ³⁾	1.55	1.55
A251*-+*** ³⁾	13.65	14.05

dargestellt wird die 9-polige Ausführung
 drawn is the 9-contacts version

TE TE Connectivity

SCALE 2:1 WEIGHT

MATERIAL

PART NAME Sub-D Loetstiften gerade
 Stiftleiste mit Schirmfiederung
 D-Sub straight soldering pins
 male connector with grounding fingers

PART NO. V42254-A2***-C***-*-27 SHT. 1+ OF 8

H	ECO-15-011831	04FEB16	DG	DATE	01.03.90
E	ECO-12-004885	03MAY12	CWR	NAME	Embo
D3	ECR-10-026542	30MAY11	HMR	DEP.	PE Com PE&SE
D2	ECR-11-001872	11MAY11	KMA		
D1	ECR-10-019447	23DEC10	KMA		
D	ECR-10-017690	31AUG10	KMA	TOLERANCE UNLESS SPECIFIED OTHERWISE	
C1	ECO-10-000445	12JAN10	AEG		
C	ECR-06-029564	18 DEC 06	JvdH		

REV. CHANGE ORDER DATE APP. Customer Drawing Nr. C-7-1393483-3

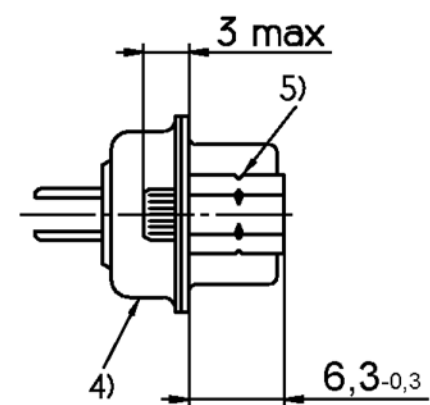
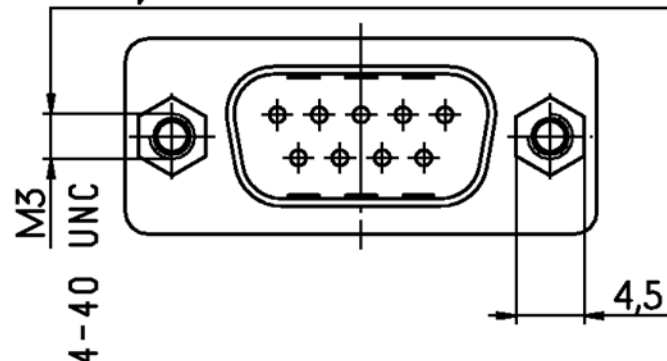
PROPRIETARY:

THIS INFORMATION IS CONFIDENTIAL AND PROPRIETARY TO TYCO ELECTRONICS CORPORATION AND ITS WORLDWIDE SUBSIDIARIES AND AFFILIATES. IT MAY NOT BE DISCLOSED TO ANYONE, OTHER THAN TYCO ELECTRONICS PERSONNEL, WITHOUT WRITTEN AUTHORIZATION FROM TYCO ELECTRONICS CORPORATION, HARRISBURG PENNSYLVANIA USA

mit Gewindebolzen:
with screwlock stud bolts:

- | | |
|----------------------|----------------------|
| M3: | 4-40 UNC: |
| V42254-A2119-C*** | V42254-A2116-C*** |
| V42254-A2319-C*** | V42254-A2316-C*** |
| V42254-A2419-C*** 3) | V42254-A2416-C*** 3) |
| V42254-A2519-C*** 3) | V42254-A2516-C*** 3) |
| | V42254-A2118-C*** |
| | V42254-A2318-C*** |
| | V42254-A2418-C*** 3) |
| | V42254-A2518-C*** 3) |

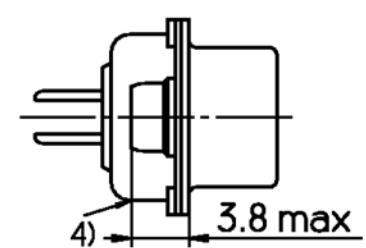
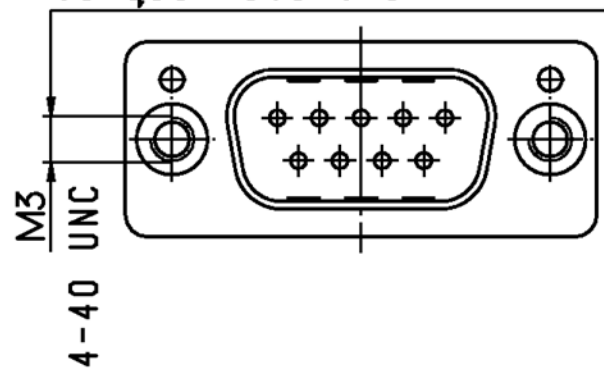
Verdrehsicherheit ≥ 70 Ncm
torque retention ≥ 70 Ncm



mit Stop-Mutter/Gewindeeinsatz:
with thread:

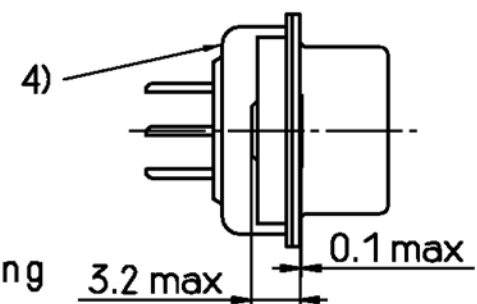
- | | |
|----------------------|----------------------|
| M3: | 4-40 UNC: |
| V42254-A2114-C*** | V42254-A2112-C*** |
| V42254-A2314-C*** | V42254-A2312-C*** |
| V42254-A2414-C*** 3) | V42254-A2412-C*** 3) |
| V42254-A2514-C*** 3) | V42254-A2512-C*** 3) |

Verdrehsicherheit ≥ 130 Ncm
torque retention ≥ 130 Ncm



mit Stop-Mutter (für 9-, 15-, 25- u. 37-pol Ausführung):
with self locking press-in nuts (for 9-, 15- 25- and 37-contacts versions):

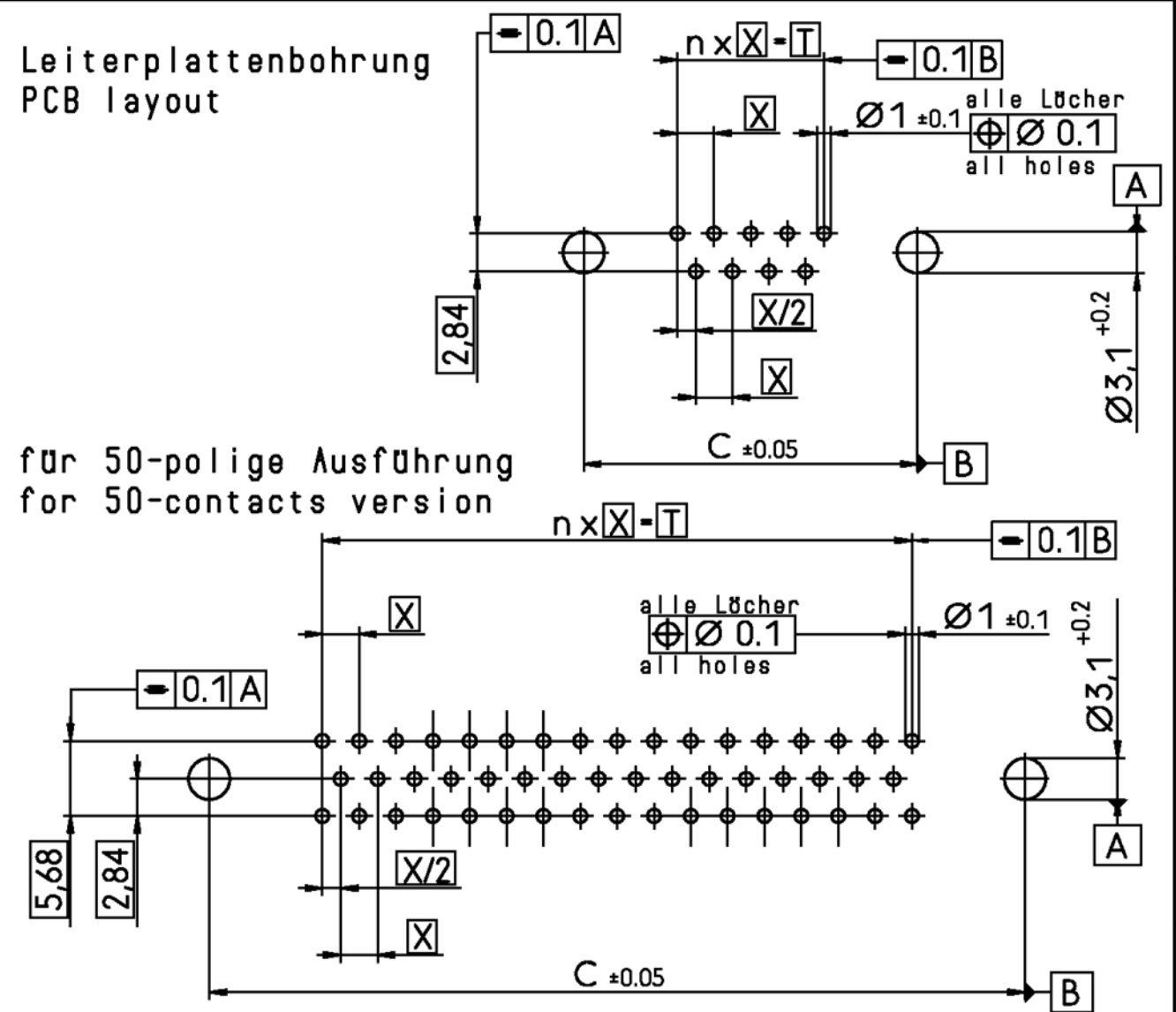
mit Gewindeeinsatz (für 50-pol Ausführung):
with thread insert (for 50-contacts version):



Erläuterungen: Seite 1
dargestellt wird die 9-polige Ausführung
remarks: see page 1
drawn is the 9-contacts version

Leiterplattenbohrung
PCB layout

für 50-polige Ausführung
for 50-contacts version

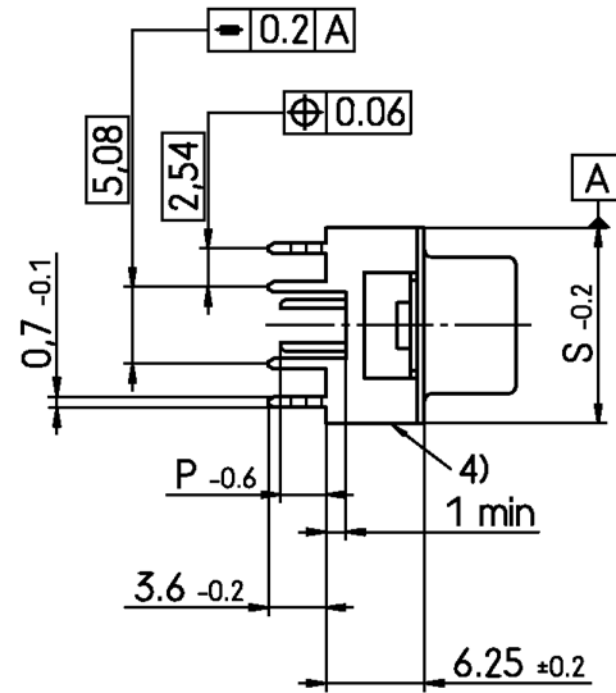
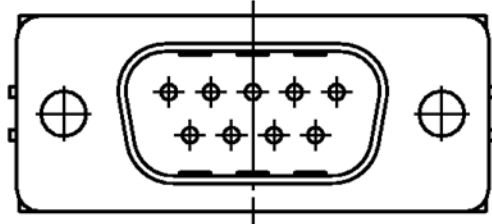


Polzahl No. of contacts	n	Abmessungen in mm dimensions in mm		
		C	T	X
9	4	25.0	10.96	2.74
15	7	33.3	19.18	2.74
25	12	47.04	33.12	2.76
37	18	63.5	49.68	2.76
50	16	61.1	44.16	2.76

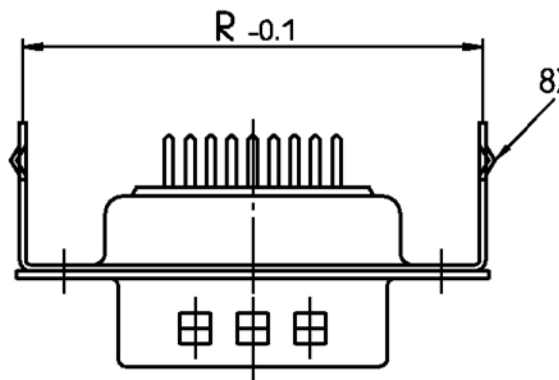
		SCALE 2:1		WEIGHT	
		MATERIAL			
DATE 01.03.90		PART NAME Sub-D Loetstiften gerade			
NAME Embo		Stiftleiste mit Schirmfederung			
DEP. PE Com PE&SE		D-Sub straight soldering pins			
TOLERANCE UNLESS SPECIFIED OTHERWISE		PART NO.		SHT. 2+	
SEE SHEET 1		V42254-A2***-C***-*-27		OF 8	
REV.	CHANGE ORDER	DATE	APP.	Customer Drawing Nr. C-7-1393483-3	

mit Masselötstiften:
with grounding soldering pins: 3)

V42254-A2215-C***
V42254-A2217-C***
V42254-A2815-C***
V42254-A2817-C***



V42254-	P
A221*-+***	3.2
A281*-+***	5.55



Sachnr. ordering code V42254-A2*1*-	Polzahl No. of contacts	dimension Maß	
		R	S
C*09	09	30.4	12.4
C*15	15	38.8	12.4
C*25	25	52.7	12.4
C*37	37	69.1	12.4

Anforderungsstufe / performance level 1)

Erläuterungen: Seite 1
dargestellt wird die 9-polige Ausführung
remarks: see page 1
drawn is the 9-contacts version

TE TE Connectivity		SCALE 2:1	WEIGHT
LOC GW DIMENSIONS IN MM		MATERIAL	
DATE 01.03.90	NAME Embo	PART NAME Sub-D Loetstiften gerade Stiftleiste mit Schirmfiederung D-Sub straight soldering pins male connector with grounding fingers	
DEP. PE Com PE&SE	TOLERANCE UNLESS SPECIFIED OTHERWISE	PART NO. V42254-A2***-C***-*-27	SHT. 3+
SEE SHEET 1	Customer Drawing Nr. C-7-1393483-3	OF 8	
REV. CHANGE ORDER	DATE	APP.	

THIS INFORMATION IS CONFIDENTIAL AND PROPRIETARY TO TYCO ELECTRONICS CORPORATION AND ITS WORLDWIDE SUBSIDIARIES AND AFFILIATES. IT MAY NOT BE DISCLOSED TO ANYONE, OTHER THAN TYCO ELECTRONICS PERSONNEL, WITHOUT WRITTEN AUTHORIZATION FROM TYCO ELECTRONICS CORPORATION, HARRISBURG PENNSYLVANIA USA

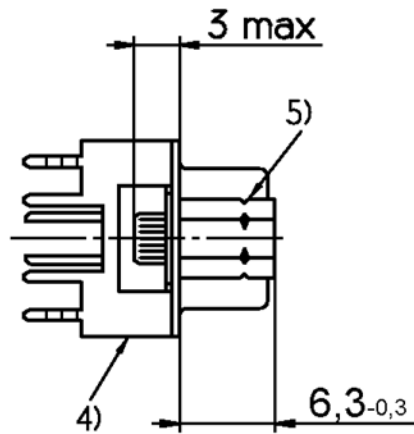
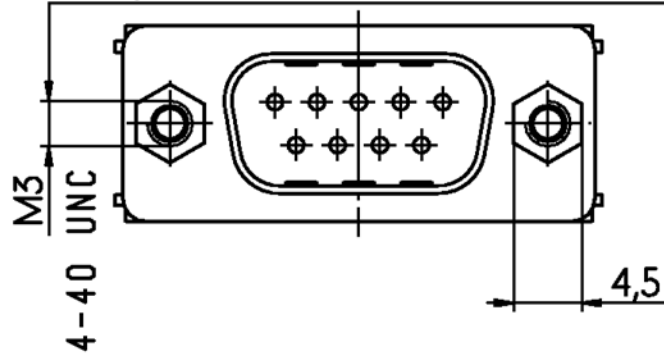
PROPRIETARY:

THIS INFORMATION IS CONFIDENTIAL AND PROPRIETARY TO TYCO ELECTRONICS CORPORATION AND ITS WORLDWIDE SUBSIDIARIES AND AFFILIATES. IT MAY NOT BE DISCLOSED TO ANYONE, OTHER THAN TYCO ELECTRONICS PERSONNEL, WITHOUT WRITTEN AUTHORIZATION FROM TYCO ELECTRONICS CORPORATION, HARRISBURG-PENNSYLVANIA USA

mit Masselötstiften und Gewindebolzen:
 with grounding soldering-pins and screwlock stud bolts: 3)

M3: V42254-A2219-C*** 4-40 UNC: V42254-A2216-C***
 V42254-A2218-C***
 V42254-A2819-C*** V42254-A2816-C***
 V42254-A2818-C***

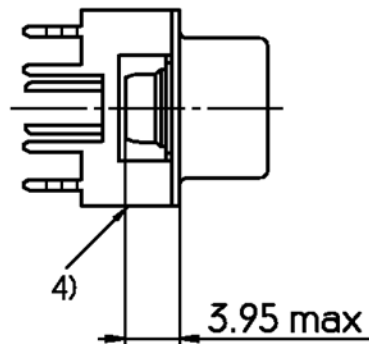
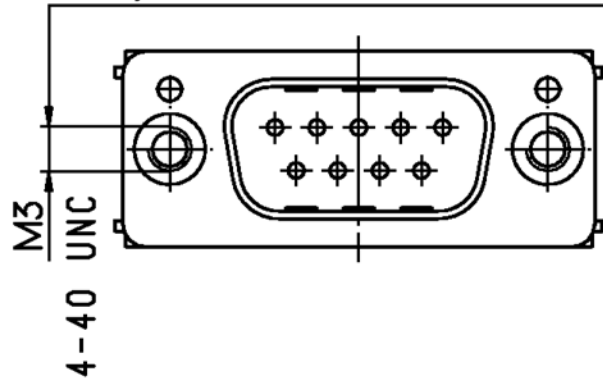
Verdrehsicherheit ≥ 70 Ncm
 torque retention ≥ 70 Ncm



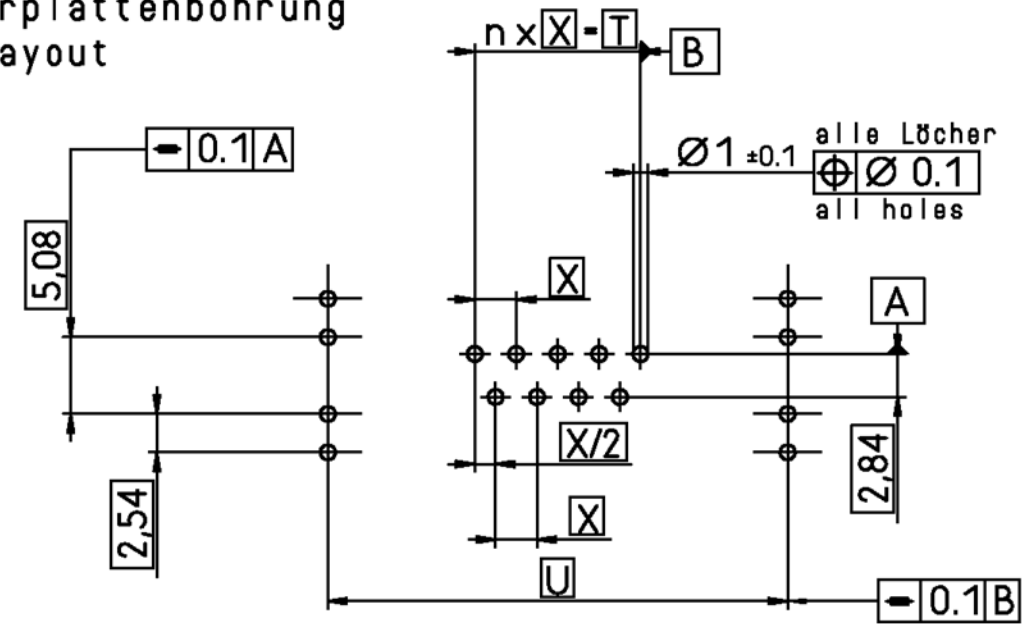
mit Masselötstiften und Stop-Mutter:
 with grounding soldering-pins and thread: 3)

M3: V42254-A2214-C*** 4-40 UNC: V42254-A2212-C***
 V42254-A2814-C*** V42254-A2812-C***

Verdrehsicherheit ≥ 130 Ncm
 torque retention ≥ 130 Ncm



Leiterplattenbohrung
 PCB layout



Polzahl No. of contacts	n	Abmessungen in mm dimensions in mm		
		T	U	X
9	4	10.96	30.4	2.74
15	7	19.18	38.8	2.74
25	12	33.12	52.7	2.76
37	18	49.68	69.1	2.76

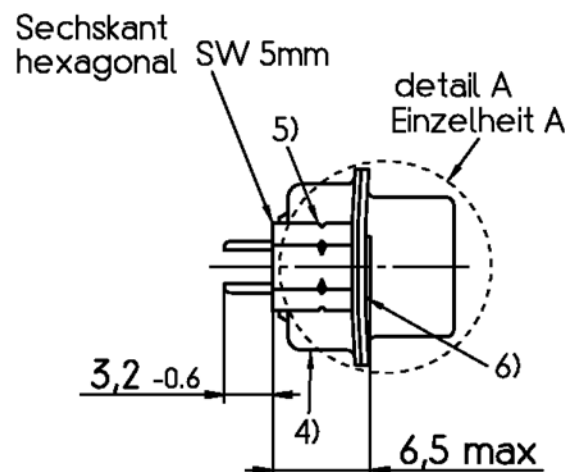
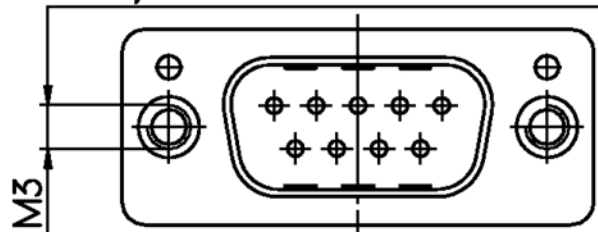
Erläuterungen: Seite 1
 dargestellt wird die 9-polige Ausführung
 remarks: see page 1
 drawn is the 9-contacts version

TE TE Connectivity		SCALE 2:1	WEIGHT
LOC GW DIMENSIONS IN MM		MATERIAL	
DATE	01.03.90	PART NAME Sub-D Loetstiften gerade Stiftleiste mit Schirmfiederung D-Sub straight soldering pins male connector with grounding fingers	
NAME	Embo	PART NO. V42254-A2***-C***-*-27	
DEP.	PE Com PE&SE	SHT. 4+	
TOLERANCE UNLESS SPECIFIED OTHERWISE		REV. CHANGE ORDER DATE APP. Customer Drawing Nr. C-7-1393483-3	
SEE SHEET 1		OF 8	

mit Distanzbolzen :
with distance bolts: 7)

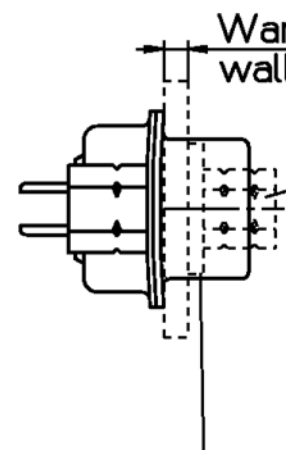
V42254-A2120-C***
V42254-A2122-C***

Verdrehsicherheit ≥ 20 Ncm
torque retention ≥ 20 Ncm



Montageart
mounting type

Wanddicke 0.8 bis 1,6 mm
wall thickness from 0,8 to 1,6 mm



Sechskantbolzen V42254-A171-V2 oder
V42254-A172-V2
verwenden
use hexagonal bolts V42254-A171-V2
or V42254-A172-V2

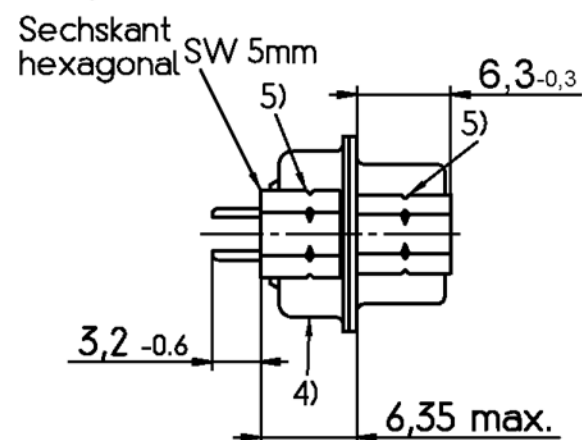
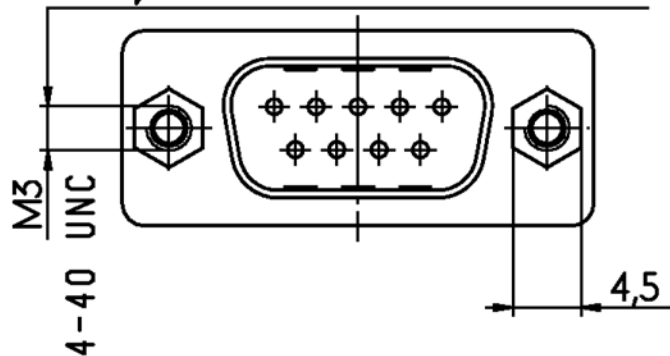
Falls notwendig Distanzscheiben verwenden
if necessary, use washer(s)

mit Gewinde- und Distanzbolzen
with screwlock stud bolts and distance bolts: 7)

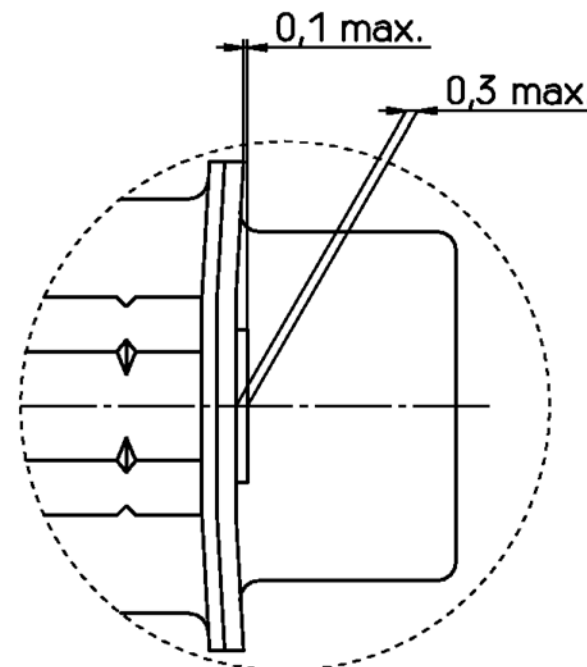
	Gewindebolzen screwlock stud bolts	Distanzbolzen distance bolts
V42254-A2130-C***	M3	M3
V42254-A2131-C***	4-40 UNC	M3
V42254-A2132-C***	M3	M3
V42254-A2133-C***	4-40 UNC	M3

V42254-A2130-C*** M3
V42254-A2131-C*** 4-40 UNC
V42254-A2132-C*** M3
V42254-A2133-C*** 4-40 UNC

Verdrehsicherheit ≥ 80 Ncm
torque retention ≥ 80 Ncm



Einzelheit A (5:1)
detail A



Erläuterungen: Seite 1
dargestellt wird die 9-polige Ausführung
remarks: see page 1
drawn is the 9-contacts version

		SCALE 2:1		WEIGHT	
		MATERIAL			
DATE 01.03.90		PART NAME Sub-D Loetstiften gerade			
NAME Embo		Stiftleiste mit Schirmfiederung			
DEP. PE Com PE&SE		D-Sub straight soldering pins			
TOLERANCE UNLESS SPECIFIED OTHERWISE		PART NO. V42254-A2***-C***-*-27			
SEE SHEET 1		SHT. 5+			
REV.	CHANGE ORDER	DATE	APP.	Customer Drawing Nr. C-7-1393483-3	
				OF 8	

THIS INFORMATION IS CONFIDENTIAL AND PROPRIETARY TO TYCO ELECTRONICS CORPORATION AND ITS WORLDWIDE
 SUBSIDIARIES AND AFFILIATES. IT MAY NOT BE DISCLOSED TO ANYONE, OTHER THAN TYCO ELECTRONICS PERSONNEL,
 WITHOUT WRITTEN AUTHORIZATION FROM TYCO ELECTRONICS CORPORATION, HARRISBURG PENNSYLVANIA USA

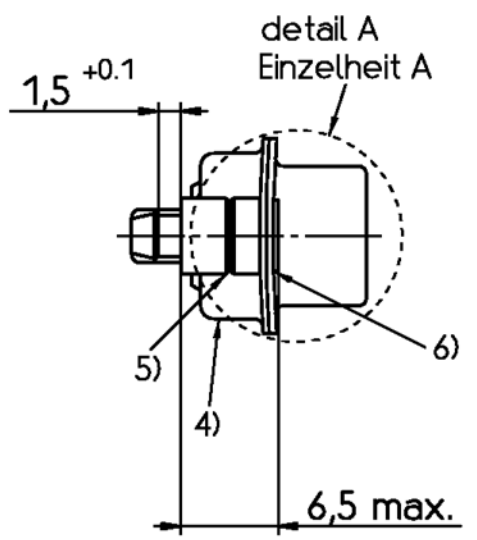
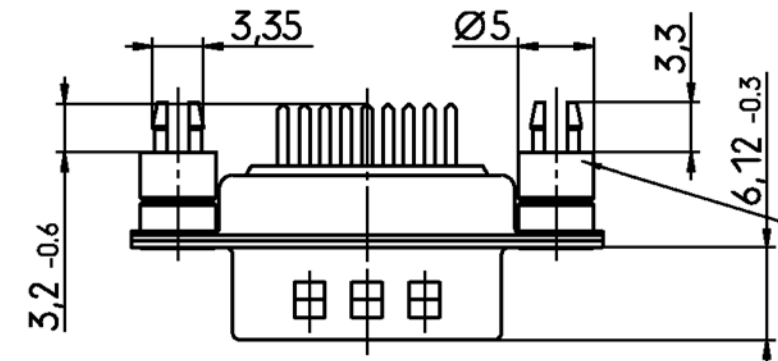
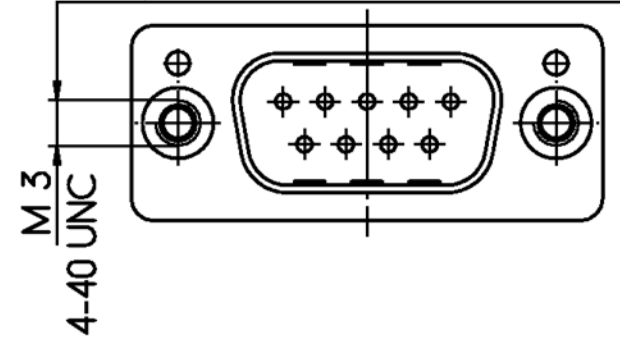
PROPRIETARY:

PROPRIETARY: THIS INFORMATION IS CONFIDENTIAL AND PROPRIETARY TO TYCO ELECTRONICS CORPORATION AND ITS WORLDWIDE SUBSIDIARIES AND AFFILIATES. IT MAY NOT BE DISCLOSED TO ANYONE, OTHER THAN TYCO ELECTRONICS PERSONNEL, WITHOUT WRITTEN AUTHORIZATION FROM TYCO ELECTRONICS CORPORATION, HARRISBURG PENNSYLVANIA USA

mit Distanzbolzen und Clip :
with distance bolts and grounding socket: 7)

M3 : V42254-A2140-C*** 4-40 UNC : V42254-A2141-C***
V42254-A2142-C***

Verdrehsicherheit ≥ 20 Ncm
torque retention ≥ 20 Ncm

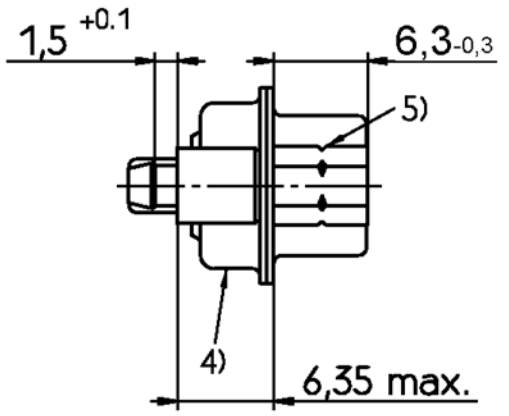
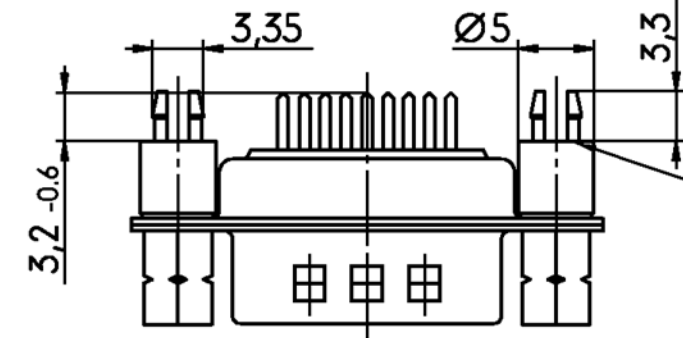
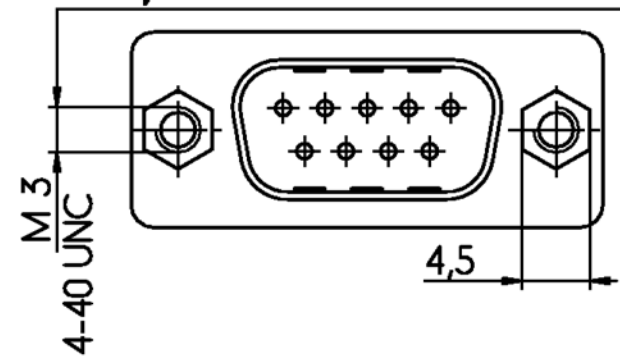


Clip für :
grounding socket for:
- Loch:
hole: $\varnothing 3,2^{+0.1}$
- LP-Dicke:
PCB thickness: $1,5 \pm 0.1$

mit Gewinde- und Distanzbolzen mit Clip :
with screwlock stud bolts and distance bolts and grounding socket: 7)

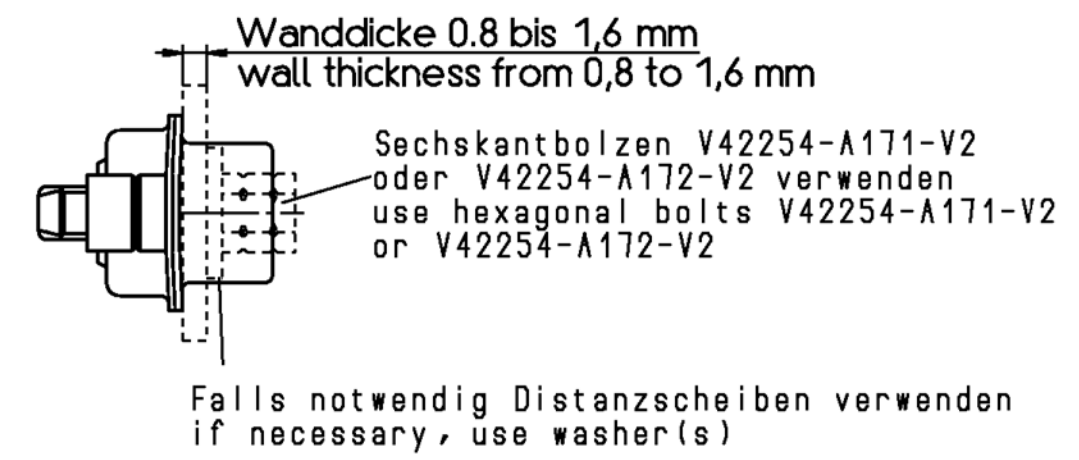
M3 : V42254-A2150-C*** 4-40 UNC : V42254-A2151-C***
V42254-A2152-C*** V42254-A2153-C***

Verdrehsicherheit ≥ 80 Ncm
torque retention ≥ 80 Ncm

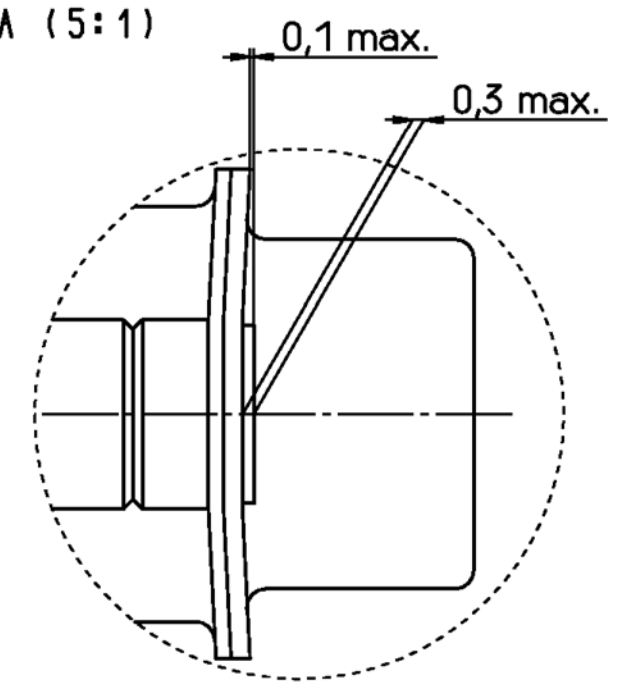


Clip für :
grounding socket for:
- Loch:
hole: $\varnothing 3,2^{+0.1}$
- LP-Dicke:
PCB thickness: $1,5 \pm 0.1$

Montageart
mounting type



Einzelheit A (5:1)
detail A



Erläuterungen: Seite 1
dargestellt wird die 9-polige Ausführung
remarks: see page 1
drawn is the 9-contacts version

		SCALE 2:1		WEIGHT
		MATERIAL		
DATE 01.03.90 NAME Embo DEP. PE Com PE&SE		PART NAME Sub-D Loetstiften gerade Stiftleiste mit Schirmfiederung D-Sub straight soldering pins male connector with grounding fingers		
TOLERANCE UNLESS SPECIFIED OTHERWISE		PART NO. V42254-A2***-C***-*-27		SHT. 6+
SEE SHEET 1	REV. CHANGE ORDER	DATE	APP.	Customer Drawing Nr. C-7-1393483-3

V 4 2 2 5 4 - A 2 * * * - C * * *

Anschlußausführung // connection type	
1	Lötstiftlänge 3.2mm // soldering pin length 3.2mm
2	Lötstiftlänge 3.2mm mit Masselötstiften 1) // soldering pin length 3.2mm with grounding soldering pins
3	Lötstiftlänge 5.55mm // soldering pin length 5.55mm
4	Lötstiftlänge 1.55mm 1) // soldering pin length 1.55mm 1)
5	Lötstiftlänge 14.05mm 1) // soldering pin length 14.05mm 1)
8	Lötstiftlänge 5.55mm mit Masselötstiften 1) // soldering pin length 5.55mm with grounding soldering pins 1)

Steckerart // connector type	
C	Stiftleiste mit Schirmfiederung // male connector with grounding fingers

Kontaktfläche / Kontaktart // contact surface / contact type	
1	Anforderungsstufe 1 / gerollte Kontakte // performance level I / rolled contacts
2	Anforderungsstufe 2 / gerollte Kontakte // performance level II / rolled contacts

Polzahl // no. of contacts	
09	9-polig // 9-contacts
15	15-polig // 15-contacts
25	25-polig // 25-contacts
37	37-polig // 37-contacts
50	50-polig // 50-contacts

PERFORMANCE LEVEL 2 CONTACT FINISH: Au OR Au FLASH OVER PdNi

Steckverbinderunterscheidung // connector hardware

1*	2*	3*	4*	5*
Standardausführung + Ausführung mit Gewindeinsatz oder Gewindebolzen standard version + version with thread insert or screwlock stud bolts	Ausführung mit Distanzbolzen version with distance bolts	Ausführung mit Gewindebolzen und Distanzbolzen version with screwlock stud bolts and distance bolts	Ausführung mit Distanzbolzen mit Clip version with distance bolts and grounding socket	Ausführung mit Gewindebolzen und Distanzbolzen mit Clip version with screwlock stud bolts and distance bolts and grounding socket
mit TE-Beschriftung auf Blechteil with TE-marking on the shell	Distanzbolzen distance bolts	mit Gewindebolzen with screwlock stud bolts	mit Distanzbolzen with distance bolts	mit Gewindebolzen with screwlock stud bolts
mit Stopmutter with thread insert	mit TE-Beschriftung auf Blechteil with TE-marking on the shell	mit Distanzbolzen with distance bolts	mit TE-Beschriftung auf Blechteil with TE-marking on the shell	mit Distanzbolzen with distance bolts
mit Gewindebolzen with screwlock stud bolts		mit TE-Beschriftung auf Blechteil with TE-marking on the shell		mit TE-Beschriftung auf Blechteil with TE-marking on the shell
12	20	30	40	50
ja // yes	M3	M3	M3 +	M3
4-40UNC	ja // yes	M3	ja // yes	Clip grounding socket
nein // no		ja // yes	Clip grounding socket	ja // yes
14	22	31	41	51
ja // yes	M3	4-40UNC	4-40UNC +	4-40UNC
nein // no	nein // no	M3	ja // yes	Clip grounding socket
nein // no		nein // no	Clip grounding socket	nein // no
16		32	42	52
ja // yes		M3	M3 +	M3
nein // no		4-40UNC	nein // no	Clip grounding socket
nein // no		nein // no		nein // no
18		33		53
nein // no		4-40UNC		4-40UNC
4-40UNC		nein // no		Clip grounding socket
nein // no				nein // no
19				
ja // yes				
nein // no				
M3				

THIS INFORMATION IS CONFIDENTIAL AND PROPRIETARY TO TYCO ELECTRONICS CORPORATION AND ITS WORLDWIDE SUBSIDIARIES AND AFFILIATES. IT MAY NOT BE DISCLOSED TO ANYONE, OTHER THAN TYCO ELECTRONICS PERSONEL, WITHOUT WRITTEN AUTHORIZATION FROM TYCO ELECTRONICS CORPORATION, HARRISBURG PENNSYLVANIA USA.





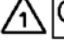



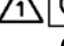
1) nicht für 50-polig
2) nur für Lötstiftlänge 3.2mm
1) not for 50-contacts version
2) not for soldering pin length 3.2mm

TE TE Connectivity		SCALE	WEIGHT
LOC DIMENSIONS IN MM		MATERIAL	
DATE	01.03.90	PART NAME	
NAME	Embo	Sub-D Lötstiften gerade	
APP.	PE Com PE&SE	Stiftleiste mit Schirmfiederung	
TOLERANCE UNLESS SPECIFIED OTHERWISE		D-Sub straight soldering pins	
SEE SHEET 1		PART NO.	
REV. CHANGE ORDER		V42254-A2***-C***-*-27	
DATE		Customer Drawing Nr. C-7-1393483-3	
APP.		SHT. 7+	
		OF 8	


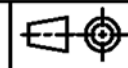
THIS INFORMATION IS CONFIDENTIAL AND PROPRIETARY TO TYCO ELECTRONICS CORPORATION AND ITS WORLDWIDE SUBSIDIARIES AND AFFILIATES. IT MAY NOT BE DISCLOSED TO ANYONE OTHER THAN TYCO ELECTRONICS PERSONNEL, WITHOUT WRITTEN AUTHORIZATION FROM TYCO ELECTRONICS CORPORATION, HARRISBURG PENNSYLVANIA USA

PROPRIETARY:


 OBSOLETE PARTS: OBSOLETE CIS STREAMLINING PER D.RENAUD/D.SINISI

TE PARTNUMBER	OLD PART NUMBER	ALTERNATE TE PARTNUMBER
2-1393502-4	SUPERSEDED BY 1392009-8	
 OBSOLETE 7-1393483-7	V42254-A2114-C215	7-6393483-7
OBSOLETE 7-1393483-8	V42254-A2114-C225	7-6393483-8
OBSOLETE 9-1393483-3	V42254-A2115-C209	
OBSOLETE 9-1393483-4	V42254-A2115-C215	
OBSOLETE 9-1393483-5	V42254-A2115-C225	
OBSOLETE 9-1393483-6	V42254-A2115-C237	
OBSOLETE 1-1393740-5	V42254-A2115-C250	
OBSOLETE 1-1393484-9	V42254-A2141-C209	
 OBSOLETE 2-1393484-0	V42254-A2141-C237	
OBSOLETE 2-1393484-5	V42254-A2151-C209	
OBSOLETE 2-1393740-4	V42254-A2212-C209	
 OBSOLETE 2-1393740-5	V42254-A2212-C215	
OBSOLETE 2-1393740-6	V42254-A2212-C225	
OBSOLETE 3-1393740-3	V42254-A2214-C209	
	3-1393740-4	V42254-A2214-C215
 OBSOLETE 3-1393740-5	V42254-A2214-C225	3-6393740-5
OBSOLETE 3-1393740-6	V42254-A2214-C237	
OBSOLETE 5-1393740-2	V42254-A2215-C209	
 OBSOLETE 5-1393740-3	V42254-A2215-C215	SUPERSEDED BY 7-1393740-9
OBSOLETE 5-1393740-4	V42254-A2215-C225	
	5-1393740-5	V42254-A2215-C237
 OBSOLETE 5-1419149-2	V42254-A2216-C109	
	5-1419149-3	V42254-A2216-C115
	5-1419149-4	V42254-A2216-C125
	5-1419149-5	V42254-A2216-C137
	7-1393740-8	V42254-A2216-C209
	7-1393740-9	V42254-A2216-C215
	8-1393740-0	V42254-A2216-C225
OBSOLETE 8-1393740-1	V42254-A2216-C237	
 OBSOLETE 9-1393740-4	V42254-A2219-C209	
OBSOLETE 9-1393740-6	V42254-A2219-C225	
	9-1393740-7	V42254-A2219-C237
OBSOLETE 3-1393484-7	V42254-A2315-C209	
OBSOLETE 3-1393484-8	V42254-A2315-C215	
	3-1393484-9	V42254-A2315-C225
 OBSOLETE 4-1393484-0	V42254-A2315-C237	
OBSOLETE 9-1393740-9	V42254-A2315-C250	
OBSOLETE 1393741-2	V42254-A2814-C225	
	2-1392010-9	V42254-A2815-C237
 OBSOLETE 1393741-7	V42254-A2819-C225	
OBSOLETE 1857903-3	V42254-A2153-C225	
	1857903-5	V42254-A2153-C250

OBSOLETE

 TE Connectivity		 DIMENSIONS IN MM	SCALE 2:1	WEIGHT
			MATERIAL	
DATE 01.05.90 NAME Embo DEP. PE Com PE&SE		PART NAME Sub-D Loetstiften gerade Stiflleiste mit Schirmfiederung D-Sub straight soldering pins male connector with grounding fingers		
TOLERANCE UNLESS SPECIFIED OTHERWISE		PART NO. V42254-A2***-C***-*27		
SEE SHEET 1		SHT. 8+		
REV.	CHANGE ORDER	DATE	APP.	Customer Drawing Nr. C-7-1393483-3

OF 8