



Chipsmall Limited consists of a professional team with an average of over 10 year of expertise in the distribution of electronic components. Based in Hongkong, we have already established firm and mutual-benefit business relationships with customers from,Europe,America and south Asia,supplying obsolete and hard-to-find components to meet their specific needs.

With the principle of "Quality Parts,Customers Priority,Honest Operation,and Considerate Service",our business mainly focus on the distribution of electronic components. Line cards we deal with include Microchip,ALPS,ROHM,Xilinx,Pulse,ON,Everlight and Freescale. Main products comprise IC,Modules,Potentiometer,IC Socket,Relay,Connector.Our parts cover such applications as commercial,industrial, and automotives areas.

We are looking forward to setting up business relationship with you and hope to provide you with the best service and solution. Let us make a better world for our industry!



## Contact us

Tel: +86-755-8981 8866 Fax: +86-755-8427 6832

Email & Skype: info@chipsmall.com Web: www.chipsmall.com

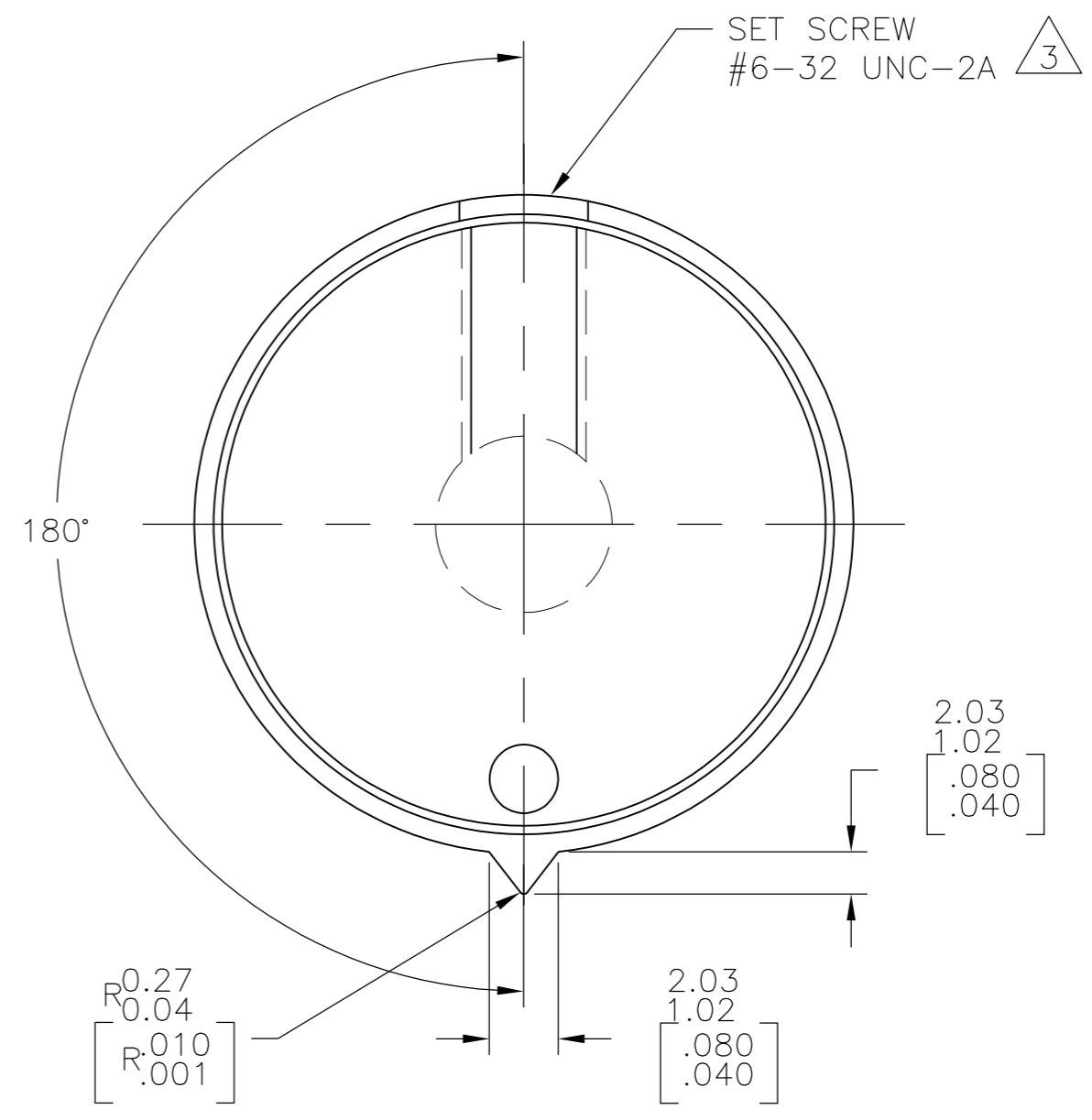
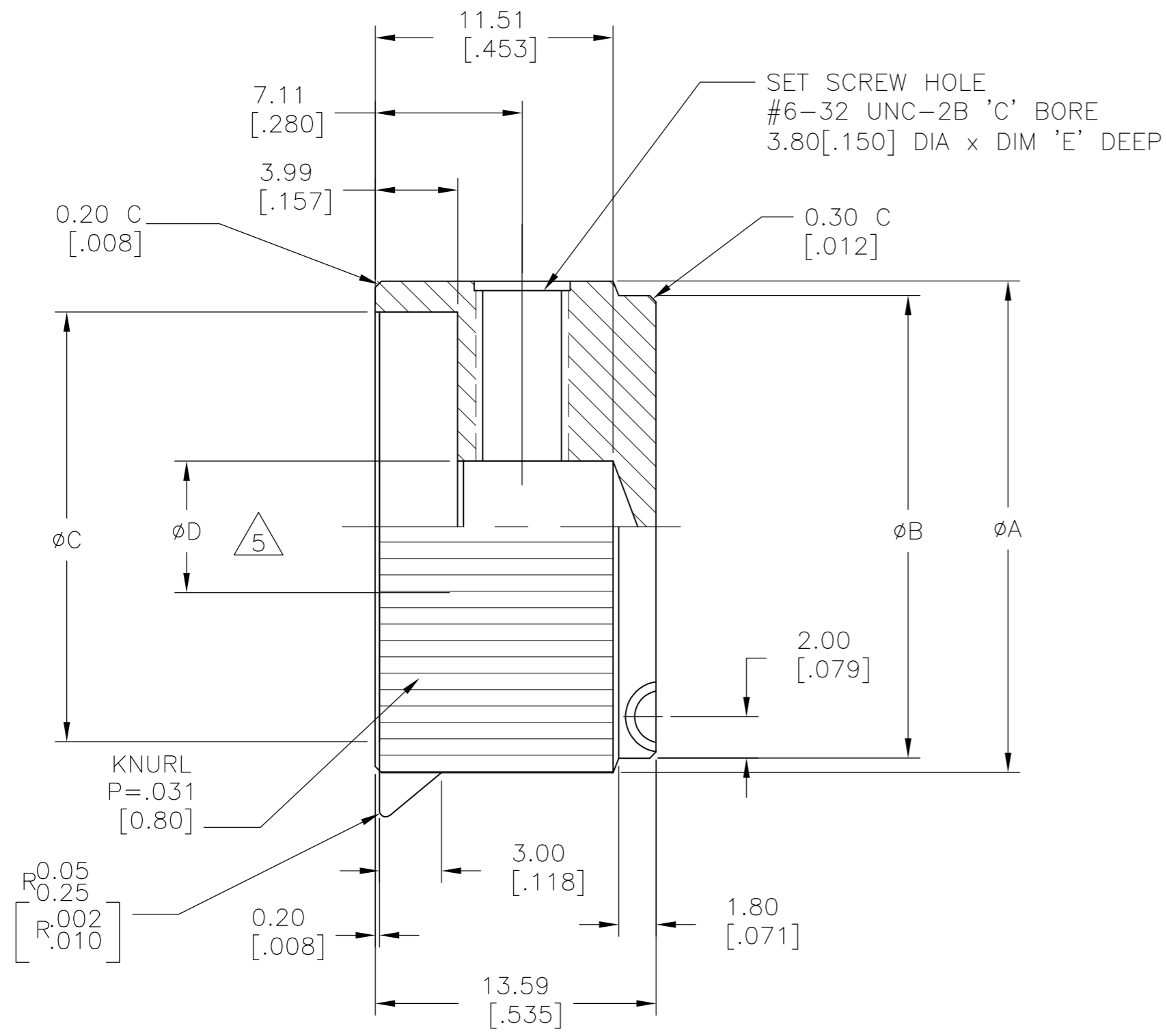
Address: A1208, Overseas Decoration Building, #122 Zhenhua RD., Futian, Shenzhen, China



THIS DRAWING IS UNPUBLISHED. RELEASED FOR PUBLICATION  
 © COPYRIGHT BY TYCO ELECTRONICS CORPORATION. ALL INTERNATIONAL RIGHTS RESERVED.

LOC		DIST		REVISIONS			
P	LTR	DESCRIPTION		DATE	DWN	APVD	
A		REDRAWN PER ECO-08-031330		17DEC08	HMR	MW	

- 1 PARTS TO BE CLEAN AND DRY WHEN RECEIVED
- 2 BURRS CAUSED BY TAPPING MUST NOT INTERFERE WITH SHAFT INSERTION TO FULL SHAFT DEPTH, NOR ARE BURRS ALLOWED ABOVE OUTER SURFACES.
- 3 1 STAINLESS STEEL SOCKET SET SCREWS
- 4 KNOB 5056S ALUMINUM ALLOY, COLOR SEE TABLE
- 5 SHAFT HOLE TOLERANCE  $+0.003/-0.000$



BLACK	0.079 [2.00]	0.251 [6.38]	0.819 [20.80]	0.882 [22.40]	0.937 [23.80]	KNP900B1/4	7-1437622-1
CLEAR	0.059 [1.50]	0.251 [6.38]	0.622 [15.80]	0.685 [17.40]	0.740 [18.80]	KNP700A1/4	7-1437622-0
ANODIZE	E	D	C	B	A	MODEL NO	PART NUMBER

THIS DRAWING IS A CONTROLLED DOCUMENT.		DWN RAGHAVENDRA 17DEC08	Tyco Electronics Corporation Harrisburg, PA 17105-3608	
DIMENSIONS: mm [INCHES]		CHK WILBOURN M 17DEC08	NAME ALUMINUM KNOB (KNP SERIES)	
TOLERANCES UNLESS OTHERWISE SPECIFIED:		APVD WILBOURN M 17DEC08	SIZE A2	
0 PLC ± -		PRODUCT SPEC	CAGE CODE 00779	DRAWING NO C=7-1437622-0
1 PLC ± -		APPLICATION SPEC	RESTRICTED TO -	
2 PLC ± -			SCALE 4:1	
3 PLC ± .015			SHEET 1 of 1	
4 PLC ± -			REV A	
ANGLES ± 3°				
MATERIAL 4	FINISH -	WEIGHT -	CUSTOMER DRAWING	