



Chipsmall Limited consists of a professional team with an average of over 10 year of expertise in the distribution of electronic components. Based in Hongkong, we have already established firm and mutual-benefit business relationships with customers from,Europe,America and south Asia,supplying obsolete and hard-to-find components to meet their specific needs.

With the principle of “Quality Parts,Customers Priority,Honest Operation,and Considerate Service”,our business mainly focus on the distribution of electronic components. Line cards we deal with include Microchip,ALPS,ROHM,Xilinx,Pulse,ON,Everlight and Freescale. Main products comprise IC,Modules,Potentiometer,IC Socket,Relay,Connector.Our parts cover such applications as commercial,industrial, and automotives areas.

We are looking forward to setting up business relationship with you and hope to provide you with the best service and solution. Let us make a better world for our industry!



## Contact us

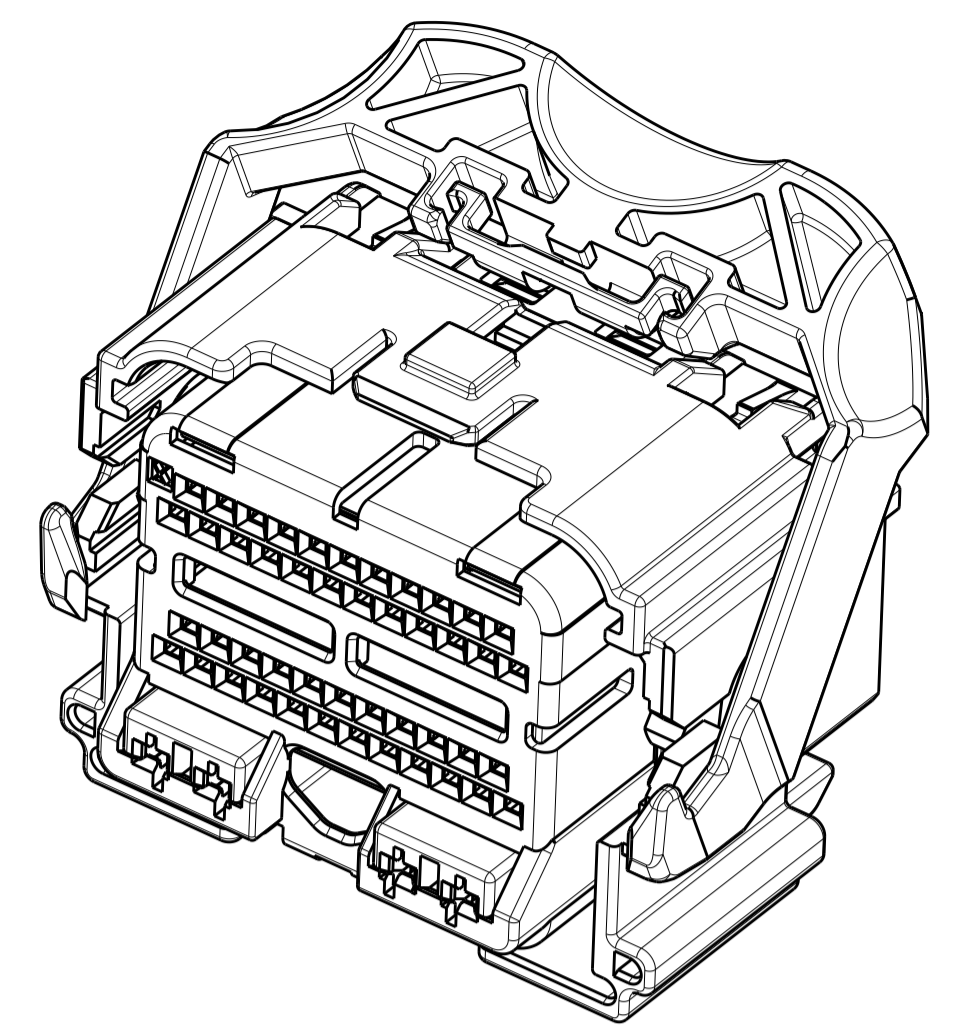
Tel: +86-755-8981 8866 Fax: +86-755-8427 6832

Email & Skype: info@chipsmall.com Web: www.chipsmall.com

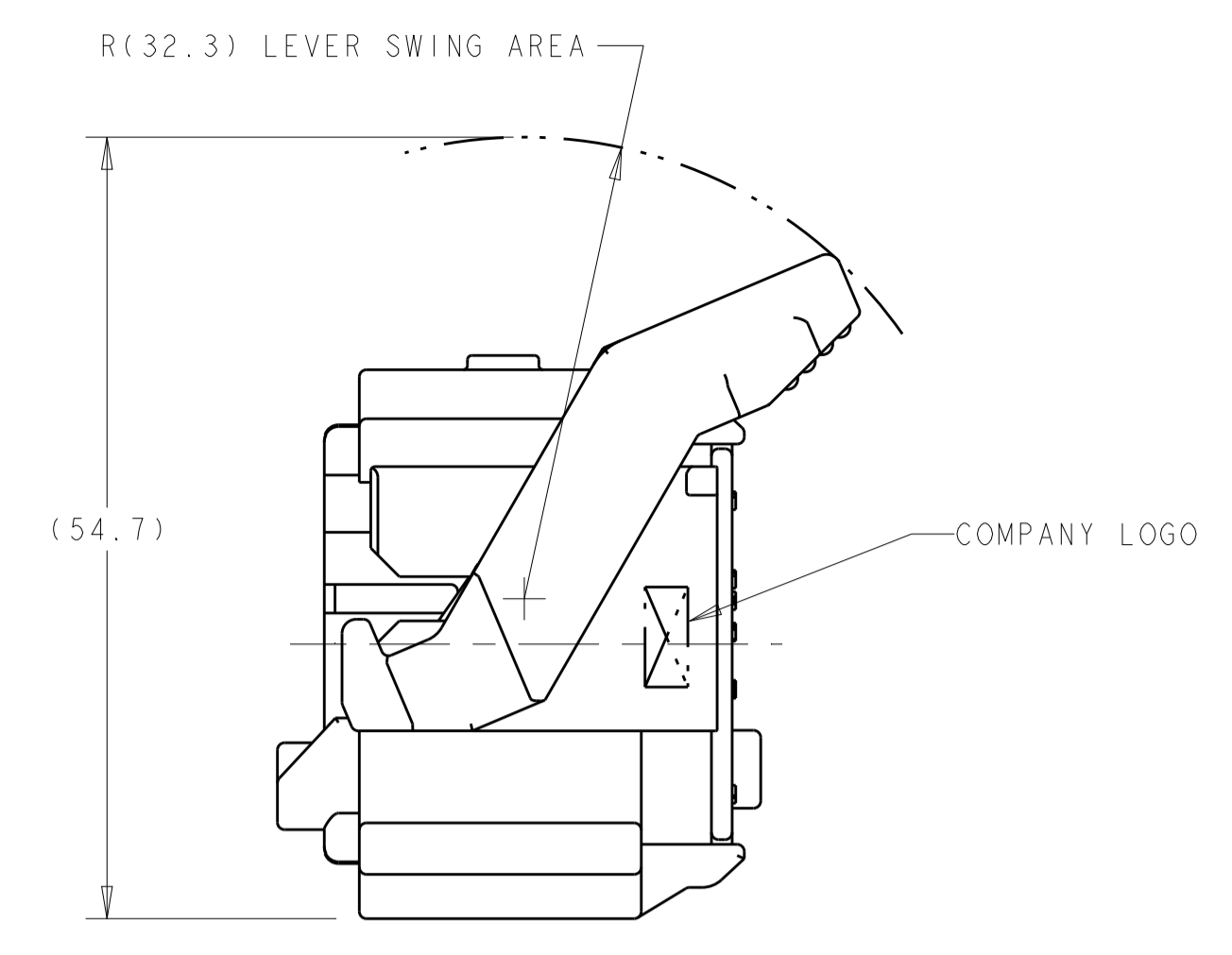
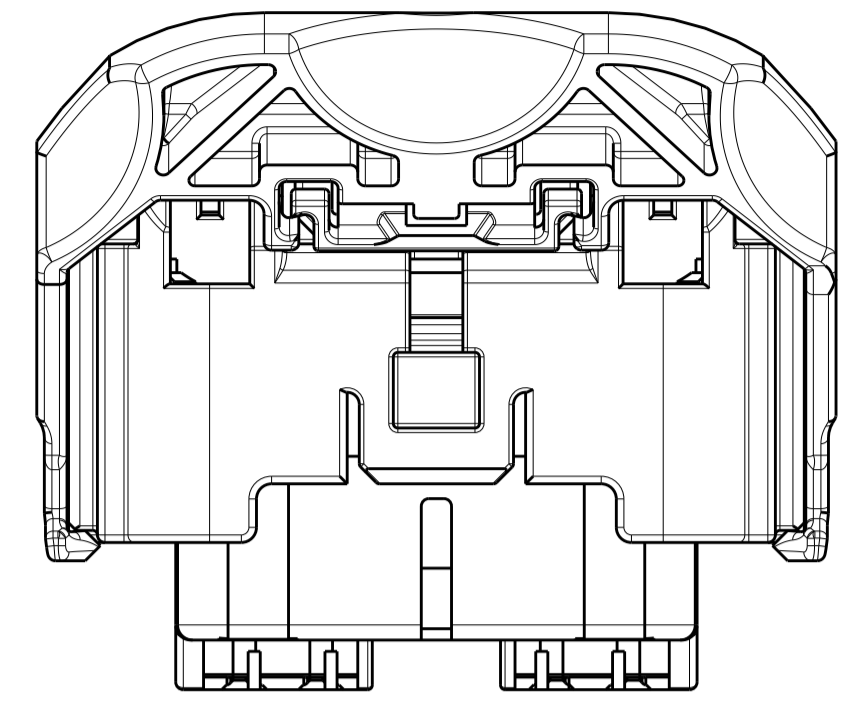
Address: A1208, Overseas Decoration Building, #122 Zhenhua RD., Futian, Shenzhen, China



REVISIONS				
P.	LTN	DESCRIPTION	DATE	OWN APVD
A15		REVISED PER ECO-11-002569	25FEB2011	DLD DCM
A16		REVISED PER ECO-14-011102	22JUL2014	DLD DCM

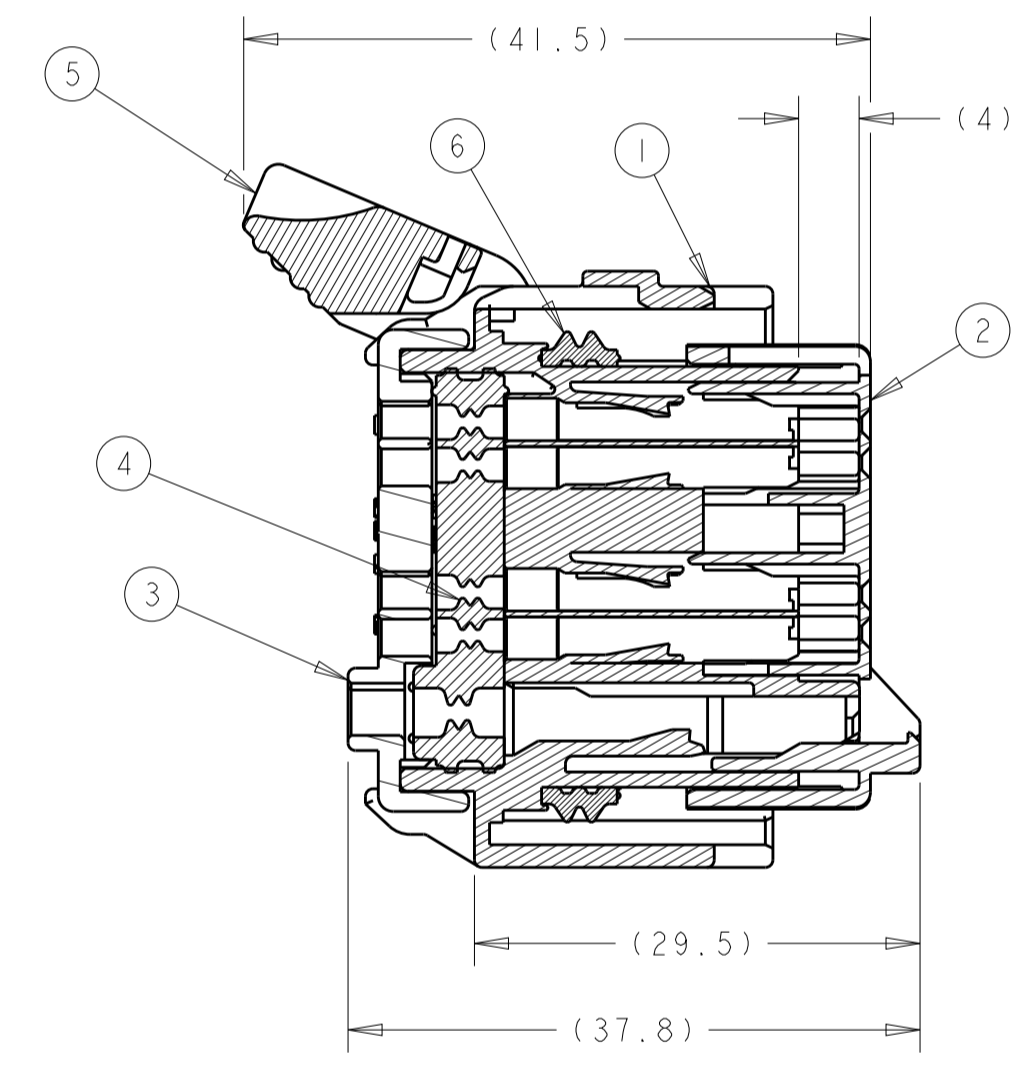


PART NUMBER:  
1438691-1  
SHOWN WITH SPACER  
IN SEATED POSITION  
SCALE 2:1

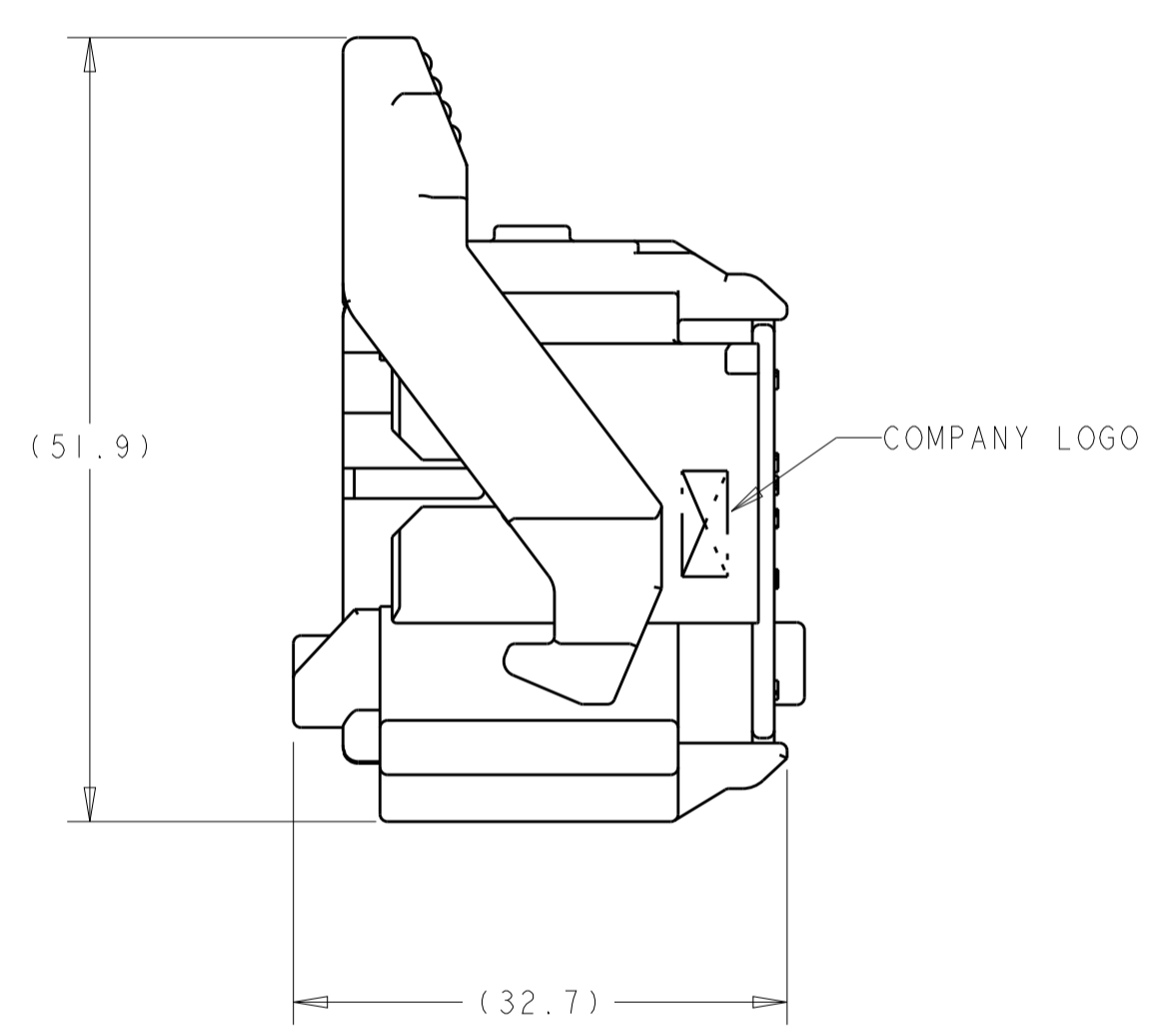
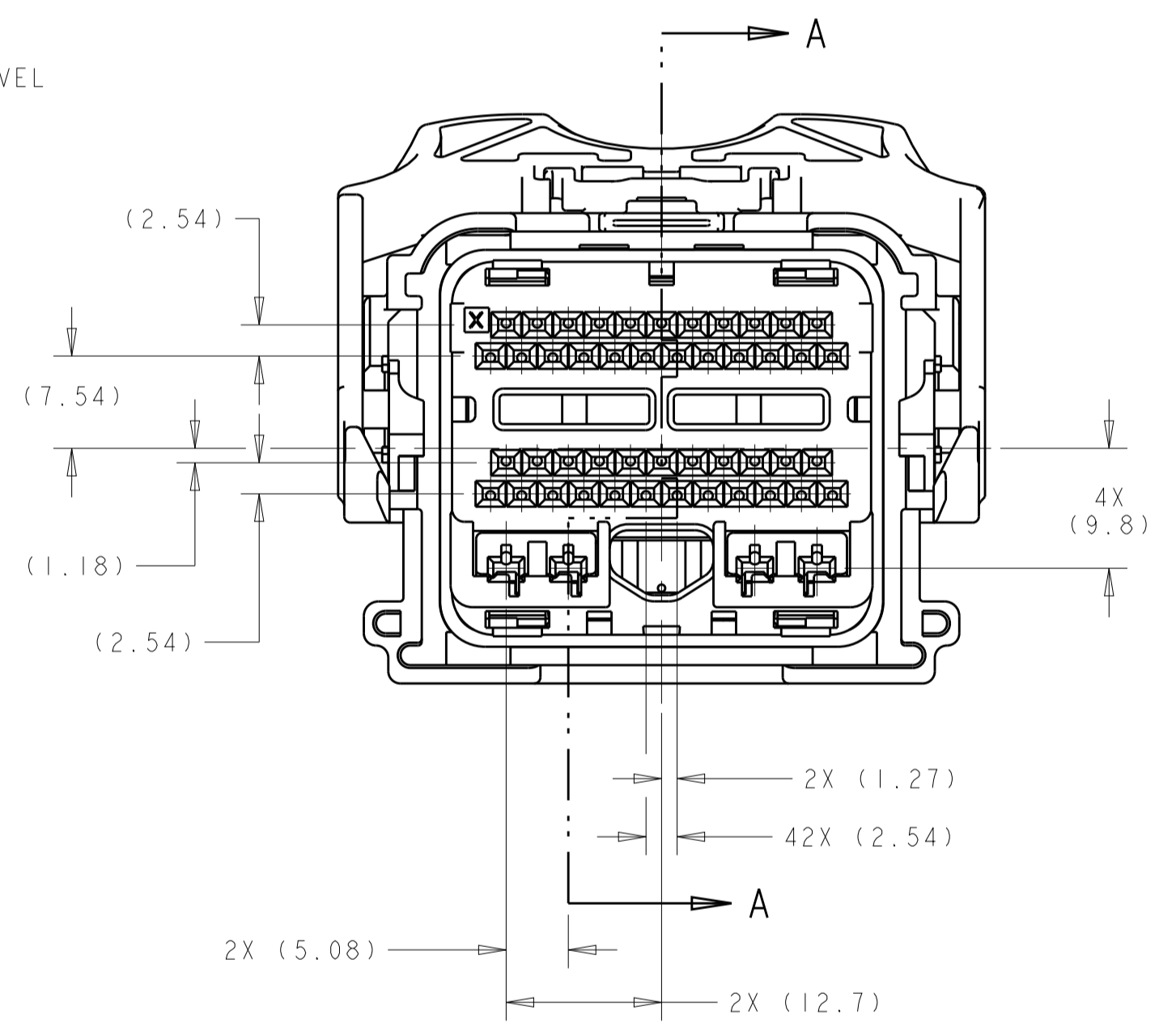


SHOWN WITH SPACER IN SEATED POSITION

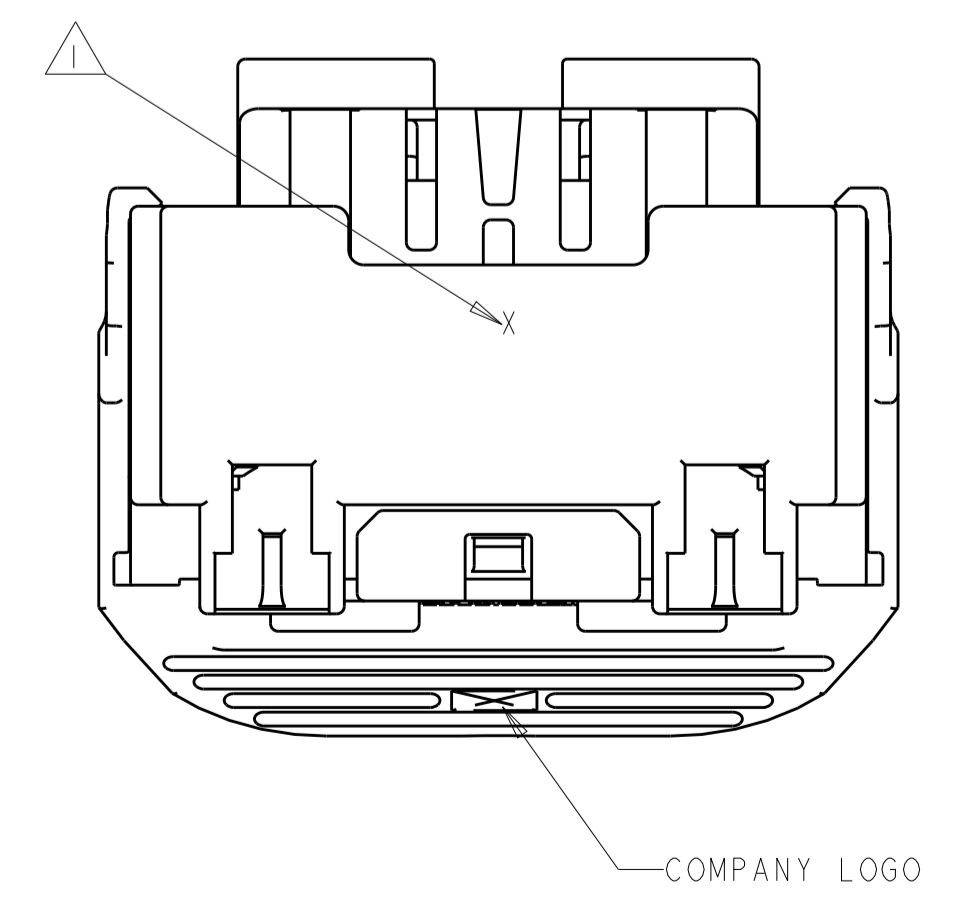
- △ PRINT TE PART NUMBER AND TRACEABILITY (YY : 2 DIGIT YEAR, JJJ = JULIAN DATE, HH = 2 DIGIT MILITARY HOUR CODE) IN THE LOCATION AT ASSEMBLY.
- △ OPTIONAL WIRE SHIELD PART NUMBERS (SOLD SEPARATELY) 1438126, 1438180, 1488373, AND 1488572. CONTACT TE ENGINEERING FOR MINIMUM FEED THRU CONDITION.
- 3. APPLICABLE TERMINAL PART NUMBERS (SOLD SEPARATELY) FOR TIN APPLICATIONS: 1393367 AND 1393366. FOR GOLD APPLICATIONS: 1393365 AND 1393364 FOR TERMINATION AND REELING OPTIONS SEE DRAWINGS 1393367, 1393366, 1393365, AND 1393364.
- 4. APPLICABLE MOLEX (1.5) POWER TERMINAL PART NUMBERS: 33012-0002 TIN 0.50-1.50mm<sup>2</sup>
- 5. CAM LEVER AND SPACER ARE SHIPPED IN THEIR PRE-ASSEMBLED POSITIONS.
- 6. REFERENCE TE INSTRUCTION SHEET 408-8893.



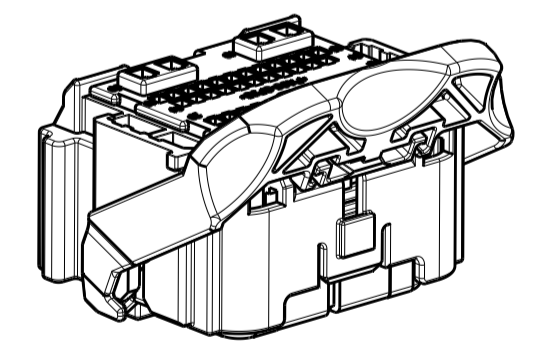
SECTION A-A  
SPACER AND LEVER IN  
PRE-SEATED POSITION  
(DELIVERY CONDITION)



SHOWN WITH CAM  
LEVER AND SPACER  
IN LOADED POSITION



COMPANY LOGO



SCALE 1:1

GREEN	PERIMETER SEAL	6
GRAY	LEVER	5
BROWN	GROMMET SEAL	4
BLACK	COVER	3
RED	SPACER	2
BLACK	HARNESS, KEY "A"	1
PART COLOR	DESCRIPTION	ITEM NO.

THIS DRAWING IS A CONTROLLED DOCUMENT.		OWN B. CRISAMORE 21 JUL 2004	
DIMENSIONS: mm		CHK M. HITCHCOCK 21 JUL 2004	
TOLERANCES UNLESS OTHERWISE SPECIFIED:		APVD C. MARTIN 21 JUL 2004	NAME ASSEMBLY, 50-WAY, KEY A, PCM HARNESS
0 PLC ± 1 PLC ±0.3 2 PLC ±0.10 3 PLC ± 4 PLC ± ANGLES ±1°		PRODUCT SPEC APPLICATION SPEC WEIGHT Customer Drawing	
MATERIAL		SIZE CAGE CODE DRAWING NO	RESTRICTED TO
		A100779C=1438691	SCALE 2:1 SHEET 1 OF 4 REV A16




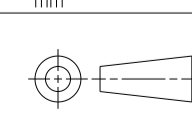
REVISIONS				
P.	LTN	DESCRIPTION	DATE	APP'D
-	-	SEE SHEET 1	-	-

		46	45	44	43	41	39	38	37	36	35	33	32	31	29	28	23	22	21	19	18	13	6	5	6-1438691-8																							
					43	41	39	38	37	36	35	33	32	31	29	28									6-1438691-7																							
					43	41	39	38	37	36	35	33	32	31	29	28									6-1438691-6																							
					43	41	39	38	37	36	35	33	32	31	29	28									6-1438691-5																							
					43	41	40	39	38	37	36	35	33	32	31	29	28								6-1438691-4																							
					43	41	40	39	38	37	36	35	33	32	31	29	28								6-1438691-3																							
					43	41	40	39	38	37	36	35	33	32	31	29	28								6-1438691-2																							
					43	41	40	39	38	37	36	35	33	32	31	29	28								6-1438691-1																							
					43	41	40	39	38	37	36	35	33	32	31	29	28								6-1438691-0																							
					43	42	41	40	39	38	37	36	35	33	32	29	28								5-1438691-9																							
					43	42	41	40	39	38	37	36	35	33	32	29	28								5-1438691-8																							
					43	42	41	40	39	38	37	36	35	33	32	29	28								5-1438691-7																							
					43	42	41	40	39	38	37	36	35	33	32	29	28								5-1438691-6																							
					43	42	41	40	39	38	37	36	35	33	32	29	28								5-1438691-5																							
					43	42	41	40	39	38	37	36	35	33	32	29	28								5-1438691-4																							
					43	42	41	40	39	38	37	36	35	33	32	29	28								5-1438691-3																							
					43	42	41	40	39	38	37	36	35	33	32	29	28								5-1438691-2																							
					43	42	41	40	39	38	37	36	35	33	32	29	28								5-1438691-1																							
					43	42	41	40	39	38	37	36	35	33	32	29	28								5-1438691-0																							
					43	42	41	40	39	38	37	36	35	33	32	29	28								4-1438691-9																							
					43	42	41	40	39	38	37	36	35	33	32	29	28								4-1438691-8																							
					43	42	41	40	39	38	37	36	35	33	32	29	28								4-1438691-7																							
					43	42	41	40	39	38	37	36	35	33	32	29	28								4-1438691-6																							
					43	42	41	40	39	38	37	36	35	33	32	29	28								4-1438691-5																							
					43	42	41	40	39	38	37	36	35	33	32	29	28								4-1438691-4																							
					43	42	41	40	39	38	37	36	35	33	32	29	28								4-1438691-3																							
					43	42	41	40	39	38	37	36	35	33	32	29	28								4-1438691-2																							
					43	42	41	40	39	38	37	36	35	33	32	29	28								4-1438691-1																							
					43	42	41	40	39	38	37	36	35	33	32	29	28								4-1438691-0																							
					43	42	41	40	39	38	37	36	35	33	32	29	28								3-1438691-9																							
					43	42	41	40	39	38	37	36	35	33	32	29	28								3-1438691-8																							
					43	42	41	40	39	38	37	36	35	33	32	29	28								3-1438691-7																							
					43	42	41	40	39	38	37	36	35	33	32	29	28								3-1438691-6																							
					43	42	41	40	39	38	37	36	35	33	32	29	28								3-1438691-5																							
					43	42	41	40	39	38	37	36	35	33	32	29	28								3-1438691-4																							
					43	42	41	40	39	38	37	36	35	33	32	29	28								3-1438691-3																							
					43	42	41	40	39	38	37	36	35	33	32	29	28								3-1438691-2																							
					43	42	41	40	39	38	37	36	35	33	32	29	28								3-1438691-1																							
					43	42	41	40	39	38	37	36	35	33	32	29	28								3-1438691-0																							
					43	42	41	40	39	38	37	36	35	33	32	29	28								2-1438691-9																							
					43	42	41	40	39	38	37	36	35	33	32	29	28								2-1438691-8																							
					43	42	41	40	39	38	37	36	35	33	32	29	28								2-1438691-7																							
					43	42	41	40	39	38	37	36	35	34	33	32	29	28							2-1438691-6																							
					43	42	41	40	39	38	37	36	35	34	33	32	29	28							2-1438691-5																							
					43	42	41	40	39	38	37	36	35	34	33	32	29	28							2-1438691-4																							
					43	42	41	40	39	38	37	36	35	34	32	29	28								2-1438691-3																							
					43	42	41	40	39	38	37	36	35	34	32	29	28								2-1438691-2																							
					43	42	41	40	39	38	37	36	35	34	32	29	28								2-1438691-1																							
					43	42	41	40	39	38	37	36	35	34	33	32	29	28							2-1438691-0																							
					43	42	41	40	39	38	37	36	35	34	32	29	28								1-1438691-9																							
					43	42	41	40	39	38	37	36	35	34	32	29	28								1-1438691-8																							
					43	42	41	40	39	38	37	36	35	34	32	29	28								1-1438691-7																							
					43	42	41	40	39	38	37	36	35	34	32	29	28								1438691-8																							
					43	42	41	40	39	38	37	36	35	34	33	32	29	28							1438691-7																							
					43	42	41	40	39	38	37	36	35	34	33	32	29	28							1438691-6																							
					43	42	41	40	39	38	37	36	35	34	33	32	29	28							1438691-5																							
					43	42	41	40	39	38	37	36	35	34	33	32	29	28							1438691-4																							
					43	42	41	40	39	38	37	36	35	34	33	32	29	28							1438691-3																							
					43	42	41	40	39	38	37	36	35	34	33	32	29	28							1438691-2																							
					43	42	41	40	39	38	37	36	35	34	33	32	29	28							1438691-1																							
					43	42	41	40	39	38	37	36	35	34	33	32	31	30	29	28	27	26	25	24	23	22	21	20	19	18	17	16	15	14	13	12	11	10	9	8	7	6	5	4	3	2	1	ASSEMBLY PART NUMBER

KEYING OPTION A

CAVITIES WITH A NUMERIC SYMBOL INDICATES CLOSED TERMINAL LOCATIONS  
 BLANK CAVITIES INDICATES OPEN TERMINAL HOLE LOCATIONS

PIN-OUT CHART

THIS DRAWING IS A CONTROLLED DOCUMENT.		DWN: B. CRISAMORE 21 JUL 2004 CHK: M. HITCHCOCK 21 JUL 2004 APVD: C. MARTIN 21 JUL 2004	 TE Connectivity ASSEMBLY, 50-WAY, KEY A, PCM HARNESS
DIMENSIONS: mm 	TOLERANCES UNLESS OTHERWISE SPECIFIED: 0 PLC ±.3 1 PLC ±0.10 2 PLC ±.1 3 PLC ±.1 4 PLC ±.1 ANGLES FINISH ±.1	PRODUCT SPEC APPLICATION SPEC WEIGHT SCALE: 2:1 SHEET 3 OF 4 REV: A16	
MATERIAL	FINISH	Customer Drawing	SIZE: A100779 CAGE CODE: 1438691

