



Chipsmall Limited consists of a professional team with an average of over 10 year of expertise in the distribution of electronic components. Based in Hongkong, we have already established firm and mutual-benefit business relationships with customers from,Europe,America and south Asia,supplying obsolete and hard-to-find components to meet their specific needs.

With the principle of “Quality Parts,Customers Priority,Honest Operation,and Considerate Service”,our business mainly focus on the distribution of electronic components. Line cards we deal with include Microchip,ALPS,ROHM,Xilinx,Pulse,ON,Everlight and Freescale. Main products comprise IC,Modules,Potentiometer,IC Socket,Relay,Connector.Our parts cover such applications as commercial,industrial, and automotives areas.

We are looking forward to setting up business relationship with you and hope to provide you with the best service and solution. Let us make a better world for our industry!



## Contact us

Tel: +86-755-8981 8866 Fax: +86-755-8427 6832

Email & Skype: info@chipsmall.com Web: www.chipsmall.com

Address: A1208, Overseas Decoration Building, #122 Zhenhua RD., Futian, Shenzhen, China



**REVISION(S)**

LTR	DESCRIPTION	INIT	APP'D
O	ECN: 0S60-0151-04	E.T 5/27/04	B.P 6/1/04
A	ECR-06-006213	E.T 3/14/06	C.W 3/14/06

NOTE:

1. MATERIAL:

HEAT SINK: ALUM. (BLACK ANODIZE)  
CLIP: BLACK PEI (UL94-VO)

2. BEFORE THE HEATSINK APPLICATION, THE USER SHOULD IDENTIFY THE SPECIFICATION OF MAXIMUM LOAD ON THE BGA PACKAGE.

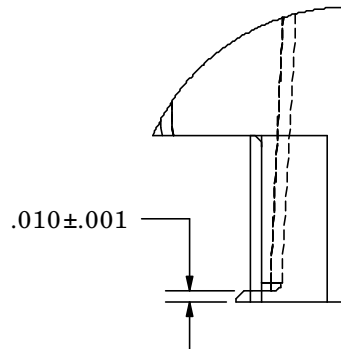
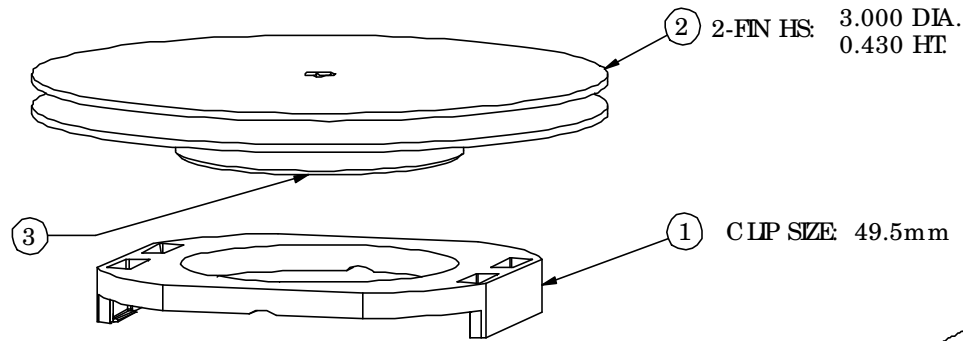
HEATSINK TORQUE SPECIFICATIONS CONVERTED TO FORCE.

BARE DIE PACKAGE:  
3.0 INCH - LB TORQUE = 8.8 LBS FORCE  
3.5 INCH - LB TORQUE = 10.2 LBS FORCE

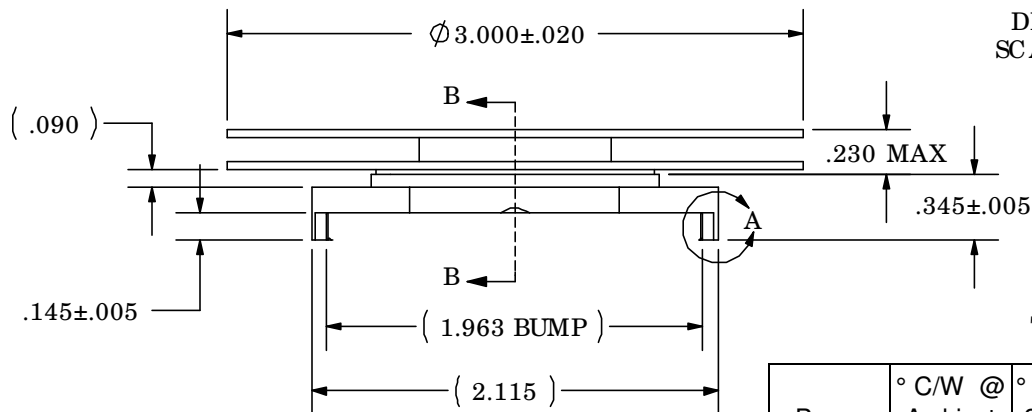
FULL SIZE LID PACKAGE:  
3.0 INCH - LB TORQUE = 6.9 LBS FORCE  
3.5 INCH - LB TORQUE = 8.1 LBS FORCE

3. REMOVE CLIP WITH REMOVAL TOOL P/N: 1542616-1

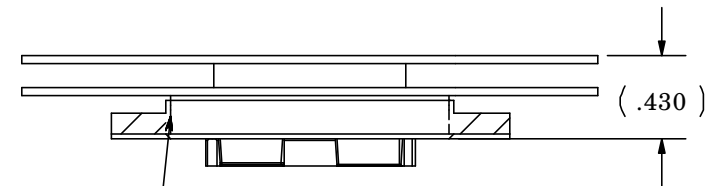
4. RoHS COMPLANT AND CERTIFIED.



DETAIL A  
SCALE = 6X



Ø 1 1/2" - 27 UNS-2A  
THREAD



SECTION B-B

Power	° C/W @ Ambient	° C/W @ 200 LFM	° C/W @ 400 LFM	° C/W @ 600 LFM
5 Watts	5.69	3.08	2.04	1.75
10 Watts	5.33	2.95	1.94	1.63
15 Watts	5.08	2.90	1.89	1.59

**CUSTOMER DRAWING**

SPECIFICATIONS ARE SUBJECT TO CHANGE WITHOUT NOTICE

ITEM	DESCRIPTION	QTY
1	MOUNTING CLIP	1
2	HEAT SINK	1
3	INTERFACE	1

DO NOT SCALE

**tyco** / Electronics    Attleboro Falls Massachusetts 02763

UNLESS OTHERWISE SPECIFIED TO TOLERANCES ARE:  
.XX ±  
.XXX ±  
.XXXX ±  
ANGLES ±

DRAWN BY: E.TAO	DATE: 5/27/04	MATERIAL: SEE NOTE
ENGINEER: B.PETROCELLI	DATE: 6/1/04	FINISH: SEE NOTE
FILENAME	PROJECT	SYSTEM

CONFIDENTIAL PROPERTY OF TYCO ELECTRONICS. NOT TO BE DISCLOSED TO OTHERS. REPRODUCED OR USED FOR ANY PURPOSES EXCEPT AS AUTHORIZED IN WRITING BY AN AUTHORIZED OFFICIAL OF TYCO. MUST BE RETURNED TO TYCO ON DEMAND, ON COMPLETION OF ORDERS OR OTHER PURPOSES FOR WHICH LENT.

TITLE:  
**HEAT SINK ASSEMBLY (HIS774-P)**

DIMENSIONS ARE IN: INCHES	SCALE: 1:1	PARTNO: <b>6-1542004-2</b>	SHEET: 1 OF 1
TRND ANGLE PROJECT TO	SIZE: <b>A</b>	DWG. NO. <b>C-6-1542004-2</b>	REV: <b>A</b>