



Chipsmall Limited consists of a professional team with an average of over 10 year of expertise in the distribution of electronic components. Based in Hongkong, we have already established firm and mutual-benefit business relationships with customers from,Europe,America and south Asia,supplying obsolete and hard-to-find components to meet their specific needs.

With the principle of “Quality Parts,Customers Priority,Honest Operation,and Considerate Service”,our business mainly focus on the distribution of electronic components. Line cards we deal with include Microchip,ALPS,ROHM,Xilinx,Pulse,ON,Everlight and Freescale. Main products comprise IC,Modules,Potentiometer,IC Socket,Relay,Connector.Our parts cover such applications as commercial,industrial, and automotives areas.

We are looking forward to setting up business relationship with you and hope to provide you with the best service and solution. Let us make a better world for our industry!



Contact us

Tel: +86-755-8981 8866 Fax: +86-755-8427 6832

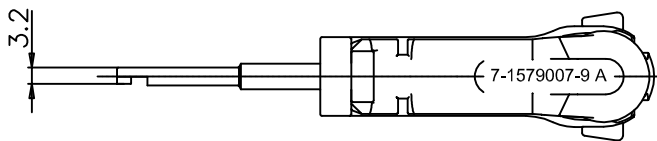
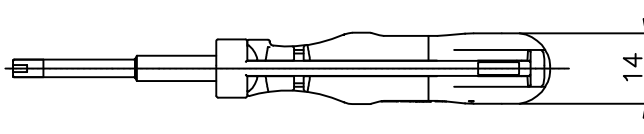
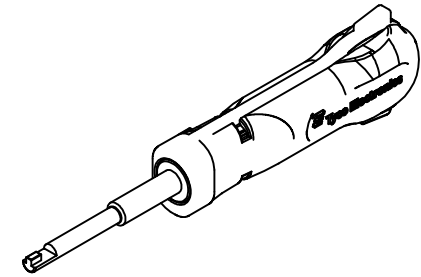
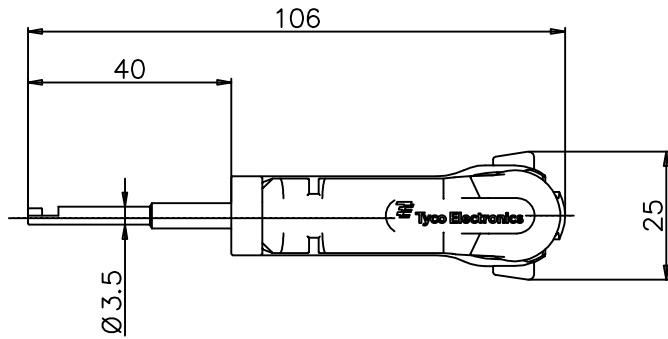
Email & Skype: info@chipsmall.com Web: www.chipsmall.com

Address: A1208, Overseas Decoration Building, #122 Zhenhua RD., Futian, Shenzhen, China



THIS DRAWING IS UNPUBLISHED. RELEASED FOR PUBLICATION
 © COPYRIGHT - BY TYCO ELECTRONICS CORPORATION. ALL INTERNATIONAL RIGHTS RESERVED.

LOC		DIST		REVISIONS				
P	LTR	DESCRIPTION			DATE	DWN	APVD	
	A	INITIAL REVISION			17DEC09	LS	GS	



APPLICATION RANGE / Anwendungsbereich :

FOR MQS CONTACT: **962886 and 965908**

MQS HOUSING 8/12 POL.: **929346 and 929342**

THIS DRAWING IS A CONTROLLED DOCUMENT.		DWN L. Sandhu	17DEC09	 Tyco Electronics AMP GmbH 64625 Bensheim (Germany)	NAME EXTRACTION TOOL Entriegelungswerkzeug	
DIMENSIONS: mm		CHK G. Stegamyer	17DEC09			
TOLERANCES UNLESS OTHERWISE SPECIFIED:		APVD G. Stegamyer	17DEC09	PRODUCT SPEC	RESTRICTED TO	
<ul style="list-style-type: none"> 0 PLC ± - 1 PLC ± - 2 PLC ± - 3 PLC ± - 4 PLC ± - ANGLES ± - 		APPLICATION SPEC	—	SIZE A3	CAGE CODE 00779	
MATERIAL		FINISH	WEIGHT	DRAWING NO 7-1579007-9		
CUSTOMER DRAWING				SCALE 1:1	SHEET 1 of 1	REV A