



Chipsmall Limited consists of a professional team with an average of over 10 year of expertise in the distribution of electronic components. Based in Hongkong, we have already established firm and mutual-benefit business relationships with customers from,Europe,America and south Asia,supplying obsolete and hard-to-find components to meet their specific needs.

With the principle of "Quality Parts,Customers Priority,Honest Operation,and Considerate Service",our business mainly focus on the distribution of electronic components. Line cards we deal with include Microchip,ALPS,ROHM,Xilinx,Pulse,ON,Everlight and Freescale. Main products comprise IC,Modules,Potentiometer,IC Socket,Relay,Connector.Our parts cover such applications as commercial,industrial, and automotives areas.

We are looking forward to setting up business relationship with you and hope to provide you with the best service and solution. Let us make a better world for our industry!



Contact us

Tel: +86-755-8981 8866 Fax: +86-755-8427 6832

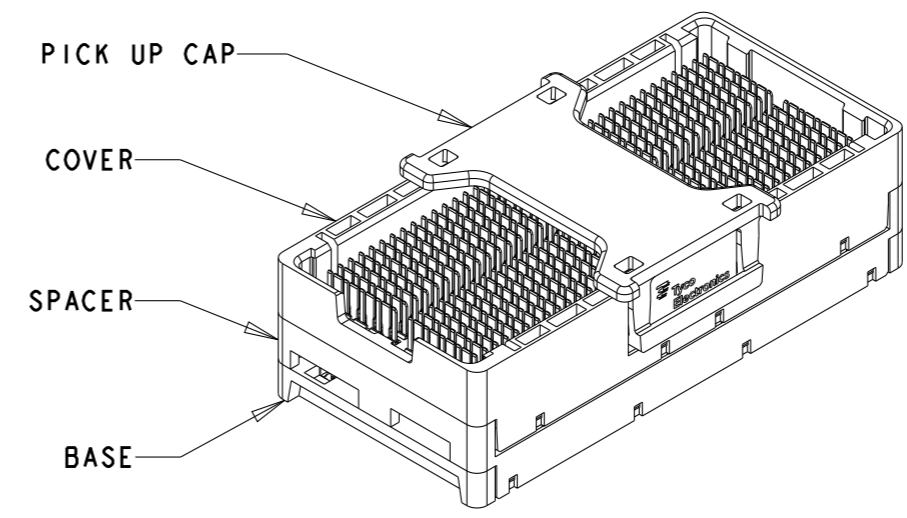
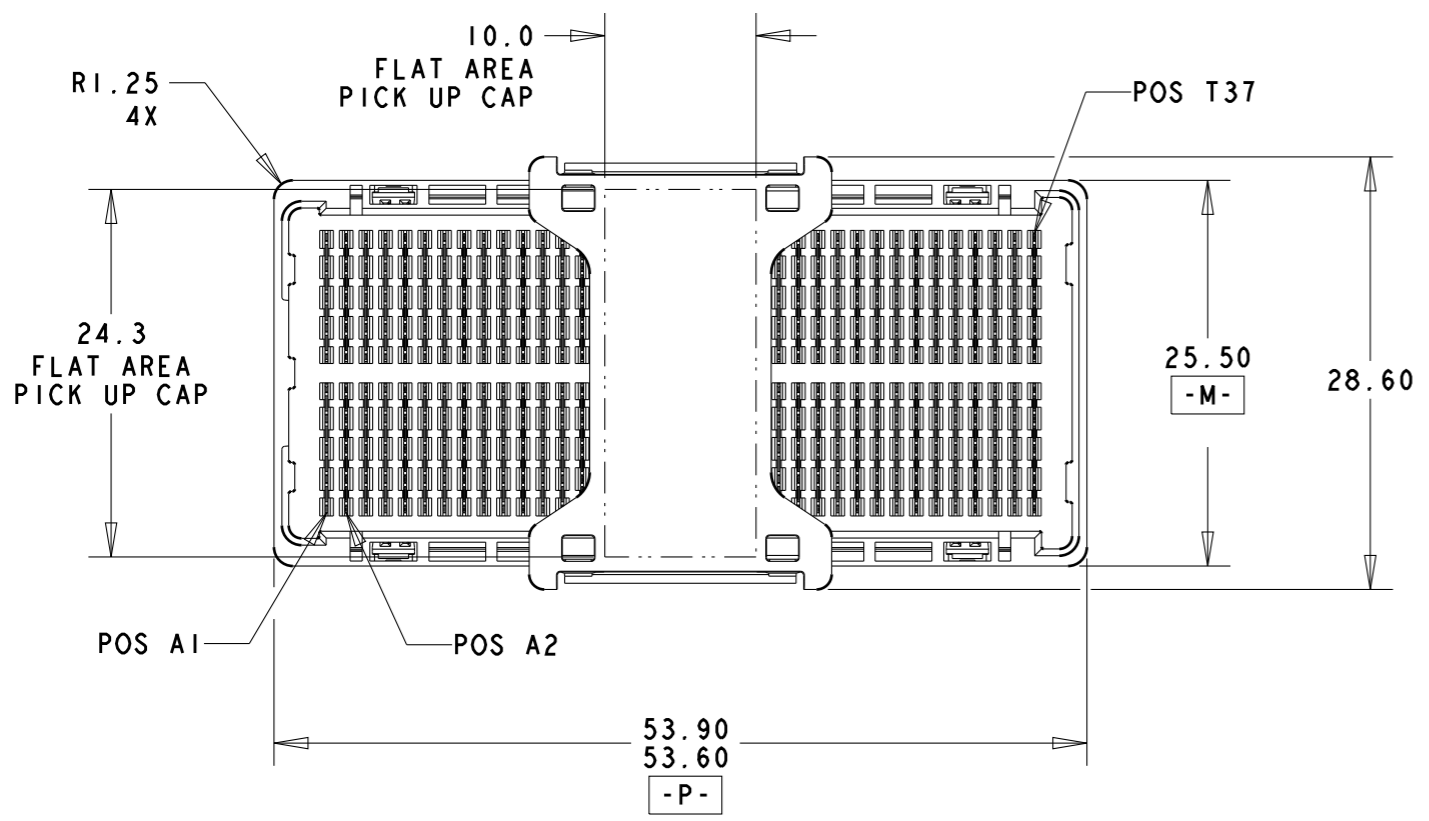
Email & Skype: info@chipsmall.com Web: www.chipsmall.com

Address: A1208, Overseas Decoration Building, #122 Zhenhua RD., Futian, Shenzhen, China



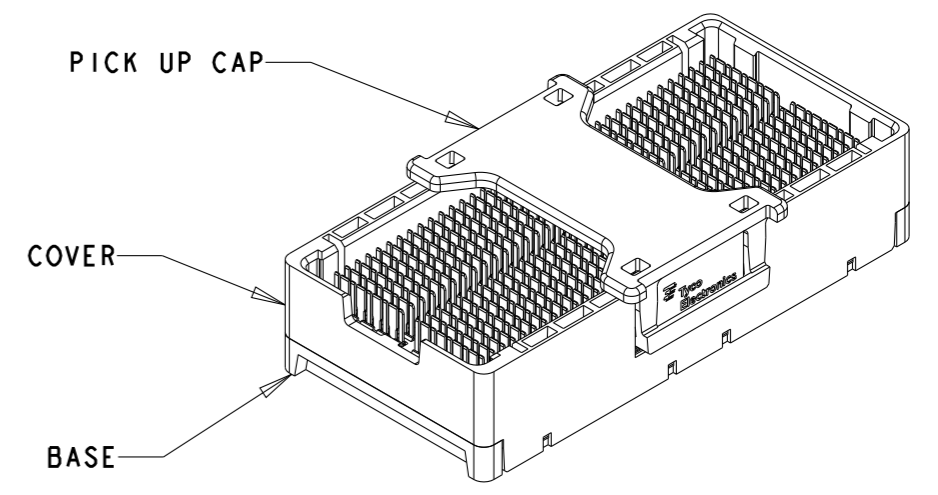
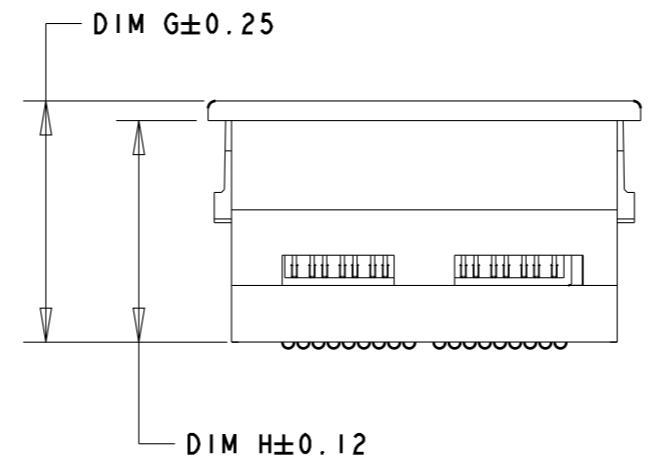
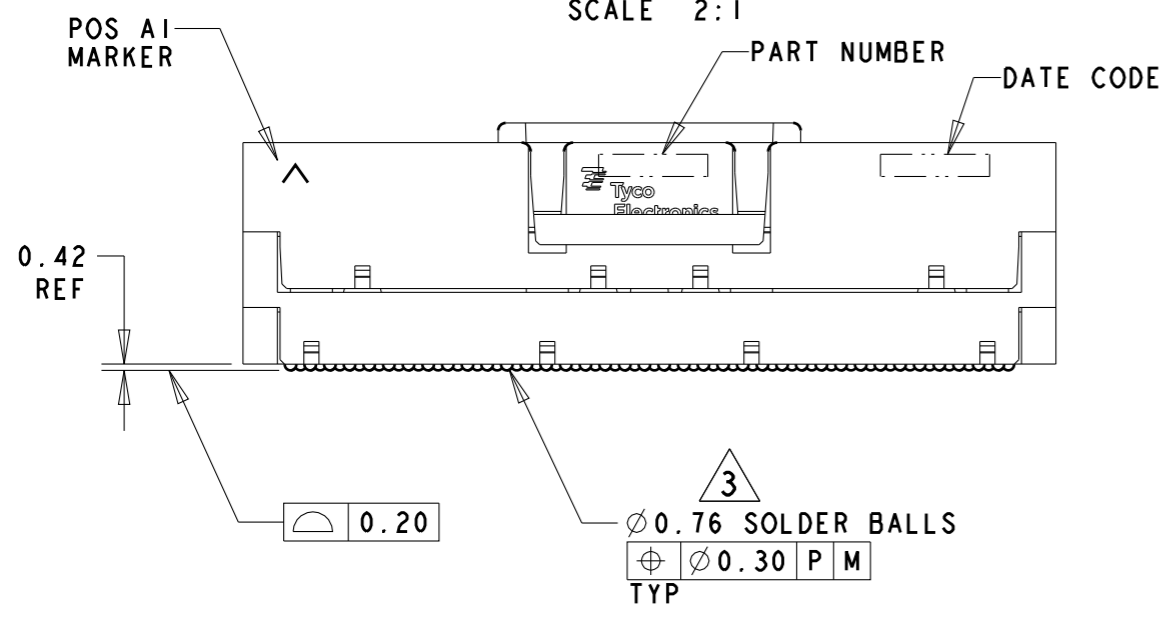
THIS DRAWING IS UNPUBLISHED. RELEASED FOR PUBLICATION 20
 © COPYRIGHT 20 BY TYCO ELECTRONICS CORPORATION, ALL RIGHTS RESERVED.

LOC	DIST	REVISIONS			
P	LTR	DESCRIPTION	DATE	DWN	APVD
DY	-	A5	REVISED PER ECR-10-013879	01JUL2010	SYJ LSF



ISOMETRIC VIEW
 TYPICAL CONFIGURATION FOR
 15mm & 20mm ASSEMBLY
 SCALE 3:2

TYPICAL ASSEMBLY
 15mm SHOWN
 SCALE 2:1



ISOMETRIC VIEW
 TYPICAL CONFIGURATION FOR
 10mm, 12mm & 13mm ASSEMBLY
 SCALE 3:2

<small>THIS DRAWING IS A CONTROLLED DOCUMENT FOR TYCO ELECTRONICS CORPORATION IT IS SUBJECT TO CHANGE AND THE CONTROLLING ENGINEERING ORGANIZATION SHOULD BE CONTACTED FOR THE LATEST REVISION.</small>		DWN P BRANDBERG 10JAN05 CHK D WERTZ 12JAN05 APVD D WERTZ 12JAN05		Tyco Electronics Singapore	
DIMENSIONS: mm		TOLERANCES UNLESS OTHERWISE SPECIFIED:		NAME STEP-Z PLUG ASSEMBLY, 296 SIGNAL POSITION	
		0 PLC ±- 1 PLC ±0.3 2 PLC ±0.10 3 PLC ±0.050 4 PLC ±- ANGLES ±2°		PRODUCT SPEC 108-2143	
MATERIAL 		FINISH 		APPLICATION SPEC 114-13101	
		WEIGHT -		SIZE A3 CAGE CODE 00779 DRAWING NO C-1761616	
CUSTOMER DRAWING				RESTRICTED TO -	
				SCALE - SHEET 1 OF 4 REV A5	

THIS DRAWING IS UNPUBLISHED.

RELEASED FOR PUBLICATION

20


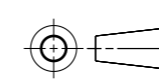
© COPYRIGHT 20

BY TYCO ELECTRONICS CORPORATION, ALL RIGHTS RESERVED.

LOC	DIST	REVISIONS				
P	LTR	DESCRIPTION	DATE	DWN	APVD	
	-	SEE SHEET 1	-	-	-	

- 1 MATERIAL:
BASE, SPACER, COVER: THERMOPLASTIC
PICK UP CAP: THERMOPLASTIC
CONTACT: COPPER ALLOY
SOLDER BALL: Sn/Pb FOR P/N 1761616-1 THRU 5-1761616-0
Sn/Ag FOR P/N 5-1761616-1 THRU 9-1761616-9
- 2 FINISH:
CONTACT: 0.00076 MIN GOLD OVER 0.00127 MIN NICKEL.
(30µ" MIN GOLD OVER 50µ" MIN NICKEL)
- 3 SOLDER BALLS WILL NOT BE PERFECT
SPHERICAL SHAPE DUE TO REFLOW ATTACHMENT.
- 4 CONTACTS IN ROWS A,C,E,G,J,K,M,P,R, AND T
ARE SINGLE BEAM CONTACTS,
TYPICALLY USED AS GROUND PINS.
(NOTE: CONTACTS IN ROW J & K ARE TIED
TOGETHER [COMMONED]).
- 5 CONTACTS IN ROWS B,D,F,H,L,N,O, AND S
ARE DUAL BEAM CONTACTS,
TYPICALLY USED AS SIGNAL PINS.
- 6 SPECIFIED POSITIONAL TOLERANCE DEFINES PAD TO PAD
LOCATION WITHIN LAND PATTERN. POSITIONAL TOLERANCE
OF LAND PATTERN TO FUDICIAL MARKS OR PCB DATUMS
SHALL BE DEFINED BY CUSTOMER. FOR RECOMMENDED
PRODUCT APPLICATION AND PCB DESIGN DETAILS, SEE
APPLICATION SPEC 114-13101.

24.65	25.95	-	25mm Sn/Ag	7-1761616-5
19.65	20.95	-	20mm Sn/Ag	7-1761616-0
14.65	15.95	-	15mm Sn/Ag	6-1761616-5
12.65	13.95	-	13mm Sn/Ag	6-1761616-3
11.65	12.95	-	12mm Sn/Ag	6-1761616-2
9.65	10.95	-	10mm Sn/Ag	6-1761616-0
24.65	25.95	-	25mm Sn/Pb	2-1761616-5
19.65	20.95	-	20mm Sn/Pb	2-1761616-0
14.65	15.95	-	15mm Sn/Pb	1-1761616-5
12.65	13.95	-	13mm Sn/Pb	1-1761616-3
11.65	12.95	-	12mm Sn/Pb	1-1761616-2
9.65	10.95	-	10mm Sn/Pb	1-1761616-0
DIM H	DIM G	LOAD STYLE	DESCRIPTION	PART NUMBER

<small>THIS DRAWING IS A CONTROLLED DOCUMENT FOR TYCO ELECTRONICS CORPORATION IT IS SUBJECT TO CHANGE AND THE CONTROLLING ENGINEERING ORGANIZATION SHOULD BE CONTACTED FOR THE LATEST REVISION.</small>		DWN P BRANDBERG 10 JAN05 CHK D WERTZ 12 JAN05 APVD D WERTZ 12 JAN05	 Tyco Electronics Singapore
DIMENSIONS: mm 	TOLERANCES UNLESS OTHERWISE SPECIFIED: 0 PLC ±. 1 PLC ±0.3 2 PLC ±0.10 3 PLC ±0.050 4 PLC ±. ANGLES ±2° FINISH -	NAME STEP-Z PLUG ASSEMBLY, 296 SIGNAL POSITION PRODUCT SPEC - APPLICATION SPEC - WEIGHT -	SIZE A3 CAGE CODE 00779 DRAWING NO C-1761616 RESTRICTED TO -
MATERIAL -		CUSTOMER DRAWING	SCALE - SHEET 2 OF 4 REV A5

THIS DRAWING IS UNPUBLISHED.

RELEASED FOR PUBLICATION

20

© COPYRIGHT 20

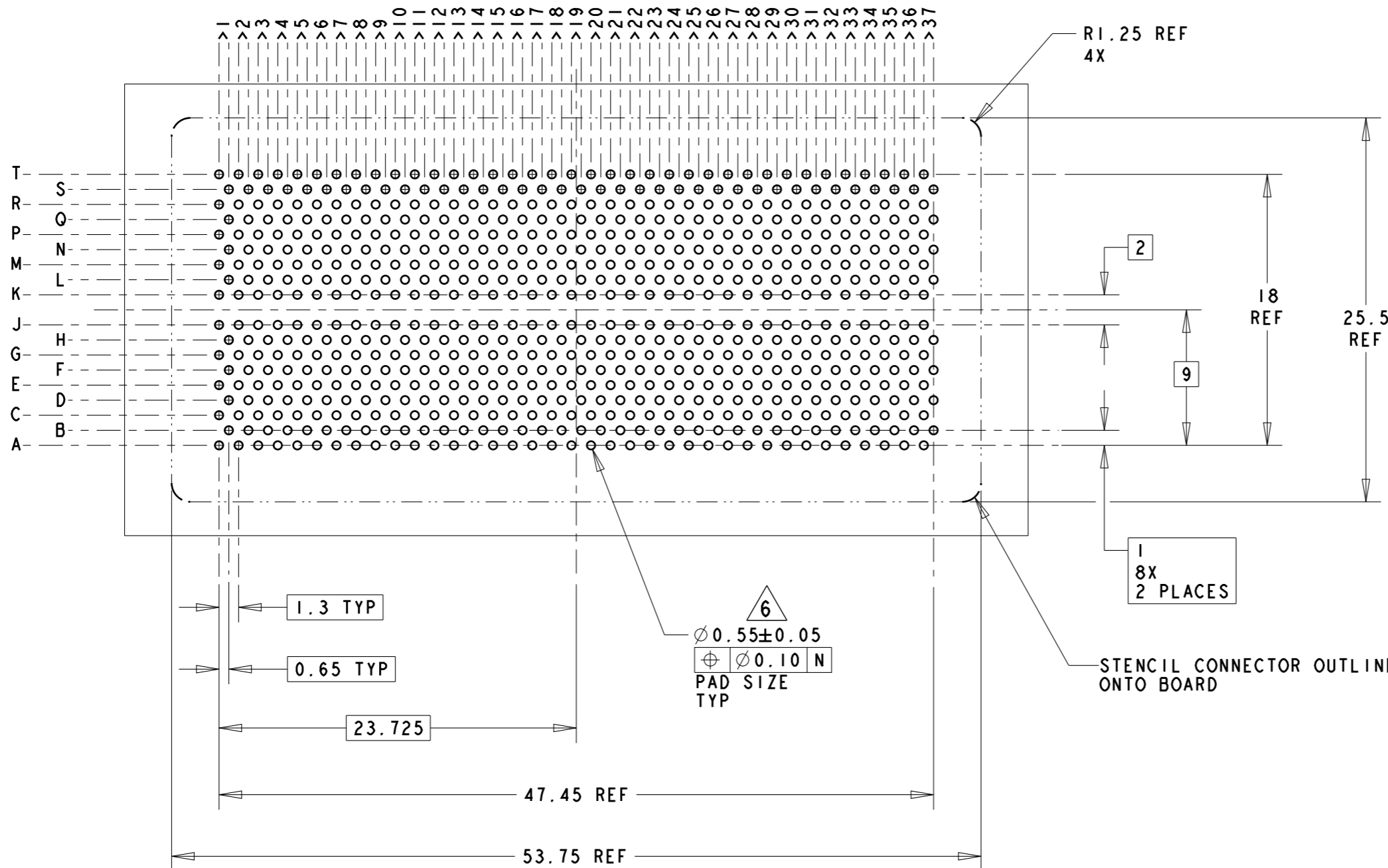
BY TYCO ELECTRONICS CORPORATION, ALL RIGHTS RESERVED.

LOC
DY

DIST
-

REVISIONS

P	LTR	DESCRIPTION	DATE	DWN	APVD
-	-	SEE SHEET 1	-	-	-



4 5 BOARD PATTERN SCALE 3:1

THIS DRAWING IS A CONTROLLED DOCUMENT FOR TYCO ELECTRONICS CORPORATION IT IS SUBJECT TO CHANGE AND THE CONTROLLING ENGINEERING ORGANIZATION SHOULD BE CONTACTED FOR THE LATEST REVISION.

DIMENSIONS: mm	TOLERANCES UNLESS OTHERWISE SPECIFIED:
	0 PLC ±-
	1 PLC ±0.3
	2 PLC ±0.10
	3 PLC ±0.050
	4 PLC ±-
	ANGLES ±2°
MATERIAL -	FINISH -

DWN	P BRANDBERG	10 JAN 05
CHK	D WERTZ	12 JAN 05
APVD	D WERTZ	12 JAN 05
PRODUCT SPEC	-	-
APPLICATION SPEC	-	-
WEIGHT	-	-
CUSTOMER DRAWING		

		Tyco Electronics Singapore	
NAME STEP-Z PLUG ASSEMBLY, 296 SIGNAL POSITION			
SIZE	CAGE CODE	DRAWING NO	RESTRICTED TO
A3	00779	C-1761616	-
SCALE -		SHEET 3 OF 4	REV A5

THIS DRAWING IS UNPUBLISHED.

RELEASED FOR PUBLICATION

20

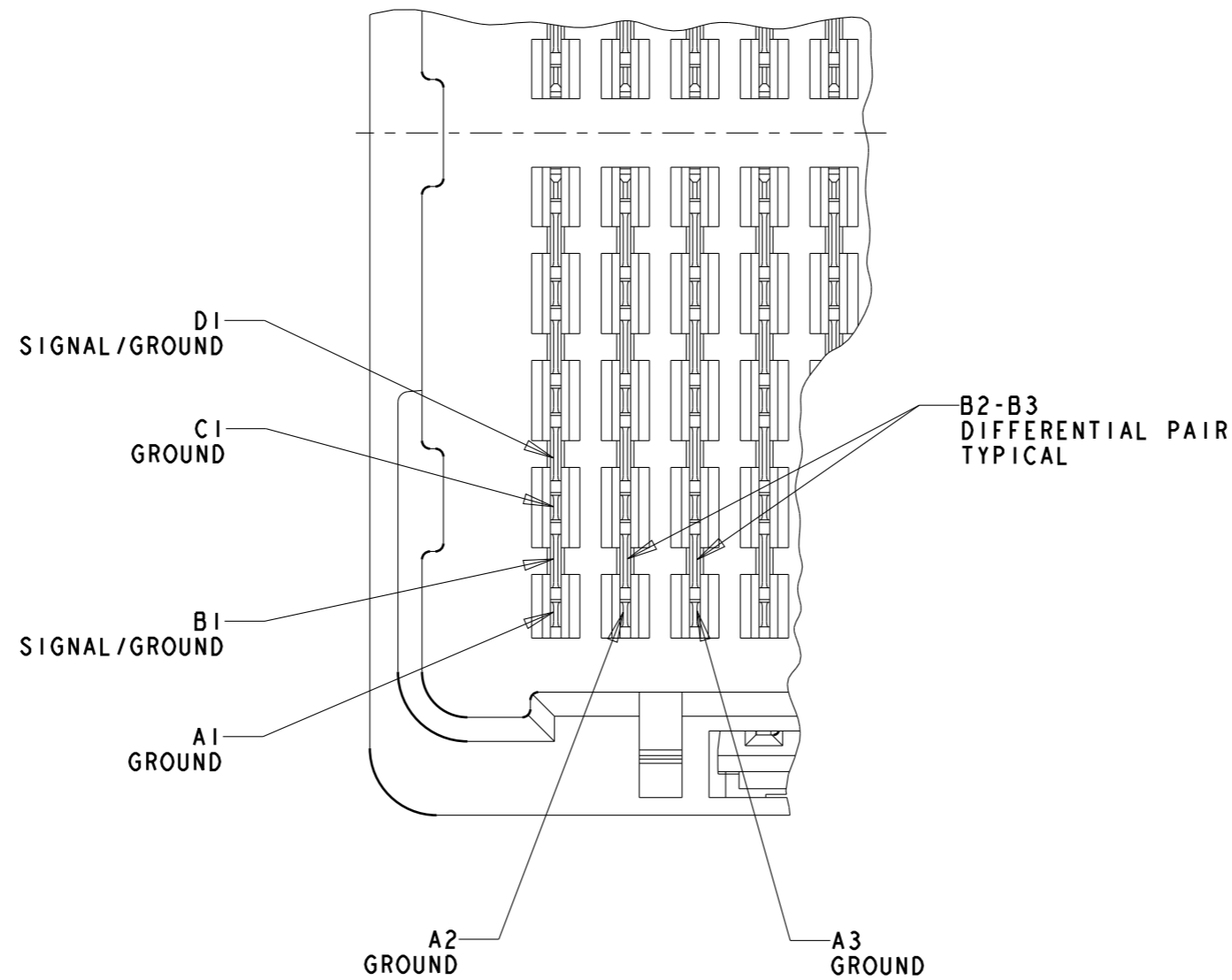
LOC
DY

DIST
-

REVISIONS

© COPYRIGHT 20 BY TYCO ELECTRONICS CORPORATION, ALL RIGHTS RESERVED.

P	LTR	DESCRIPTION	DATE	DWN	APVD
-	-	SEE SHEET 1	-	-	-



PLUG INTERFACE
SCALE 8:1

THIS DRAWING IS A CONTROLLED DOCUMENT FOR TYCO ELECTRONICS CORPORATION
IT IS SUBJECT TO CHANGE AND THE CONTROLLING ENGINEERING ORGANIZATION
SHOULD BE CONTACTED FOR THE LATEST REVISION.

DIMENSIONS:	TOLERANCES UNLESS OTHERWISE SPECIFIED:
mm	
	0 PLC ±0.3
	1 PLC ±0.10
	2 PLC ±0.050
	3 PLC ±0.050
	4 PLC ±°
	ANGLES ±2°
MATERIAL	FINISH
-	-

DWN	P BRANDBERG	10 JAN 05
CHK	D WERTZ	12 JAN 05
APVD	D WERTZ	12 JAN 05
PRODUCT SPEC	-	-
APPLICATION SPEC	-	-
WEIGHT	-	-

		Tyco Electronics Singapore	
NAME STEP-Z PLUG ASSEMBLY, 296 SIGNAL POSITION			
SIZE	CAGE CODE	DRAWING NO	RESTRICTED TO
A3	00779	C-1761616	-

CUSTOMER DRAWING	SCALE -	SHEET 4 OF 4	REV A5
------------------	---------	--------------	--------