



Chipsmall Limited consists of a professional team with an average of over 10 year of expertise in the distribution of electronic components. Based in Hongkong, we have already established firm and mutual-benefit business relationships with customers from,Europe,America and south Asia,supplying obsolete and hard-to-find components to meet their specific needs.

With the principle of “Quality Parts,Customers Priority,Honest Operation,and Considerate Service”,our business mainly focus on the distribution of electronic components. Line cards we deal with include Microchip,ALPS,ROHM,Xilinx,Pulse,ON,Everlight and Freescale. Main products comprise IC,Modules,Potentiometer,IC Socket,Relay,Connector.Our parts cover such applications as commercial,industrial, and automotives areas.

We are looking forward to setting up business relationship with you and hope to provide you with the best service and solution. Let us make a better world for our industry!



Contact us

Tel: +86-755-8981 8866 Fax: +86-755-8427 6832

Email & Skype: info@chipsmall.com Web: www.chipsmall.com

Address: A1208, Overseas Decoration Building, #122 Zhenhua RD., Futian, Shenzhen, China



4

3

2

1


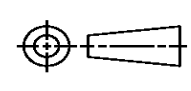
THIS DRAWING IS UNPUBLISHED. RELEASED FOR PUBLICATION
 © COPYRIGHT ALL RIGHTS RESERVED.

LOC	DIST	REVISIONS			
P	LTR	DESCRIPTION	DATE	DWN	APVD
	A1	ECR-13-019325	24DEC2013	RS	LZ

REPLACED BY OCEAN STYLE APPLICATOR PART NUMBER 2151356-6

FOR REPLACEMENT PARTS FOR APPLICATOR 1911047 REFER TO ADDITIONAL PAGE(S). SPARE PARTS KIT (IF LISTED) WILL REMAIN AVAILABLE.

THE REPLACEMENT OCEAN STYLE APPLICATOR HAS THE SAME TERMINATOR/PRESS INTERFACE AS APPLICATOR 1911047

THIS DRAWING IS A CONTROLLED DOCUMENT.		DWN R.SHEN	 TE Connectivity		
DIMENSIONS:		CHK LJ.ZHANG			
		APVD U.GUO	NAME SIDE FEED SYSTEM III APPLICATOR		
TOLERANCES UNLESS OTHERWISE SPECIFIED:		PRODUCT SPEC	DRAWING NO		
0 PLC ±		APPLICATION SPEC	SIZE A3	CAGE CODE	RESTRICTED TO
1 PLC ±			DRAWING NO ©- 1911047		
2 PLC ±			CUSTOMER ACCESSIBLE PRODUCTION DRAWING		
3 PLC ±			SCALE	SHEET 1 OF 2	REV A1
4 PLC ±					
ANGLES ±		WEIGHT			
FINISH					

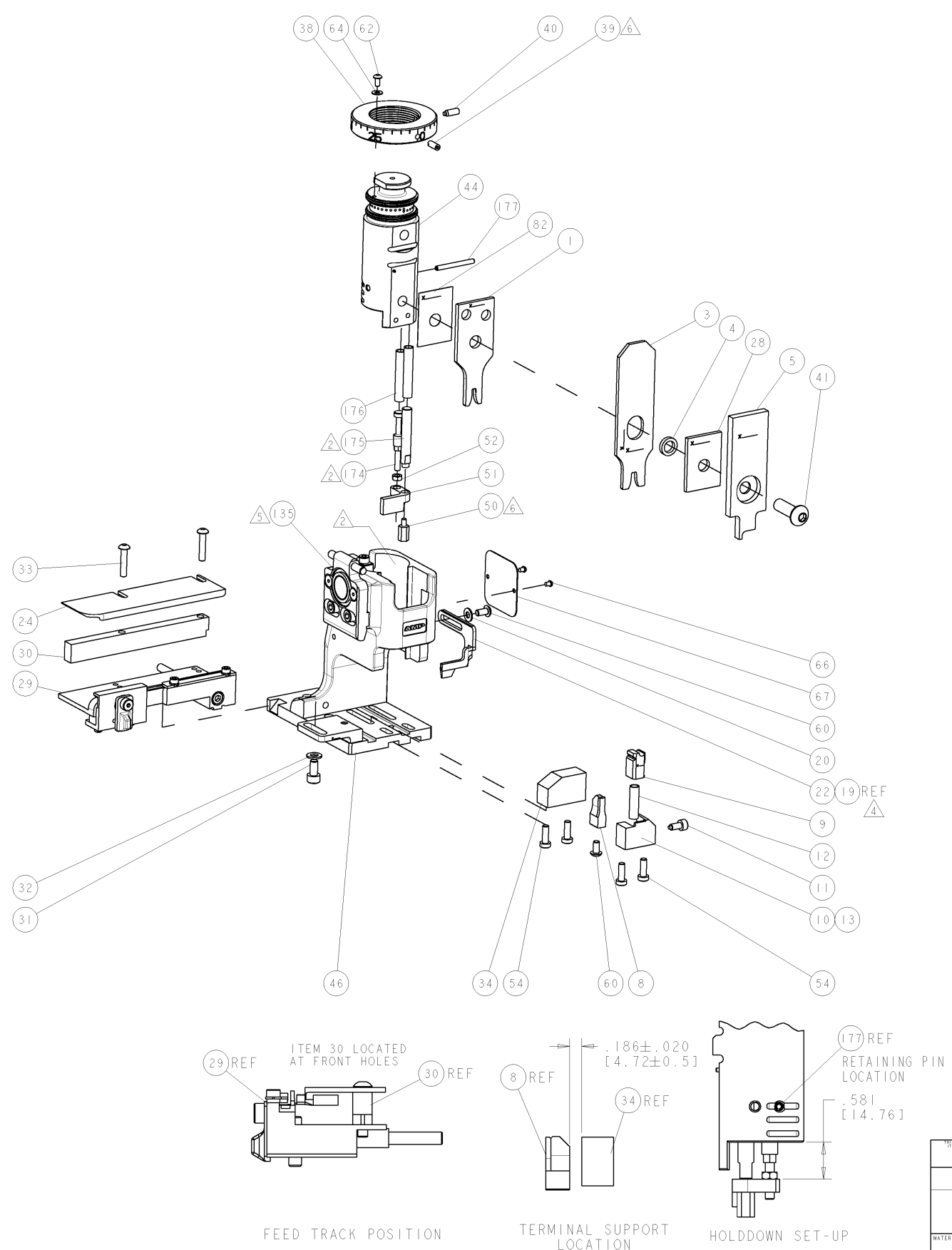
PART NUMBER	REV	DESCRIPTION	PROGRAMMED MEMORY CHIP
1911047-1	A	CUTS CARRIER	8-1911047-1
1911047-6	A	CONTINUOUS CARRIER	8-1911047-6
7-1911047-1	A	-1 AND SPARE PARTS	9-1911047-1
7-1911047-6	A	-6 AND SPARE PARTS	9-1911047-6
7-1911047-7	A	SPARE PARTS KIT	-

APPLICATOR DATA		
CRIMP	SIZE	TYPE
WIRE	.110 [2.79mm]	F
INSUL	.160 [4.06mm]	F

TERMINAL DATA: TE TERMINAL	TYCO ELECTRONICS CRIMP SPEC		
TERMINAL NAME: JUNIOR POWER TIMER CONTACT			
WIRE STRIP LENGTH	INSULATION DIAMETER RANGE		
.157-.181 [4.0-4.6 mm]	.106-.161 [2.70mm-4.10mm]		
TERMINAL APPL SPEC	114-18050		
TERMINALS APPLIED			
927773-3	927773-1	927773-6	1-927773-1
2-927773-1	-	-	-

WIRE SIZE	CRIMP HEIGHT
2.5mm ²	.070±.002 [1.77±.05]
2mm ²	.065±.002 [1.64±.05]
1.5mm ²	.059±.002 [1.51±.05]
14AWG	.064±.002 [1.62±.05]
16AWG	.057±.002 [1.45±.05]

- △ RECOMMENDED SPARE PARTS.
- △ GREASE BEARING SURFACES LIGHTLY.
- 3. LUBRICATE DAILY PER THE APPLICATOR INSTRUCTION SHEET SUPPLIED WITH THE APPLICATOR.
- △ ITEM 19 - OPTIONAL STRIPPER FOR BENCH MACHINE APPLICATIONS.
- △ APPLICATOR SPECIFIC DATA TO BE ENTERED INTO BLANK MEMORY CHIP AT ASSEMBLY.
- △ APPLY P/N 1-23419-5 LOCTITE(R) TO THREADS.



FEED FINGER	SET UP GAGE	LOC	DIST	REVISIONS					
1901694-1	1901040-1	A	66	P	LYR	DESCRIPTION	DATE	DWN	APPD
				A		RELEASED	13JUN2007	MEH	GB

-	1	1	1	1	1-993111-6	PIN, SLOTTED SPRING 3.0 X 30.0	177
-	2	2	2	2	3-22280-7	SPRING, COMPRESSION	176
-	1	1	1	1	1752353-1	GUIDE PIN, HOLDDOWN	175
-	1	1	1	1	1901680-1	GUIDE PIN, HOLDDOWN	174
-	REF	REF	REF	REF	SEE TABLE	MEMORY CHIP, PROGRAMMED	135
-	1	1	1	1	455888-1	SPACER, CRIMPER	82
-	1	1	1	1	1633565-1	DOCUMENTATION PACKAGE	71
-	1	1	1	1	1901048-1	TAG, IDENTIFICATION	67
-	2	2	2	2	21017-1	SCREW, DRIVE	66
-	1	1	1	1	18028-1	WASHER, FLAT, REG M3	64
-	1	1	1	1	1655785-9	SCR, BTN SKT HD CAP (M3 X 6)	62
-	2	2	2	2	1655785-1	SCR, BTN SKT HD CAP (M4 X 8)	60
-	4	4	4	4	1655783-3	SCR, CAP, SOC HD, LOW HEAD, M4 X 12	54
-	1	1	1	1	1-18030-0	NUT, HEX, REG M3.5	52
-	1	1	1	1	1901681-1	HOLDDOWN, TERMINAL	51
-	1	1	1	1	2-1752354-4	STANDOFF, HOLD-DOWN	50
-	1	1	1	1	1752300-1	SF SYSTEM III APPLICATOR	46
-	1	1	1	1	1752308-1	RAM	44
-	1	1	1	1	2-1655785-3	SCR, BTN SKT HD CAP (M8 X 25)	41
-	1	1	1	1	993002-4	SCREW, SET, SFT TIP	40
-	1	1	1	1	1962043-1	PLUNGER, BALL, METRIC	39
-	1	1	1	1	1752309-3	RING, INSULATION CRIMP	38
-	1	1	1	1	1752356-5	SUPPORT, TERMINAL	34
-	2	2	2	2	3-1655785-3	SCR, BTN SKT HD CAP (M4 X 20)	33
-	1	1	1	1	18028-3	WASHER, FLAT, REG M5	32
-	1	1	1	1	5-1655316-3	SCR, SKT HD CAP, M5 X 10.0	31
-	1	1	1	1	1320908-8	SPACER, STRIP GUIDE	30
-	1	1	1	1	1901087-1	ASSEMBLY, STRIP GUIDE	29
-	1	1	1	1	2-455888-5	SPACER, CRIMPER	28
-	1	1	1	1	1320928-1	PLATE, STRIP GUIDE	24
-	1	1	1	1	1976045-1	STRIPPER	22
-	1	1	1	1	18028-2	WASHER, FLAT, REG M4	20
-	REF	REF	REF	REF	1752311-1	STRIPPER	19
△	1	1	1	1	1338684-1	SHEAR HOLDER, FRONT	13
△	1	1	1	1	3-22280-3	SPRING, COMPRESSION	12
△	1	1	1	1	356885-4	STOP, SHEAR	11
△	1	1	1	1	1320921-1	SHEAR HOLDER, FRONT, CUT	10
△	1	1	1	1	462006-1	FLOATING SHEAR, FRONT	9
△	1	2	2	1	1-1333207-3	ANVIL, COMBINATION	8
△	1	1	1	1	2-455889-7	DEPRESSOR, SHEAR	5
△	1	1	1	1	238011-4	BLOCK, CRIMPER SPACER	4
△	1	2	2	1	683453-1	CRIMPER, INSULATION PREMIUM	3
△	-	-	-	-	-	CRIMPER, INSULATION PREMIUM	2
△	1	2	2	1	456408-2	CRIMPER, WIRE PREMIUM	1

DIMENSIONS: INCHES(mm)		TOLERANCES UNLESS OTHERWISE SPECIFIED:		DWN: D. WRIGHT 22MAY2007		CHK: N. DEMING 22MAY2007		APPD: N. DEMING 22MAY2007		NAME: Tyco Electronics	
0 PLC	±	0.0005	±	0.0005	±	0.0005	±	0.0005	±	0.0005	±
1 PLC	±	0.0010	±	0.0010	±	0.0010	±	0.0010	±	0.0010	±
2 PLC	±	0.0015	±	0.0015	±	0.0015	±	0.0015	±	0.0015	±
3 PLC	±	0.0020	±	0.0020	±	0.0020	±	0.0020	±	0.0020	±
4 PLC	±	0.0025	±	0.0025	±	0.0025	±	0.0025	±	0.0025	±
ANGLES	±	0.0050	±	0.0050	±	0.0050	±	0.0050	±	0.0050	±
MATERIAL:		FINISH:		APPLICATION SPEC:		SEE TABLE		SIZE: A		CASE CODE: 00779	
CUSTOMER DRAWING		SCALE: 3:5		SHEET: 1 OF 1		REV: A		DRAWING NO: 1911047		RESTRICTED TO:	