



Chipsmall Limited consists of a professional team with an average of over 10 year of expertise in the distribution of electronic components. Based in Hongkong, we have already established firm and mutual-benefit business relationships with customers from,Europe,America and south Asia,supplying obsolete and hard-to-find components to meet their specific needs.

With the principle of "Quality Parts,Customers Priority,Honest Operation,and Considerate Service",our business mainly focus on the distribution of electronic components. Line cards we deal with include Microchip,ALPS,ROHM,Xilinx,Pulse,ON,Everlight and Freescale. Main products comprise IC,Modules,Potentiometer,IC Socket,Relay,Connector.Our parts cover such applications as commercial,industrial, and automotives areas.

We are looking forward to setting up business relationship with you and hope to provide you with the best service and solution. Let us make a better world for our industry!



Contact us

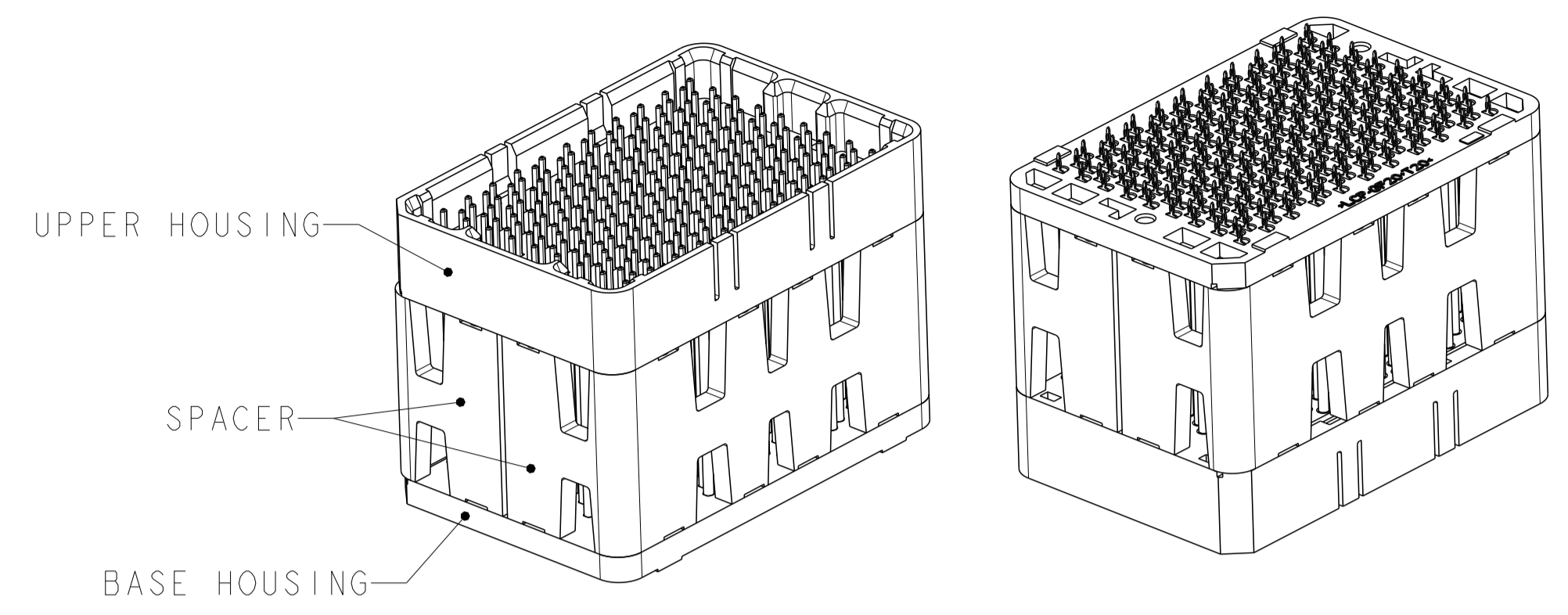
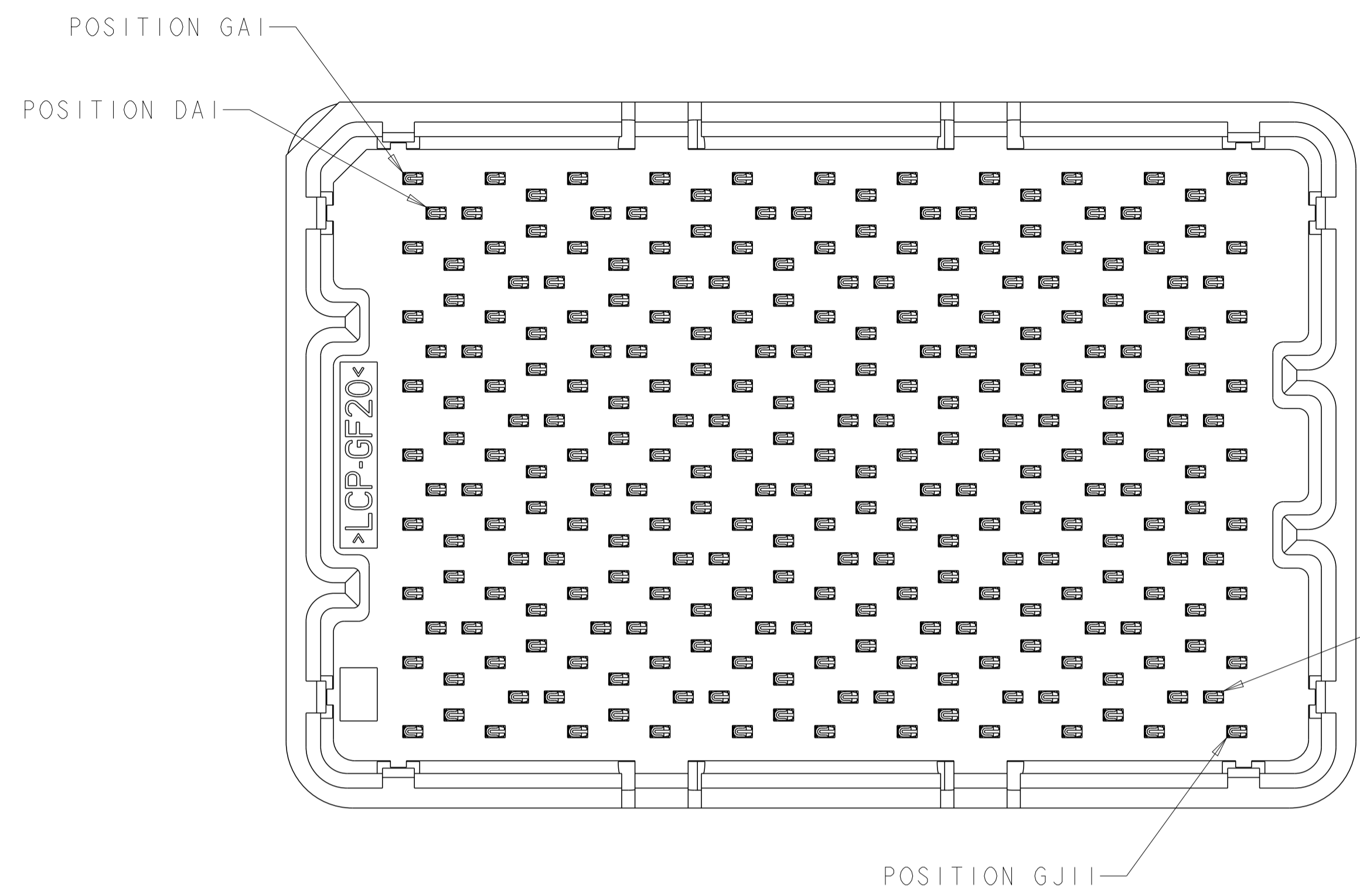
Tel: +86-755-8981 8866 Fax: +86-755-8427 6832

Email & Skype: info@chipsmall.com Web: www.chipsmall.com

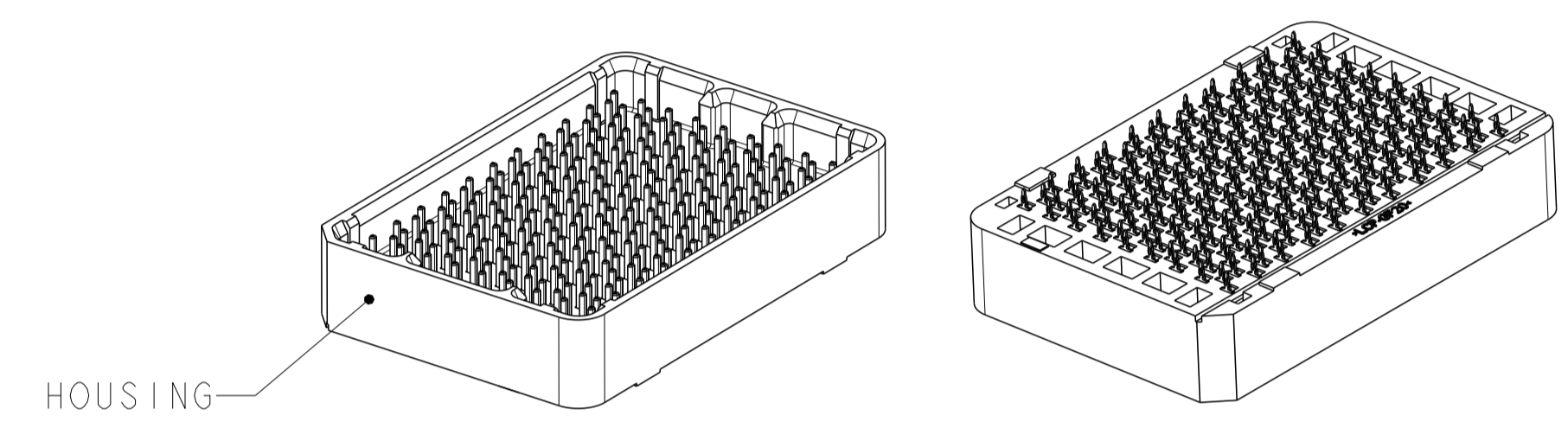
Address: A1208, Overseas Decoration Building, #122 Zhenhua RD., Futian, Shenzhen, China



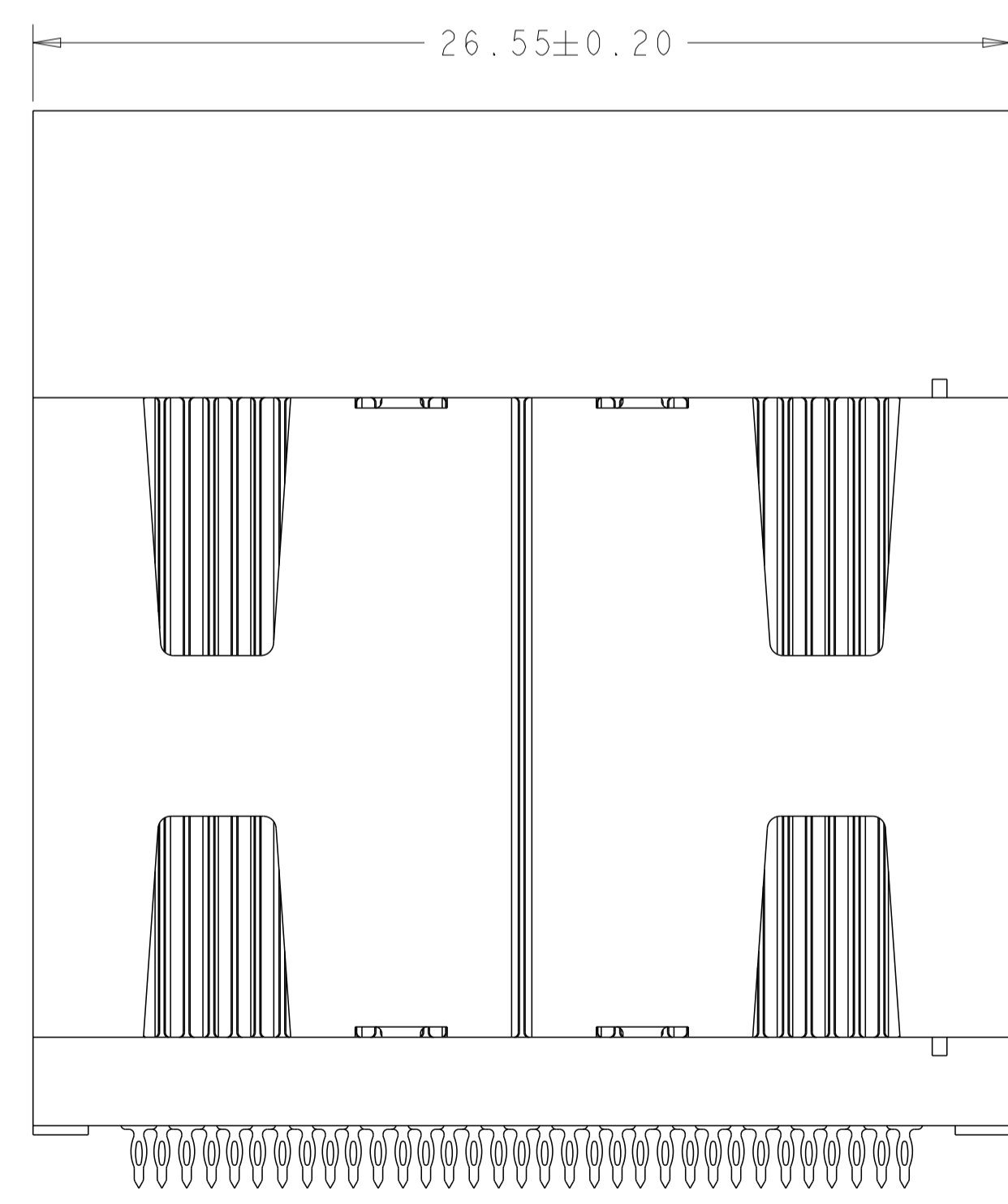
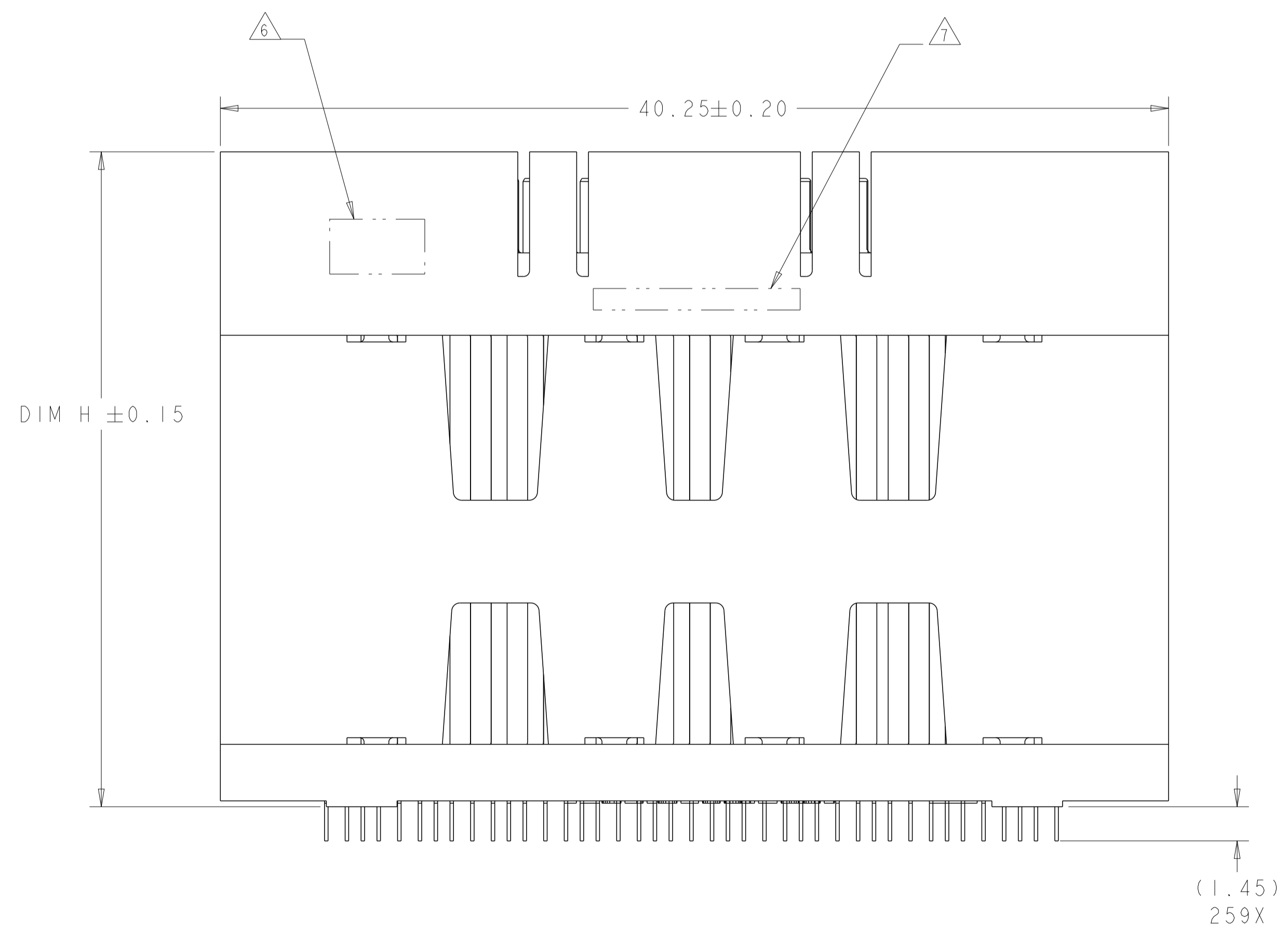
LOC	DIST	REVISIONS					
GP	00	P	LYR	DESCRIPTION	DATE	DWN	APVD
		A		REVISED PER ECO-12-018201	11OCT2012	KH	MH



ISOMETRIC VIEW
 TYPICAL CONFIGURATION FOR 14mm THRU 42mm
 28mm SHOWN
 SCALE 2:1



ISOMETRIC VIEW
 TYPICAL CONFIGURATION FOR 8mm THRU 13mm
 8mm SHOWN
 SCALE 2:1



- 1 MATERIAL:
 BASE HOUSING, UPPER HOUSING, ORGANIZER,
 AND SPACER: THERMOPLASTIC, FLAMMABILITY
 RATING UL94-V0
 CONTACT: COPPER ALLOY
- 2 CONTACT PLATING: 0.076µm MIN GOLD OVER 0.69µm
 MIN PALLADIUM NICKEL, OVER 2.54-5.08µm NICKEL
 ON MATING AREA. 0.50-2.54µm 93/7 TIN-LEAD,
 OVER 1.27-5.08µm NICKEL ON TAIL AREA.
 PORE BLOCKER APPLIED TO MATING AREA.
- 3 CONTACT PLATING: 0.076µm MIN GOLD OVER 0.69µm
 MIN PALLADIUM NICKEL, OVER 2.54-5.08µm NICKEL
 ON MATING AREA. 0.50-2.54µm MATTE TIN,
 OVER 1.27-5.08µm NICKEL ON TAIL AREA.
 PORE BLOCKER APPLIED TO MATING AREA.
- 4 ROWS GA THRU GJ (SHOWN DARKENED) ARE TYPICALLY
 USED AS GROUNDS.
- 5 SPECIFIED POSITIONAL TOLERANCE DEFINES HOLE TO
 HOLE LOCATION WITHIN HOLE PATTERN. POSITIONAL
 TOLERANCE OF HOLE PATTERN TO FIDUCIAL MARKS
 OR PCB DATUMS SHALL BE DEFINED BY CUSTOMER.
- 6 AREA RESERVED FOR TE CONNECTIVITY LOGO.
- 7 AREA RESERVED FOR PART NUMBER (X-XXXXXX-X)
 AND DATE CODE (YYWW).
- 8 USE CENTERLINES INDICATED ON PCB HOLE PATTERN
 TO ESTABLISH ALIGNMENT BETWEEN HEADER AND
 RECEPTACLE BOARDS.
- 9 PLATED THROUGH HOLE REQUIREMENTS:
 HOLE SIZE PRIOR TO PLATING = $\varnothing 0.420 \pm 0.013$
 COPPER PLATING THICKNESS = 0.038 ± 0.013
 CALCULATED FINISHED HOLE SIZE = $\varnothing 0.344 \pm 0.039$
 THESE DIMENSIONS APPLY TO THE TOP 1.25mm OF
 THE PCB THICKNESS FROM THE CONNECTOR MOUNTING
 SIDE.
- 10 CONTACT SALES FOR AVAILABILITY OF THIS STACK
 HEIGHT.

SIZE 2 HOUSING *
80 DIFFERENTIAL PAIRS
259 TOTAL SIGNAL CONTACTS

* SIZE 1 AND SIZE 3 ARE ALSO AVAILABLE

THIS DRAWING IS A CONTROLLED DOCUMENT.		DWN D. RINGLER 29AUG2008	TE Connectivity
DIMENSIONS:		CHK D. TROUT 29AUG2008	
mm	TOLERANCES UNLESS OTHERWISE SPECIFIED:	APVD J. FEDDER 29AUG2008	NAME
0 PLC ±	1 PLC ±	PRODUCT SPEC	HEADER ASSEMBLY
2 PLC ±0.13	3 PLC ±0.013	APPLICATION SPEC	80/259 SIGNAL
4 PLC ±	ANGLES ±	SIZE	STRADA MESA MEZZANINE CONNECTOR
MATERIAL	FINISH	WEIGHT	RESTRICTED TO
		Customer Drawing	A100779C=2057360
		SCALE 6:1	SHEET 1 OF 4 REV A

LOC	DIST	REVISIONS					
GP	00	P	LYN	DESCRIPTION	DATE	OWN	APVD
		-		SEE SHEET 1			

△3	△10	41.8	42mm	MATTE Sn	9-2057360-2
△3	△10	40.8	41mm	MATTE Sn	9-2057360-1
△3	YES	39.8	40mm	MATTE Sn	9-2057360-0
△3	△10	38.8	39mm	MATTE Sn	8-2057360-9
△3	△10	37.8	38mm	MATTE Sn	8-2057360-8
△3	△10	36.8	37mm	MATTE Sn	8-2057360-7
△3	△10	35.8	36mm	MATTE Sn	8-2057360-6
△3	△10	34.8	35mm	MATTE Sn	8-2057360-5
△3	△10	33.8	34mm	MATTE Sn	8-2057360-4
△3	△10	32.8	33mm	MATTE Sn	8-2057360-3
△3	△10	31.8	32mm	MATTE Sn	8-2057360-2
△3	△10	30.8	31mm	MATTE Sn	8-2057360-1
△3	△10	29.8	30mm	MATTE Sn	8-2057360-0
△3	△10	28.8	29mm	MATTE Sn	7-2057360-9
△3	YES	27.8	28mm	MATTE Sn	7-2057360-8
△3	△10	26.8	27mm	MATTE Sn	7-2057360-7
△3	△10	25.8	26mm	MATTE Sn	7-2057360-6
△3	△10	24.8	25mm	MATTE Sn	7-2057360-5
△3	△10	23.8	24mm	MATTE Sn	7-2057360-4
△3	YES	22.8	23mm	MATTE Sn	7-2057360-3
△3	△10	21.8	22mm	MATTE Sn	7-2057360-2
△3	△10	20.8	21mm	MATTE Sn	7-2057360-1
△3	△10	19.8	20mm	MATTE Sn	7-2057360-0
△3	△10	18.8	19mm	MATTE Sn	6-2057360-9
△3	△10	17.8	18mm	MATTE Sn	6-2057360-8
△3	△10	16.8	17mm	MATTE Sn	6-2057360-7
△3	△10	15.8	16mm	MATTE Sn	6-2057360-6
△3	△10	14.8	15mm	MATTE Sn	6-2057360-5
△3	△10	13.8	14mm	MATTE Sn	6-2057360-4
△3	△10	12.8	13mm	MATTE Sn	6-2057360-3
△3	△10	11.8	12mm	MATTE Sn	6-2057360-2
△3	△10	10.8	11mm	MATTE Sn	6-2057360-1
△3	△10	9.8	10mm	MATTE Sn	6-2057360-0
△3	YES	8.8	9mm	MATTE Sn	5-2057360-9
△3	△10	7.8	8mm	MATTE Sn	5-2057360-8
FINISH	TOOLED	DIM H	STACK HEIGHT	CONTACT TAIL PLATING	PART NUMBER

△2	△10	41.8	42mm	Sn/Pb	4-2057360-2
△2	△10	40.8	41mm	Sn/Pb	4-2057360-1
△2	YES	39.8	40mm	Sn/Pb	4-2057360-0
△2	△10	38.8	39mm	Sn/Pb	3-2057360-9
△2	△10	37.8	38mm	Sn/Pb	3-2057360-8
△2	△10	36.8	37mm	Sn/Pb	3-2057360-7
△2	△10	35.8	36mm	Sn/Pb	3-2057360-6
△2	△10	34.8	35mm	Sn/Pb	3-2057360-5
△2	△10	33.8	34mm	Sn/Pb	3-2057360-4
△2	△10	32.8	33mm	Sn/Pb	3-2057360-3
△2	△10	31.8	32mm	Sn/Pb	3-2057360-2
△2	△10	30.8	31mm	Sn/Pb	3-2057360-1
△2	△10	29.8	30mm	Sn/Pb	3-2057360-0
△2	△10	28.8	29mm	Sn/Pb	2-2057360-9
△2	YES	27.8	28mm	Sn/Pb	2-2057360-8
△2	△10	26.8	27mm	Sn/Pb	2-2057360-7
△2	△10	25.8	26mm	Sn/Pb	2-2057360-6
△2	△10	24.8	25mm	Sn/Pb	2-2057360-5
△2	△10	23.8	24mm	Sn/Pb	2-2057360-4
△2	YES	22.8	23mm	Sn/Pb	2-2057360-3
△2	△10	21.8	22mm	Sn/Pb	2-2057360-2
△2	△10	20.8	21mm	Sn/Pb	2-2057360-1
△2	△10	19.8	20mm	Sn/Pb	2-2057360-0
△2	△10	18.8	19mm	Sn/Pb	1-2057360-9
△2	△10	17.8	18mm	Sn/Pb	1-2057360-8
△2	△10	16.8	17mm	Sn/Pb	1-2057360-7
△2	△10	15.8	16mm	Sn/Pb	1-2057360-6
△2	△10	14.8	15mm	Sn/Pb	1-2057360-5
△2	△10	13.8	14mm	Sn/Pb	1-2057360-4
△2	△10	12.8	13mm	Sn/Pb	1-2057360-3
△2	△10	11.8	12mm	Sn/Pb	1-2057360-2
△2	△10	10.8	11mm	Sn/Pb	1-2057360-1
△2	△10	9.8	10mm	Sn/Pb	1-2057360-0
△2	YES	8.8	9mm	Sn/Pb	2057360-9
△2	△10	7.8	8mm	Sn/Pb	2057360-8
FINISH	TOOLED	DIM H	STACK HEIGHT	CONTACT TAIL PLATING	PART NUMBER

THIS DRAWING IS A CONTROLLED DOCUMENT.

DWG: D. RINGLER 29AUG2008
 CHK: D. TROUT 29AUG2008
 APVD: J. FEDDER 29AUG2008

STE TE Connectivity
 NAME: HEADER ASSEMBLY
 80/259 SIGNAL
 STRADA MESA MEZZANINE CONNECTOR

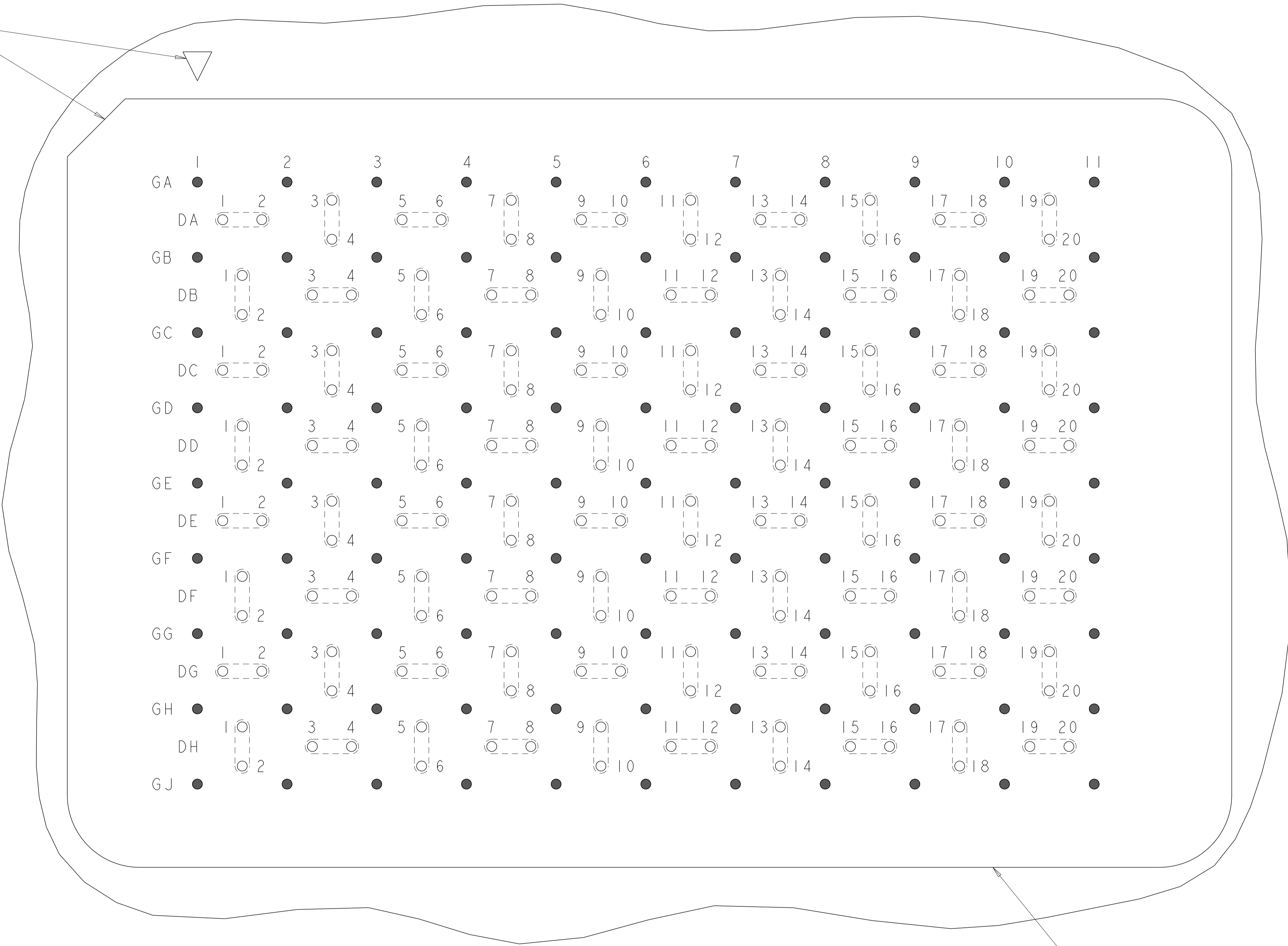
DIMENSIONS: mm
 TOLERANCES UNLESS OTHERWISE SPECIFIED:
 0 PLC ±.
 1 PLC ±0.13
 2 PLC ±0.13
 3 PLC ±0.13
 4 PLC ±.
 ANGLES ±1
 FINISH ±

MATERIAL: .
 WEIGHT: .
 SCALE: 6:1
 SHEET 2 OF 4
 REV A


SIZE: A1
 CAGE CODE: 114-13249
 DRAWING NO: 100779
 CUSTOMER DRAWING: ©=2057360

LOC	DIST	REVISIONS					
GP	00	P	LTN	DESCRIPTION	DATE	DWN	APVD
		-		SEE SHEET 1			

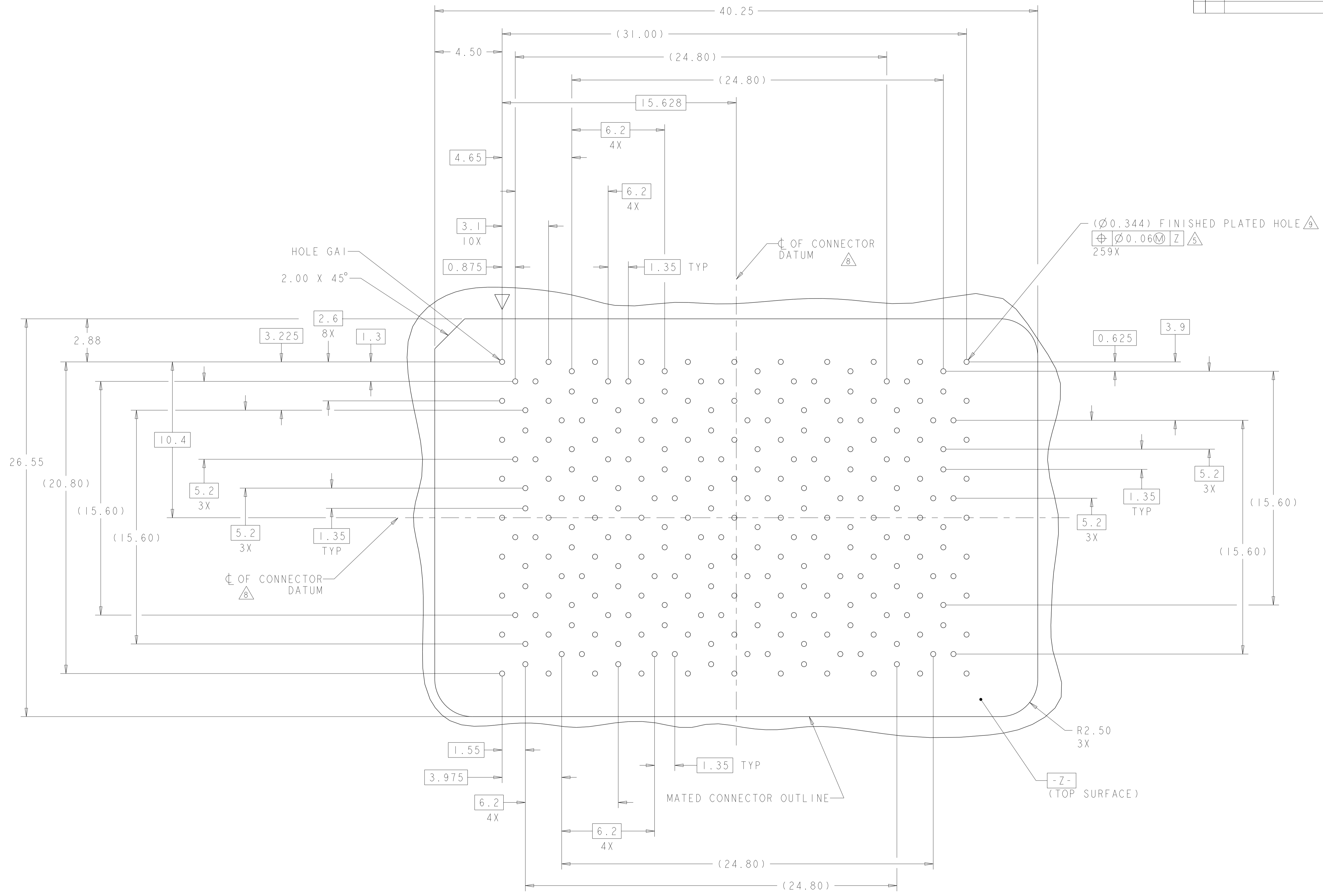
A1 CORNER INDICATORS.



PCB LAYOUT AND PIN IDENTIFICATION 
 SHOWN FROM CONNECTOR SIDE
 SCALE 12:1

THIS DRAWING IS A CONTROLLED DOCUMENT.		DWN D. RINGLER 29AUG2008	 TE Connectivity
DIMENSIONS: mm		CHK D. TROUT 29AUG2008	
TOLERANCES UNLESS OTHERWISE SPECIFIED:		APVD J. FEDDER 29AUG2008	NAME HEADER ASSEMBLY 80/259 SIGNAL STRADA MESA MEZZANINE CONNECTOR
0 PLC ± 2 PLC ±0.13 3 PLC ±0.013 4 PLC ± ANGLES ±1		PRODUCT SPEC 108-2375 APPLICATION SPEC 114-13249	SIZE A100779
MATERIAL		WEIGHT	RESTRICTED TO C=2057360
		Customer Drawing	SCALE 6:1 SHEET 3 OF 4 REV A

LOC		DIST		REVISIONS			
P	LYR	DATE	OWN	APVD	DESCRIPTION		
-	-	-	-	-	SEE SHEET 1		



PCB HOLE PATTERN
 SHOWN FROM CONNECTOR SIDE
 SCALE 8:1

THIS DRAWING IS A CONTROLLED DOCUMENT.		OWN D. RINGLER 29AUG2008	 TE Connectivity
DIMENSIONS:		CHK D. TROUT 29AUG2008	
mm 0 PLC ± 2 PLC ±0.13 3 PLC ±0.013 4 PLC ± ANGLES ±1		APVD J. FEDDER 29AUG2008	
TOLERANCES UNLESS OTHERWISE SPECIFIED:		NAME HEADER ASSEMBLY 80/259 SIGNAL STRADA MESA MEZZANINE CONNECTOR	RESTRICTED TO
MATERIAL		PRODUCT SPEC 108-2375	SIZE A100779
FINISH		APPLICATION SPEC 114-13249	DRAWING NO C=2057360
WEIGHT		WEIGHT	SCALE 6:1
Customer Drawing		Customer Drawing	SHEET 4 OF 4 REV A