



Chipsmall Limited consists of a professional team with an average of over 10 year of expertise in the distribution of electronic components. Based in Hongkong, we have already established firm and mutual-benefit business relationships with customers from,Europe,America and south Asia,supplying obsolete and hard-to-find components to meet their specific needs.

With the principle of “Quality Parts,Customers Priority,Honest Operation,and Considerate Service”,our business mainly focus on the distribution of electronic components. Line cards we deal with include Microchip,ALPS,ROHM,Xilinx,Pulse,ON,Everlight and Freescale. Main products comprise IC,Modules,Potentiometer,IC Socket,Relay,Connector.Our parts cover such applications as commercial,industrial, and automotives areas.

We are looking forward to setting up business relationship with you and hope to provide you with the best service and solution. Let us make a better world for our industry!



Contact us

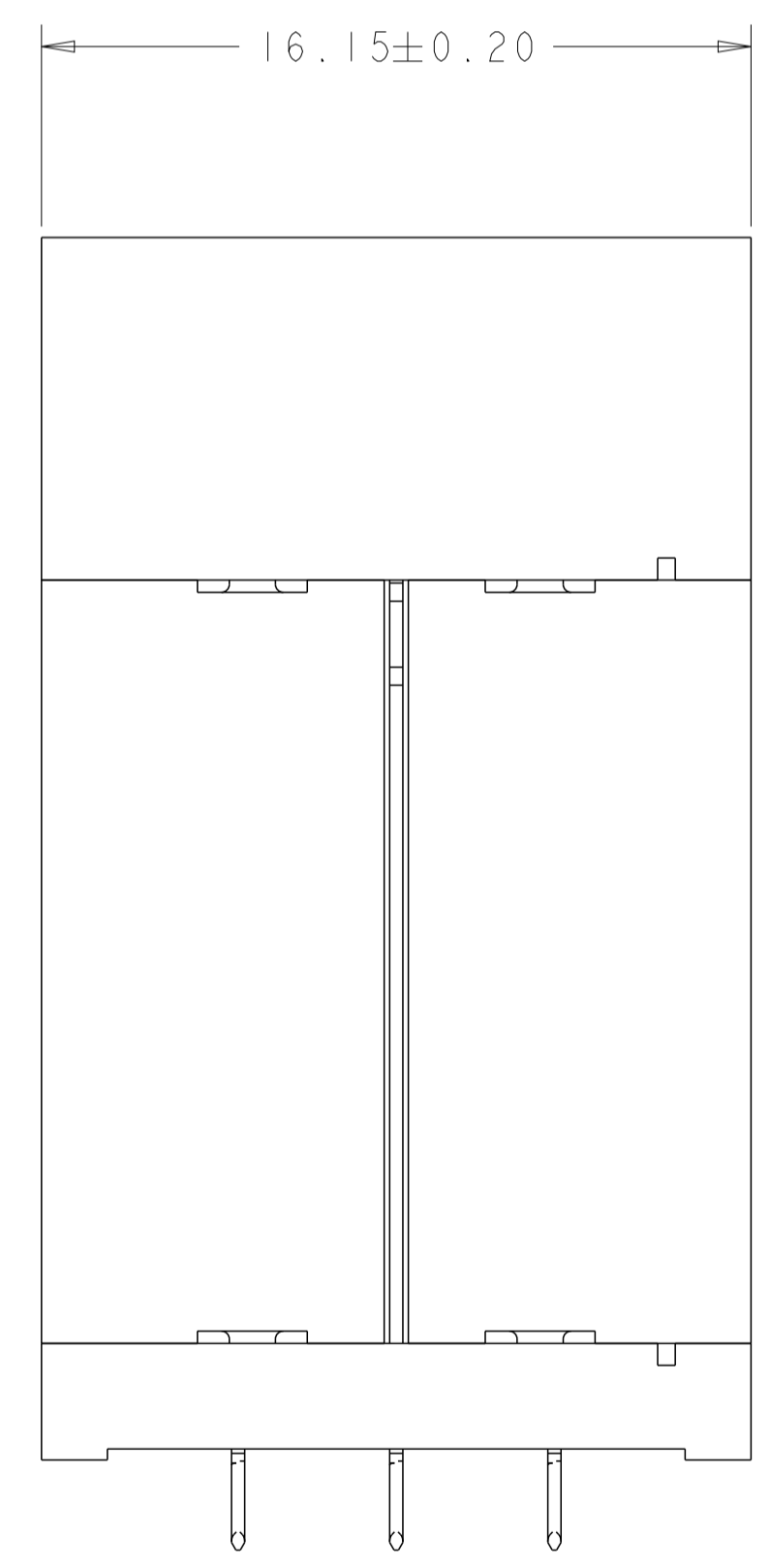
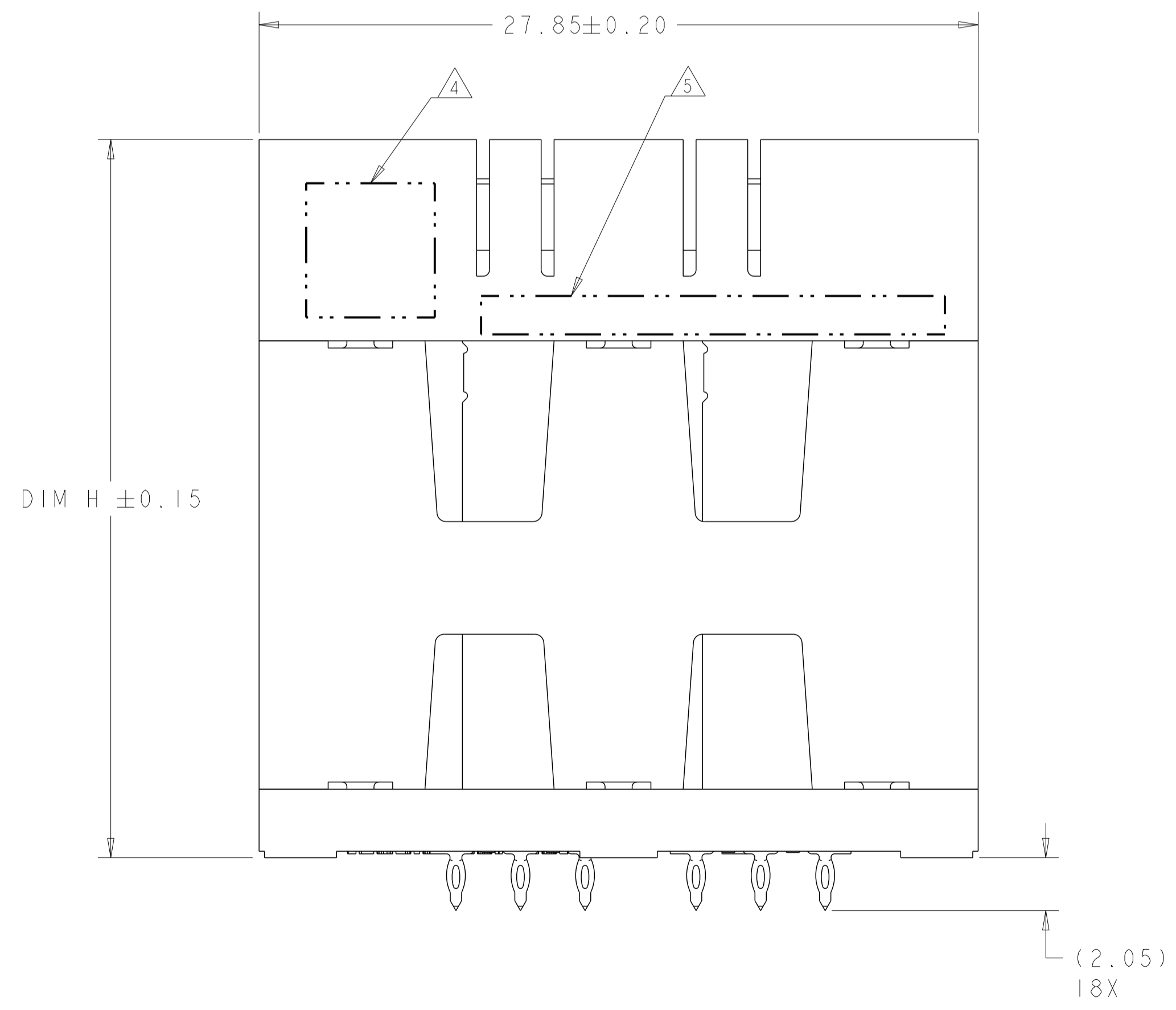
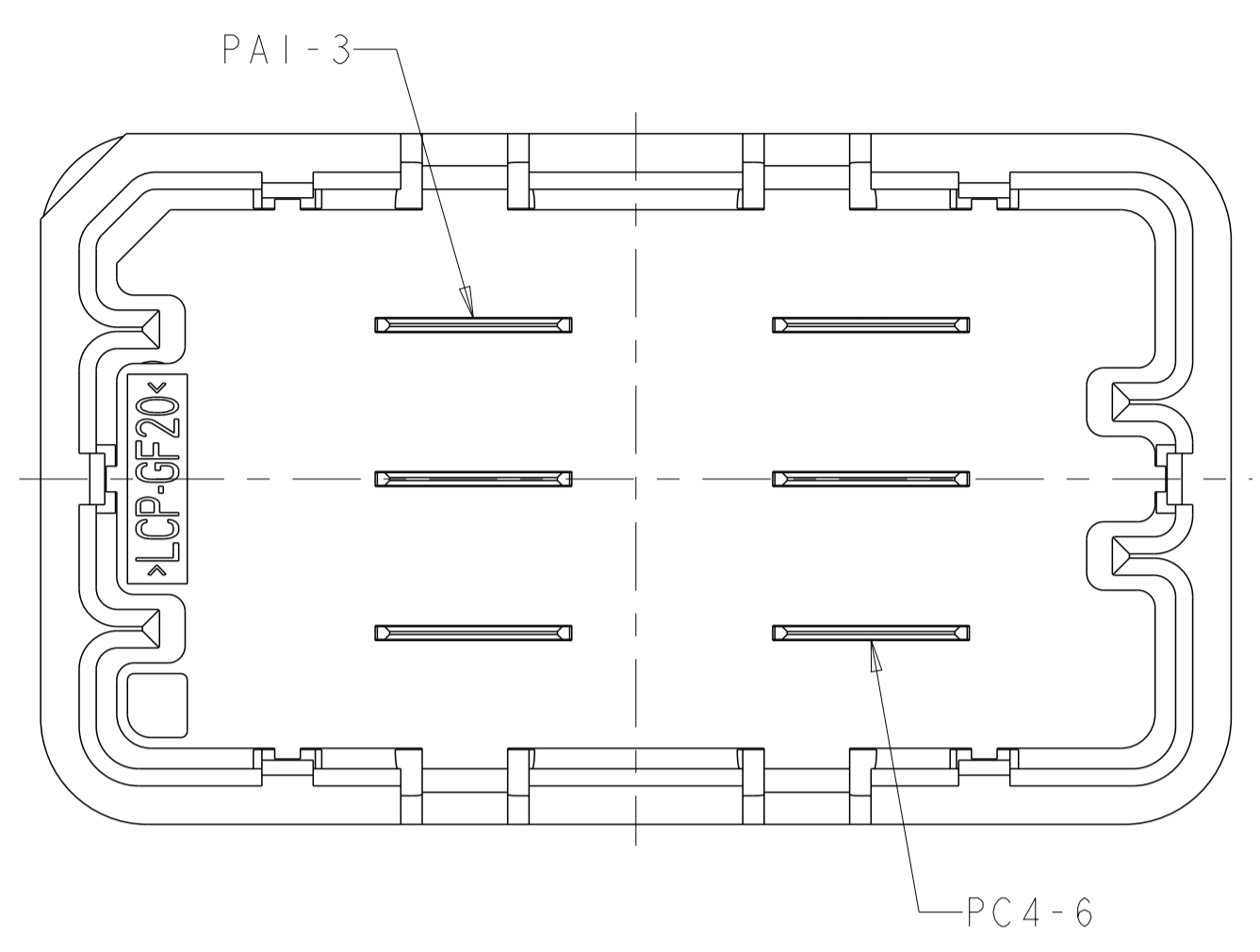
Tel: +86-755-8981 8866 Fax: +86-755-8427 6832

Email & Skype: info@chipsmall.com Web: www.chipsmall.com

Address: A1208, Overseas Decoration Building, #122 Zhenhua RD., Futian, Shenzhen, China



LOC	DIST	REVISIONS			
P	LTN	DESCRIPTION	DATE	DWN	APVD
GP	00	A	REVISED PER ECO-12-018933	31OCT12	KH MH
-	-	-	-	-	-
-	-	-	-	-	-



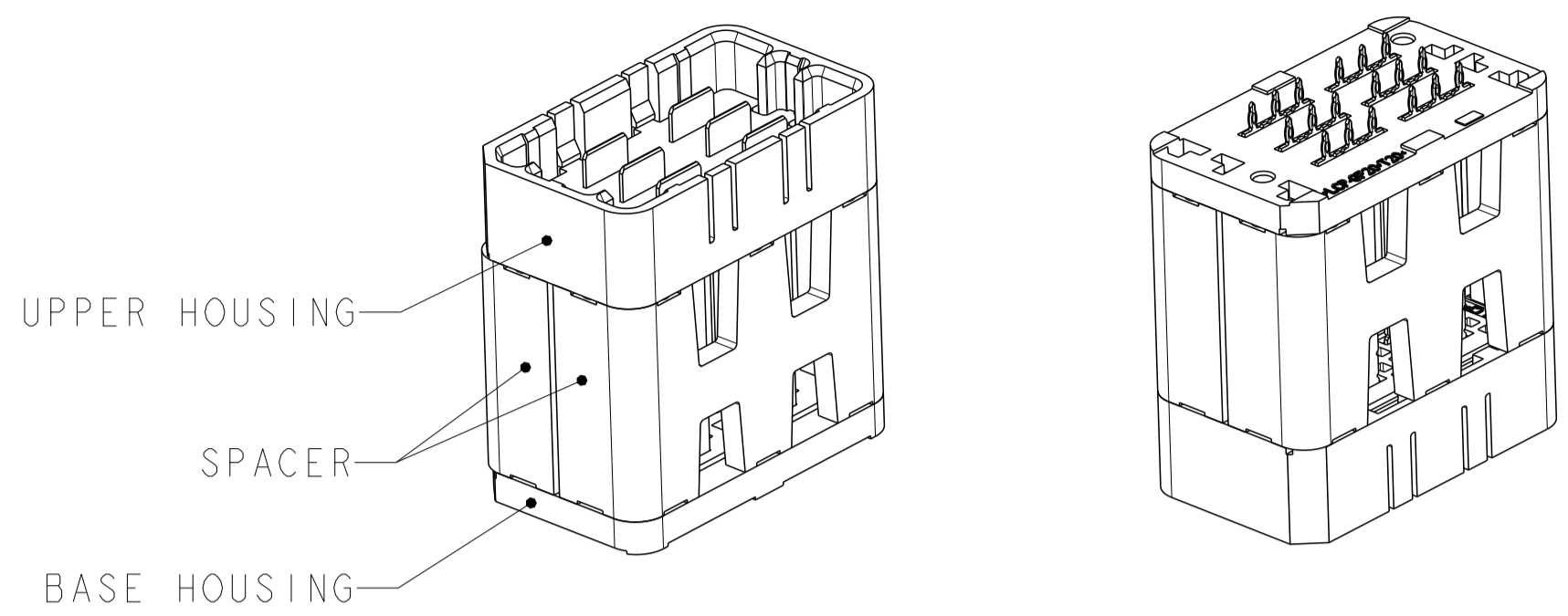
- △ MATERIAL:
 BASE HOUSING, UPPER HOUSING, ORGANIZER,
 AND SPACER: THERMOPLASTIC, FLAMMABILITY
 RATING UL94 V-0
 CONTACT: COPPER ALLOY
- 2. CONFORMS TO THE REQUIREMENTS OF TE PRODUCT
 SPECIFICATION, 108-2375; BASED ON TELCORDIA
 GR-1217-CORE FOR SYSTEM QUALITY LEVEL III,
 APPLICATIONS IN CONTROLLED ENVIRONMENTS
 (CENTRAL OFFICE).
 SEE TE PRODUCT SPECIFICATION 108-2375 FOR
 TEST SEQUENCES.
- △ 3. SPECIFIED POSITIONAL TOLERANCE DEFINES HOLE TO
 HOLE LOCATION WITHIN HOLE PATTERN. POSITIONAL
 TOLERANCE OF HOLE PATTERN TO FIDUCIAL MARKS
 OR PCB DATUMS SHALL BE DEFINED BY CUSTOMER.
- △ 4. AREA RESERVED FOR TE CONNECTIVITY LOGO.
- △ 5. AREA RESERVED FOR PART NUMBER (X-XXXXXXX-X) AND
 DATE CODE (YYWW).
- △ 6. USE CENTER LINES INDICATED ON PCB HOLE PATTERN
 TO ESTABLISH ALIGNMENT BETWEEN HEADER AND
 RECEPTACLE BOARDS.
- △ PLATED THROUGH HOLE REQUIREMENTS:
 HOLE SIZE PRIOR TO PLATING = $\varnothing 0.700 \pm 0.025$
 COPPER PLATING THICKNESS = 0.038 ± 0.013
 CALCULATED FINISHED HOLE SIZE = $\varnothing 0.624 \pm 0.051$
 THESE DIMENSIONS APPLY TO THE TOP 1.50mm OF
 THE PCB THICKNESS FROM THE CONNECTOR MOUNTING
 SIDE.
- △ CONTACT SALES FOR AVAILABILITY OF THIS STACK
 HEIGHT.

SIZE 1 HALF-WIDE *
6 POWER CONTACTS

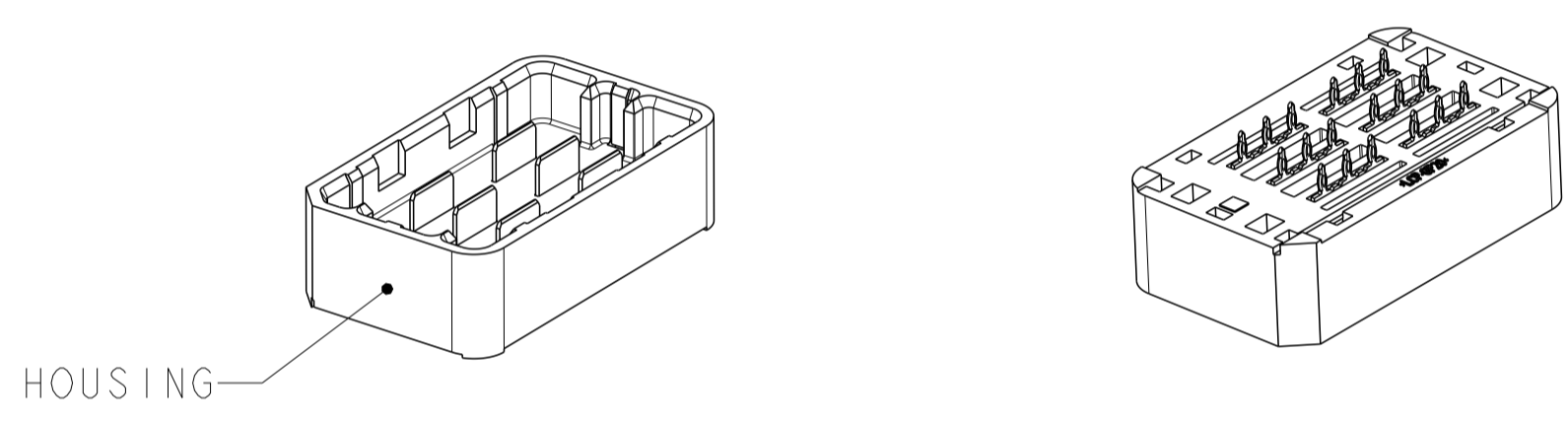
* SIZE 2 AND SIZE 3 ARE ALSO AVAILABLE

THIS DRAWING IS A CONTROLLED DOCUMENT.		DWN HAMNER 02NOV2010	TE Connectivity
DIMENSIONS:		CHK D. TROUT 03NOV2010	
mm	TOLERANCES UNLESS OTHERWISE SPECIFIED:	APVD J. FEDDER 03NOV2010	NAME HEADER ASSEMBLY, HALF-WIDE, 6P, STRADA MESA MEZZANINE CONNECTOR
0 PLC ±	1 PLC ±0.13	PRODUCT SPEC 108-2375	SIZE A100779
2 PLC ±0.013	3 PLC ±0.013	APPLICATION SPEC 114-13249	CAGE CODE C=2149520
4 PLC ±	ANGLES ±1	WEIGHT	RESTRICTED TO
MATERIAL	FINISH	Customer Drawing	SCALE 6:1 SHEET 1 OF 4 REV A

LOC	DIST	REVISIONS					
GP	00	P	LYN	DESCRIPTION	DATE	OWN	APVD
		-	-	SEE SHEET 1	-	-	-



ISOMETRIC VIEW
 TYPICAL CONFIGURATION FOR 14mm THRU 42mm
 28mm SHOWN
 SCALE 2:1



ISOMETRIC VIEWS
 TYPICAL CONFIGURATION FOR 8mm THRU 13mm
 8mm SHOWN
 SCALE 2:1

TOOLED	DIM H	STACK HEIGHT	CONTACT TAIL PLATING	PART NUMBER
△	41.8	42mm	MATTE Sn	9-2149520-2
△	40.8	41mm	MATTE Sn	9-2149520-1
YES	39.8	40mm	MATTE Sn	9-2149520-0
△	38.8	39mm	MATTE Sn	8-2149520-9
△	37.8	38mm	MATTE Sn	8-2149520-8
△	36.8	37mm	MATTE Sn	8-2149520-7
△	35.8	36mm	MATTE Sn	8-2149520-6
△	34.8	35mm	MATTE Sn	8-2149520-5
△	33.8	34mm	MATTE Sn	8-2149520-4
△	32.8	33mm	MATTE Sn	8-2149520-3
△	31.8	32mm	MATTE Sn	8-2149520-2
△	30.8	31mm	MATTE Sn	8-2149520-1
△	29.8	30mm	MATTE Sn	8-2149520-0
△	28.8	29mm	MATTE Sn	7-2149520-9
△	27.8	28mm	MATTE Sn	7-2149520-8
△	26.8	27mm	MATTE Sn	7-2149520-7
△	25.8	26mm	MATTE Sn	7-2149520-6
YES	24.8	25mm	MATTE Sn	7-2149520-5
△	23.8	24mm	MATTE Sn	7-2149520-4
△	22.8	23mm	MATTE Sn	7-2149520-3
YES	21.8	22mm	MATTE Sn	7-2149520-2
△	20.8	21mm	MATTE Sn	7-2149520-1
△	19.8	20mm	MATTE Sn	7-2149520-0
△	18.8	19mm	MATTE Sn	6-2149520-9
△	17.8	18mm	MATTE Sn	6-2149520-8
△	16.8	17mm	MATTE Sn	6-2149520-7
△	15.8	16mm	MATTE Sn	6-2149520-6
△	14.8	15mm	MATTE Sn	6-2149520-5
△	13.8	14mm	MATTE Sn	6-2149520-4
△	12.8	13mm	MATTE Sn	6-2149520-3
△	11.8	12mm	MATTE Sn	6-2149520-2
△	10.8	11mm	MATTE Sn	6-2149520-1
△	9.8	10mm	MATTE Sn	6-2149520-0
△	8.8	9mm	MATTE Sn	5-2149520-9
△	7.8	8mm	MATTE Sn	5-2149520-8

TOOLED	DIM H	STACK HEIGHT	CONTACT TAIL PLATING	PART NUMBER
△	41.8	42mm	Sn/Pb	4-2149520-2
△	40.8	41mm	Sn/Pb	4-2149520-1
YES	39.8	40mm	Sn/Pb	4-2149520-0
△	38.8	39mm	Sn/Pb	3-2149520-9
△	37.8	38mm	Sn/Pb	3-2149520-8
△	36.8	37mm	Sn/Pb	3-2149520-7
△	35.8	36mm	Sn/Pb	3-2149520-6
△	34.8	35mm	Sn/Pb	3-2149520-5
△	33.8	34mm	Sn/Pb	3-2149520-4
△	32.8	33mm	Sn/Pb	3-2149520-3
△	31.8	32mm	Sn/Pb	3-2149520-2
△	30.8	31mm	Sn/Pb	3-2149520-1
△	29.8	30mm	Sn/Pb	3-2149520-0
△	28.8	29mm	Sn/Pb	2-2149520-9
△	27.8	28mm	Sn/Pb	2-2149520-8
△	26.8	27mm	Sn/Pb	2-2149520-7
△	25.8	26mm	Sn/Pb	2-2149520-6
YES	24.8	25mm	Sn/Pb	2-2149520-5
△	23.8	24mm	Sn/Pb	2-2149520-4
△	22.8	23mm	Sn/Pb	2-2149520-3
YES	21.8	22mm	Sn/Pb	2-2149520-2
△	20.8	21mm	Sn/Pb	2-2149520-1
△	19.8	20mm	Sn/Pb	2-2149520-0
△	18.8	19mm	Sn/Pb	1-2149520-9
△	17.8	18mm	Sn/Pb	1-2149520-8
△	16.8	17mm	Sn/Pb	1-2149520-7
△	15.8	16mm	Sn/Pb	1-2149520-6
△	14.8	15mm	Sn/Pb	1-2149520-5
△	13.8	14mm	Sn/Pb	1-2149520-4
△	12.8	13mm	Sn/Pb	1-2149520-3
△	11.8	12mm	Sn/Pb	1-2149520-2
△	10.8	11mm	Sn/Pb	1-2149520-1
△	9.8	10mm	Sn/Pb	1-2149520-0
△	8.8	9mm	Sn/Pb	2149520-9
△	7.8	8mm	Sn/Pb	2149520-8

THIS DRAWING IS A CONTROLLED DOCUMENT. DIM HAMNER 02NOV2010
 CHK D. TROUT 03NOV2010
 APVD J. FEDDER 03NOV2010

STE TE Connectivity

NAME: HEADER ASSEMBLY, HALF-WIDE, 6P, STRADA MESA MEZZANINE CONNECTOR

PRODUCT SPEC: 108-2375
 APPLICATION SPEC: 114-13249

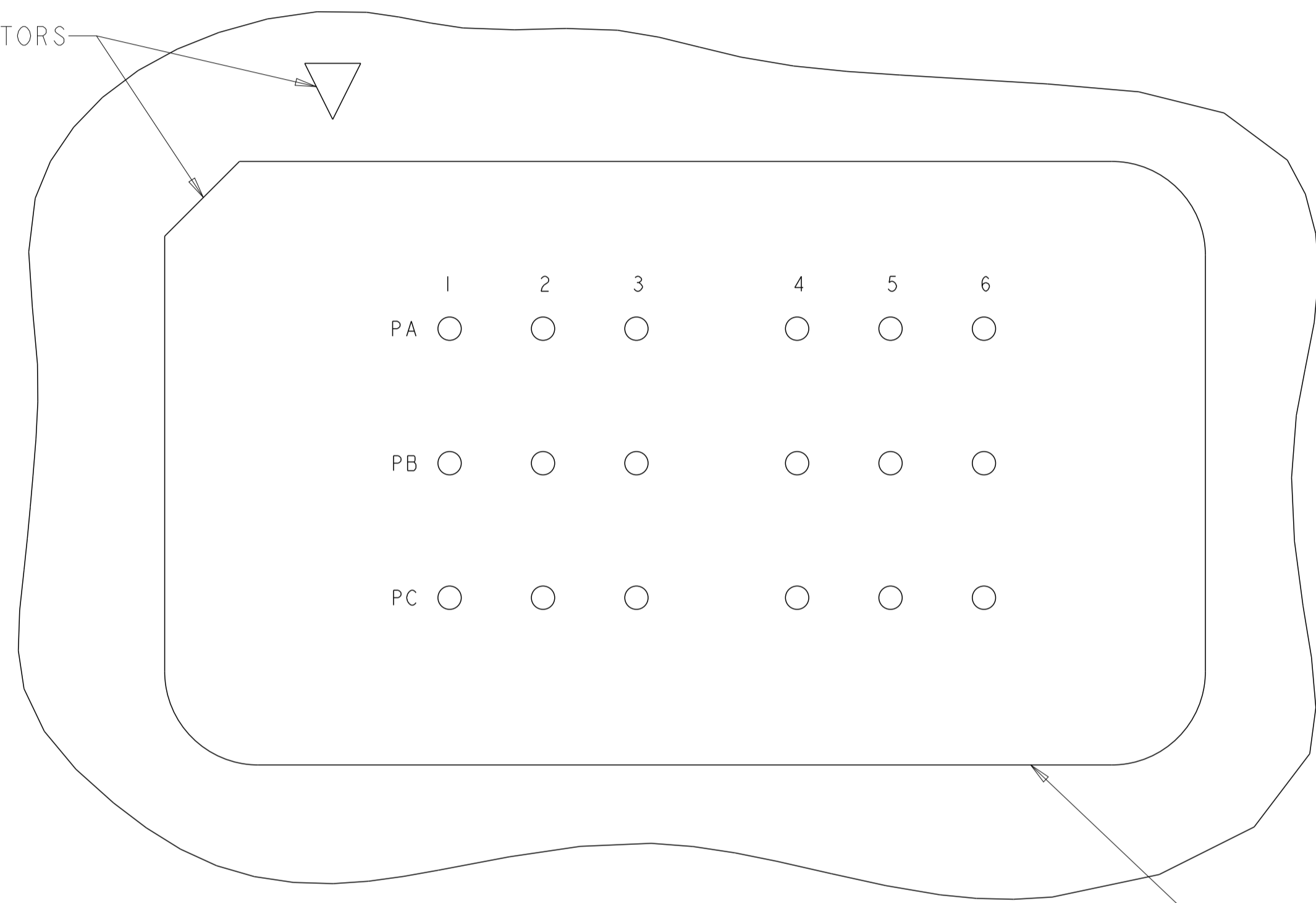
SIZE: A1 CAGE CODE: 2149520 DRAWING NO: 00779
 WEIGHT: -

Customer Drawing SCALE: 6:1 SHEET 2 OF 4 REV A

THIS DRAWING IS UNPUBLISHED. RELEASED FOR PUBLICATION 20
 © COPYRIGHT 20 BY - ALL RIGHTS RESERVED.


LOC	DIST	REVISIONS			
P	LTN	DESCRIPTION	DATE	DWN	APVD
-	-	SEE SHEET 1	-	-	-

AI CORNER INDICATORS

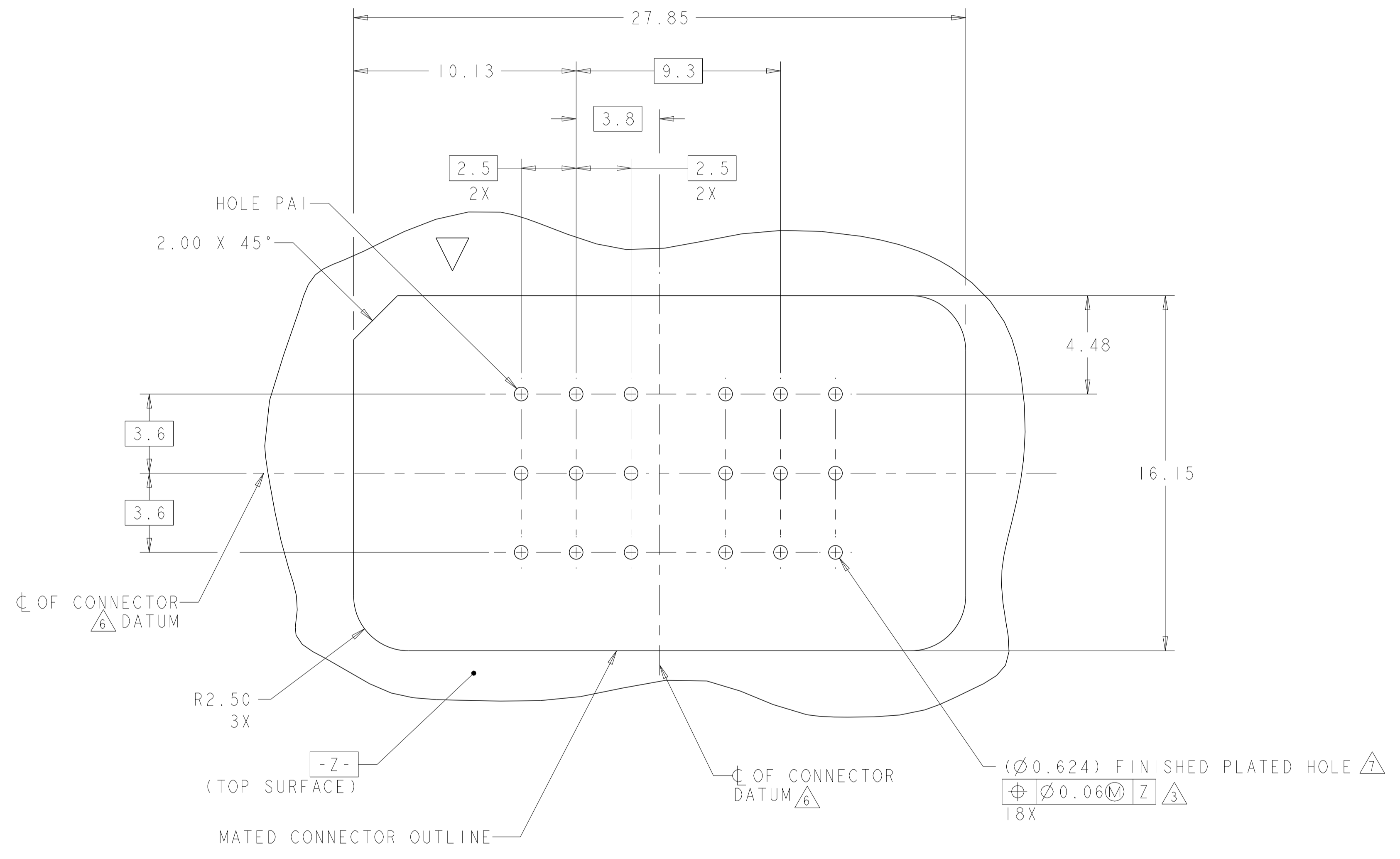


MATED CONNECTOR OUTLINE
 SEE SHEET 4 FOR LOCATION TO HOLES

PCB LAYOUT AND PIN IDENTIFICATION
 SHOWN FROM CONNECTOR SIDE
 SCALE 8:1

THIS DRAWING IS A CONTROLLED DOCUMENT.		DWN HAMNER 02NOV2010	 TE Connectivity
DIMENSIONS: mm		CHK D. TROUT 03NOV2010	
TOLERANCES UNLESS OTHERWISE SPECIFIED:		APVD J. FEDDER 03NOV2010	NAME
0 PLC ±	1 PLC ±	PRODUCT SPEC	HEADER ASSEMBLY,
2 PLC ±0.13	3 PLC ±0.013	108-2375	HALF-WIDE, 6P,
4 PLC ±	ANGLES ±1	APPLICATION SPEC	STRADA MESA MEZZANINE CONNECTOR
MATERIAL	FINISH	114-13249	SIZE CAGE CODE DRAWING NO RESTRICTED TO
-	-	WEIGHT	A100779C=2149520
Customer Drawing		SCALE 6:1	SHEET 3 OF 4 REV A

LOC	DIST	REVISIONS			
P	LTN	DESCRIPTION	DATE	DMN	APVD
GP	00	SEE SHEET 1	-	-	-



PCB HOLE PATTERN
 SHOWN FROM CONNECTOR SIDE
 SCALE 7:1

THIS DRAWING IS A CONTROLLED DOCUMENT.		DMN HAMNER 02NOV2010	TE Connectivity
DIMENSIONS: mm		CHK D. TROUT 03NOV2010	
TOLERANCES UNLESS OTHERWISE SPECIFIED: 0 PLC ± 1 PLC ± 2 PLC ±0.13 3 PLC ±0.013 4 PLC ± ANGLES ±1 FINISH -		APVD J. FEDDER 03NOV2010	NAME
MATERIAL -		PRODUCT SPEC 108-2375	HEADER ASSEMBLY, HALF-WIDE, 6P, STRADA MESA MEZZANINE CONNECTOR
WEIGHT -		APPLICATION SPEC 114-13249	SIZE CAGE CODE DRAWING NO RESTRICTED TO
Customer Drawing		SCALE 6:1	A 100779 ©=2149520 SHEET 4 OF 4 REV A