



Chipsmall Limited consists of a professional team with an average of over 10 year of expertise in the distribution of electronic components. Based in Hongkong, we have already established firm and mutual-benefit business relationships with customers from,Europe,America and south Asia,supplying obsolete and hard-to-find components to meet their specific needs.

With the principle of “Quality Parts,Customers Priority,Honest Operation,and Considerate Service”,our business mainly focus on the distribution of electronic components. Line cards we deal with include Microchip,ALPS,ROHM,Xilinx,Pulse,ON,Everlight and Freescale. Main products comprise IC,Modules,Potentiometer,IC Socket,Relay,Connector.Our parts cover such applications as commercial,industrial, and automotives areas.

We are looking forward to setting up business relationship with you and hope to provide you with the best service and solution. Let us make a better world for our industry!



Contact us

Tel: +86-755-8981 8866 Fax: +86-755-8427 6832

Email & Skype: info@chipsmall.com Web: www.chipsmall.com

Address: A1208, Overseas Decoration Building, #122 Zhenhua RD., Futian, Shenzhen, China



PART NUMBER	REV	FEED TYPE	DESCRIPTION	PROGRAMMED MEMORY CHIP
2151001-1	A	MECHANICAL	FINE CRIMP HEIGHT ADJUST	-
2151001-2	A	PNEUMATIC	FINE CRIMP HEIGHT ADJUST	-
2151001-5	A	SERVO	FINE CRIMP HEIGHT ADJUST	8-2151001-5
2151001-6	A	SERVO	NON-CRIMP HEIGHT ADJUST	8-2151001-6
2151001-7	A	NONE	FINE CRIMP HEIGHT ADJUST	-
7-2151001-7	A	-	SPARE PARTS KIT	-

APPLICATOR DATA		
CRIMP	SIZE	TYPE
WIRE	3.56 mm [.140]	F
INSUL	-	-

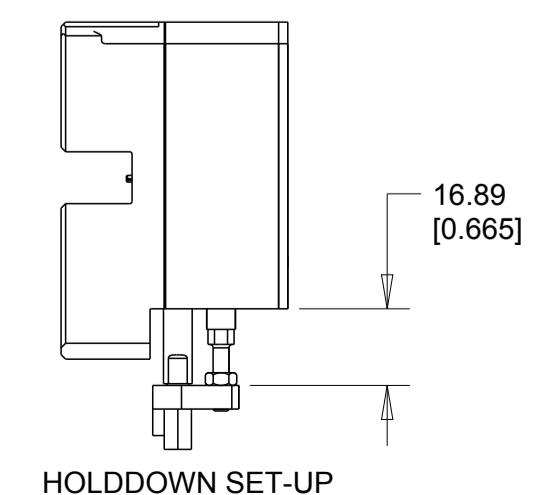
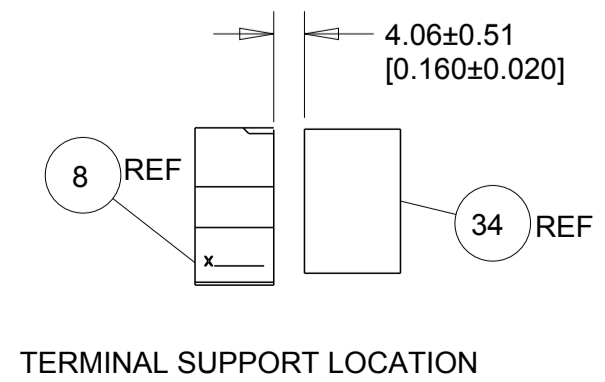
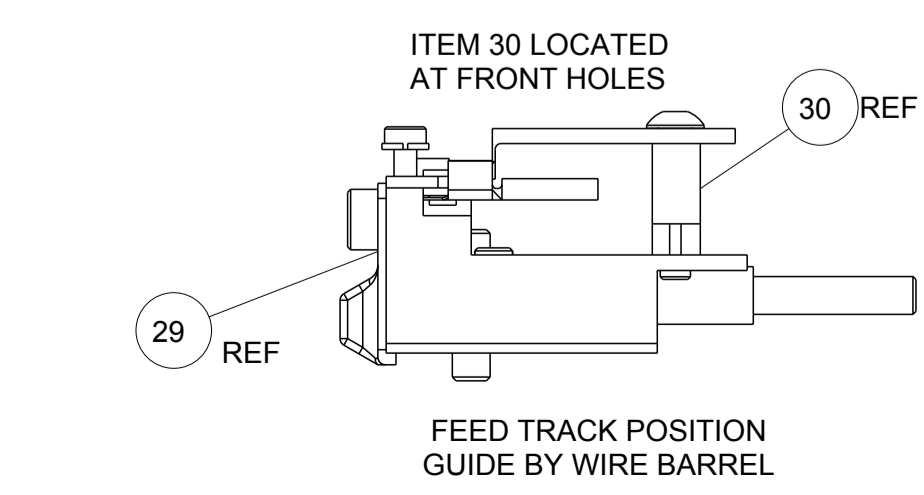
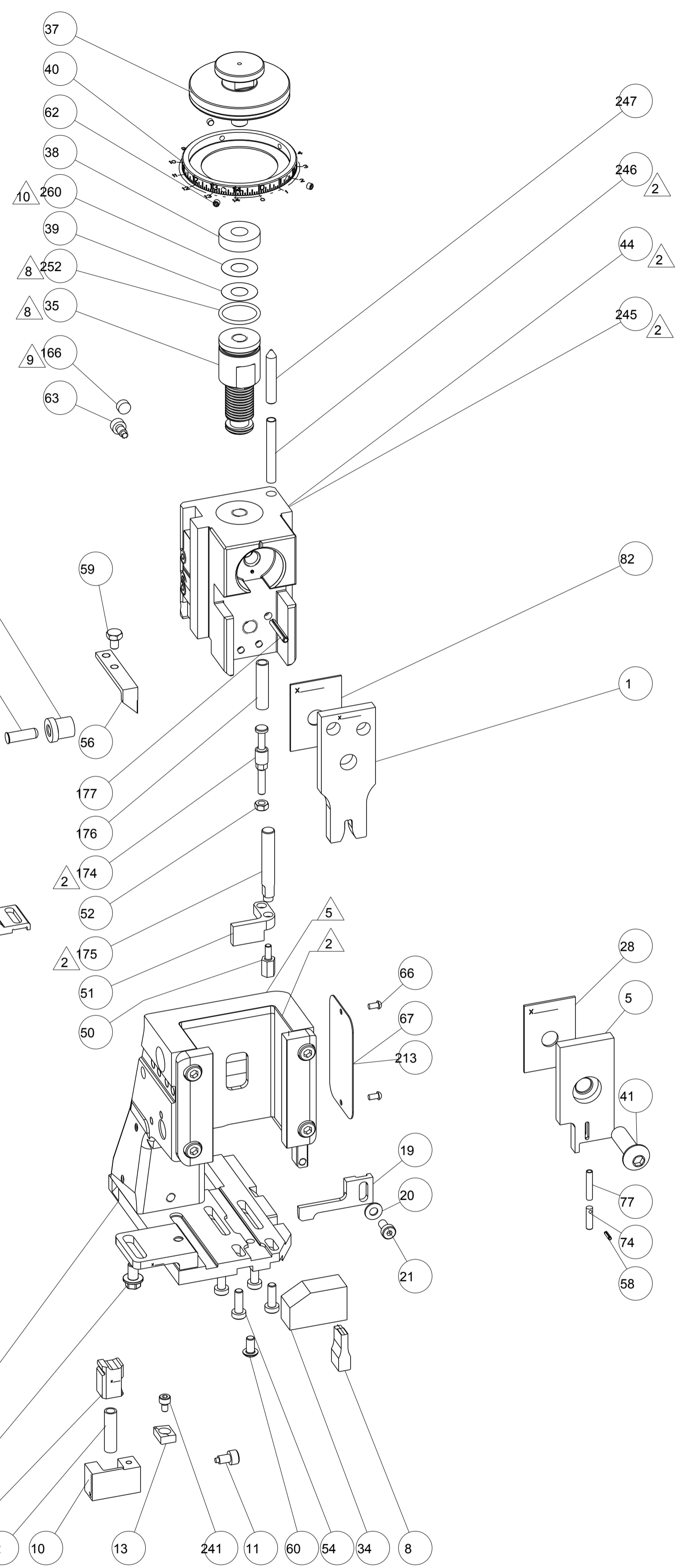
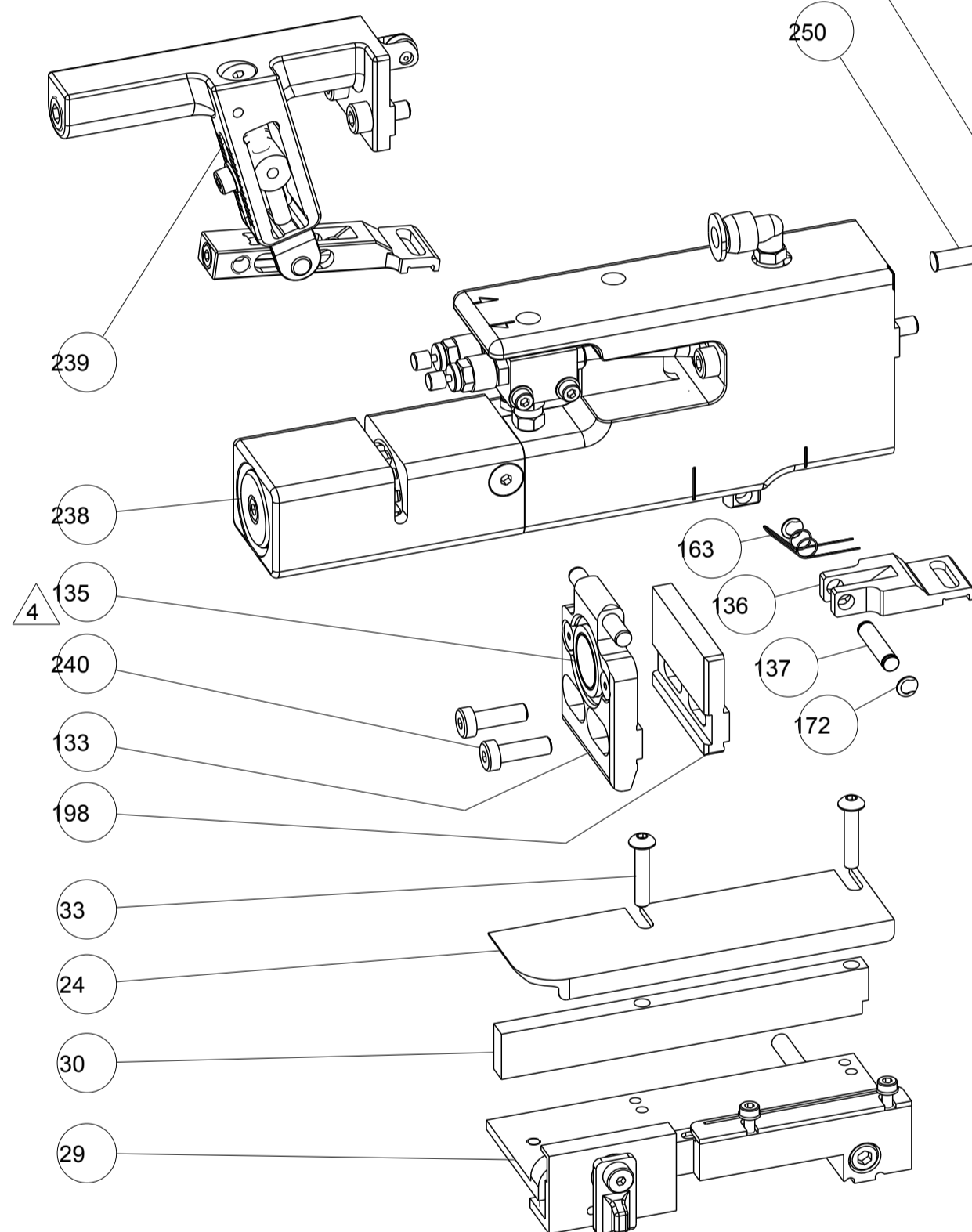
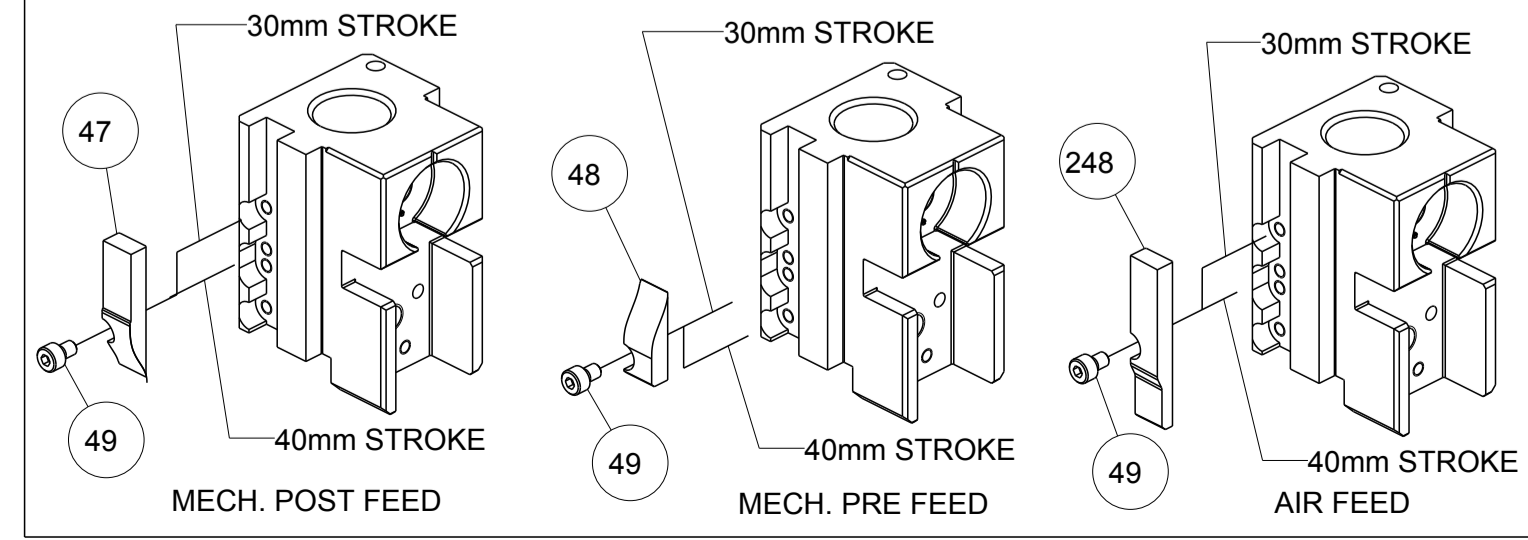
TERMINAL DATA: TE TERMINAL		TE CRIMP SPEC
TERMINAL NAME: UNIVERSAL MATE-N-LOCK PIN AND SOCKET		
WIRE STRIP LENGTH	INSULATION DIAMETER RANGE	
6.38-7.14 mm [.251-.281 IN]	0.00-5.08 mm [.000-.200 IN]	
TERMINAL APPL SPEC	114-1010	

TERMINALS APPLIED			
TE TERMINAL	TE TERMINAL	TE TERMINAL	TE TERMINAL
350923-3	770004-4	350922-3	770003-8
350923-4	1-770004-0	350922-6	770003-8
350923-6	1586065-1	770234-3	1-770003-0
770004-3	350922-1	770003-3	1586096-1

WIRE SIZE	CRIMP HEIGHT mm [INCH]	FINE ADJUST REF SETTING*
10 AWG	2.41+/-0.05 [.095+/- .002]	2.3
5.00mm ²	2.31+/-0.05 [.091+/- .002]	3.7
4.40mm ²	2.13+/-0.05 [.084+/- .002]	5.9
4.00mm ²	2.03+/-0.05 [.080+/- .002]	7.2
12 AWG	1.96+/-0.05 [.077+/- .002]	7.9

- 1 RECOMMENDED SPARE PARTS
- 2 GREASE BEARING SURFACES LIGHTLY
- 3 LUBRICATE DAILY PER THE APPLICATOR INSTRUCTION SHEET SUPPLIED WITH THE APPLICATOR.
- 4 APPLICATOR SPECIFIC DATA TO BE ENTERED INTO BLANK MEMORY CHIP AT ASSEMBLY.
- 5 TO CONVERT THE APPLICATOR TO A NON-CARRIER CUTTING STYLE, REMOVE ITEM 13 AND ATTACH TO THE LOCATION INDICATED.
- 6 POSITIONAL ADJUSTMENTS OF THE STRIPPER MAY BE REQUIRED WHEN MOVING THE APPLICATOR BETWEEN BENCH AND LEADMAKER APPLICATIONS.
- 7 FOR THE ASIAN VERSION OF THIS APPLICATOR, SEE LOG 2151001-9
- 8 GREASE THREADS, GROOVE & O-RING ON ITEMS 35 & 252.
- 9 MAGNET MUST BE ORIENTED CORRECTLY IN ORDER TO PROPERLY ACTUATE THE COUNTER.
- 10 WHEN ASSEMBLING NON-CRIMP HEIGHT ADJUST APPLICATOR (-6) USE SHIM PACK 2119957-2 TO ATTAIN APPLICATOR'S MAXIMUM WIRE CRIMP HEIGHT AT NORMAL TERMINATOR SHUT HEIGHT.

PART REQUIRED FOR FEED CONVERSIONS		
FEED VER. TO CONVERT TO	RETROFIT KIT	ADDITIONAL PARTS REQ'D
MECHANICAL	2119949-1	56
PNEUMATIC	2119950-1	56
SERVO	2119951-1	135 & 240



SERVO FEED FINGER 2119944-1		SET UP GAUGE 2119599-1		LOC A	DIST 66	REVISIONS				
P	LTR	DESCRIPTION	DATE	OWN	APP'D					
1		ORIGINAL	4JAN2011	GH	GB					
A		RELEASED	15APR2011	LG	TE					
A1		ECR-11-018794	12SEP2011	GH	TE					
10		2119957-2			260					
		8-21084-0			252					
		2119640-1			250					
		2079988-1			249					
		2119641-1			248					
		2119798-1			247					
		1-22279-3			246					
		2119758-1			245					
		18023-1			241					
		2168084-6			240					
		2119580-1			239					
		2063440-1			238					
		2119740-2			213					
		1901094-3			198					
		993111-1			177					
		8-22280-7			176					
		1752353-2			175					
		1901680-2			174					
		21045-3			172					
		994969-1			166					
		240638-1			163					
		3-23627-7			137					
		2119799-1			136					
	REF	REF			135					
		1633743-1			133					
		455888-7			82					
		22278-7			77					
		854769-4			74					
		2119956-1			71					
		2119740-1			67					
		2168078-1			66					
		2119793-1			63					
		992763-4			62					
		2079383-4			60					
		5-18022-5			59					
		21028-2			58					
		1338685-1			56					
		2168084-1			54					
		1-5018030-0			52					
		1901681-1			51					
		2-1752354-0			50					
		18023-9			49					
		2119652-1			48					
		2119653-1			47					
		2119656-9			46					
		2119370-1			44					
		2079383-7			41					
		2119645-1			40					
		2119957-1			39					
		2119644-1			38					
		2119085-1			37					
		2119092-1			35					
		1752356-6			34					
		2079383-5			33					
		2161328-1			32					
		1-1320908-0			30					
		2119959-1			29					
		1-455888-0			28					
		1320928-2			24					
		2168084-4			21					
		1-18028-2			20					
		2119533-1			19					
		2119806-1			13					
		3-22280-3			12					
		356885-5			11					
		2119805-1			10					
		462006-6			9					
		1333227-5			8					
		1-2119780-1			5					
		1-456411-2			1					
-77	-7	-6	-5	-2	-1	PART NO	DESCRIPTION			ITEM NO
<small>THIS DRAWING IS UNPUBLISHED AND THE INFORMATION CONTAINED HEREIN IS UNCLASSIFIED EXCEPT WHERE SHOWN OTHERWISE. IT IS THE PROPERTY OF TYCO ELECTRONICS CORPORATION AND IS TO BE KEPT CONFIDENTIAL AND NOT TO BE REPRODUCED OR TRANSMITTED IN ANY FORM OR BY ANY MEANS, ELECTRONIC OR MECHANICAL, INCLUDING PHOTOCOPYING, RECORDING, OR BY ANY INFORMATION STORAGE AND RETRIEVAL SYSTEM, WITHOUT THE WRITTEN PERMISSION OF TYCO ELECTRONICS CORPORATION.</small>							DWN G. HOFFNER 4JAN2011 CHK G. BAILEY 5JAN2011 APD G. BAILEY 5JAN2011		TE Connectivity Harrisburg, PA 17105-3608	
DIMENSIONS: mm TOLERANCES UNLESS OTHERWISE SPECIFIED: 0 PLC ±.5 1 PLC ±0.5 3 PLC ±0.13 4 PLC ±0.013 ANGLES ±.1							NAME: Ocean Side Feed Atlantic Style Applicator APPLICATION SPEC: - PRODUCT SPEC: - WEIGHT: - SIZE: A1 CAGE CODE: 00779 DRAWING NO: C-2151001		RESTRICTED TO: - CUSTOMER ACCESSIBLE PRODUCTION DRAWING SCALE: 1:2 SHEET 1 OF 1 REV A1	