



Chipsmall Limited consists of a professional team with an average of over 10 year of expertise in the distribution of electronic components. Based in Hongkong, we have already established firm and mutual-benefit business relationships with customers from,Europe,America and south Asia,supplying obsolete and hard-to-find components to meet their specific needs.

With the principle of "Quality Parts,Customers Priority,Honest Operation,and Considerate Service",our business mainly focus on the distribution of electronic components. Line cards we deal with include Microchip,ALPS,ROHM,Xilinx,Pulse,ON,Everlight and Freescale. Main products comprise IC,Modules,Potentiometer,IC Socket,Relay,Connector.Our parts cover such applications as commercial,industrial, and automotives areas.

We are looking forward to setting up business relationship with you and hope to provide you with the best service and solution. Let us make a better world for our industry!



Contact us

Tel: +86-755-8981 8866 Fax: +86-755-8427 6832

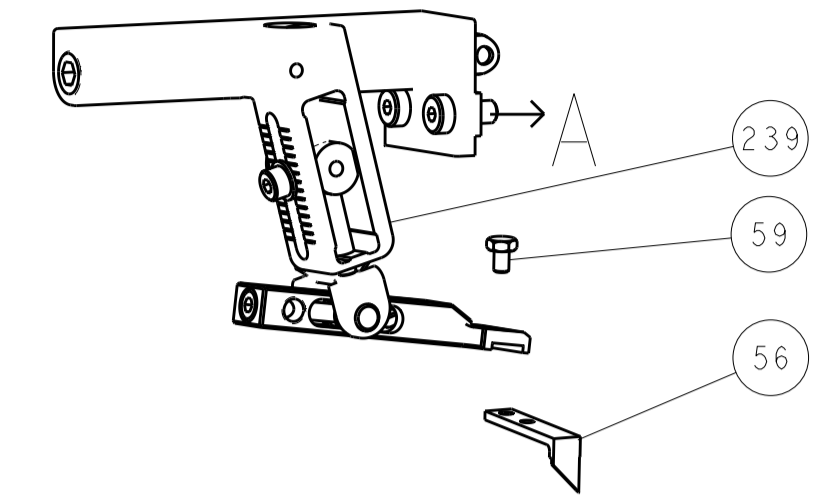
Email & Skype: info@chipsmall.com Web: www.chipsmall.com

Address: A1208, Overseas Decoration Building, #122 Zhenhua RD., Futian, Shenzhen, China

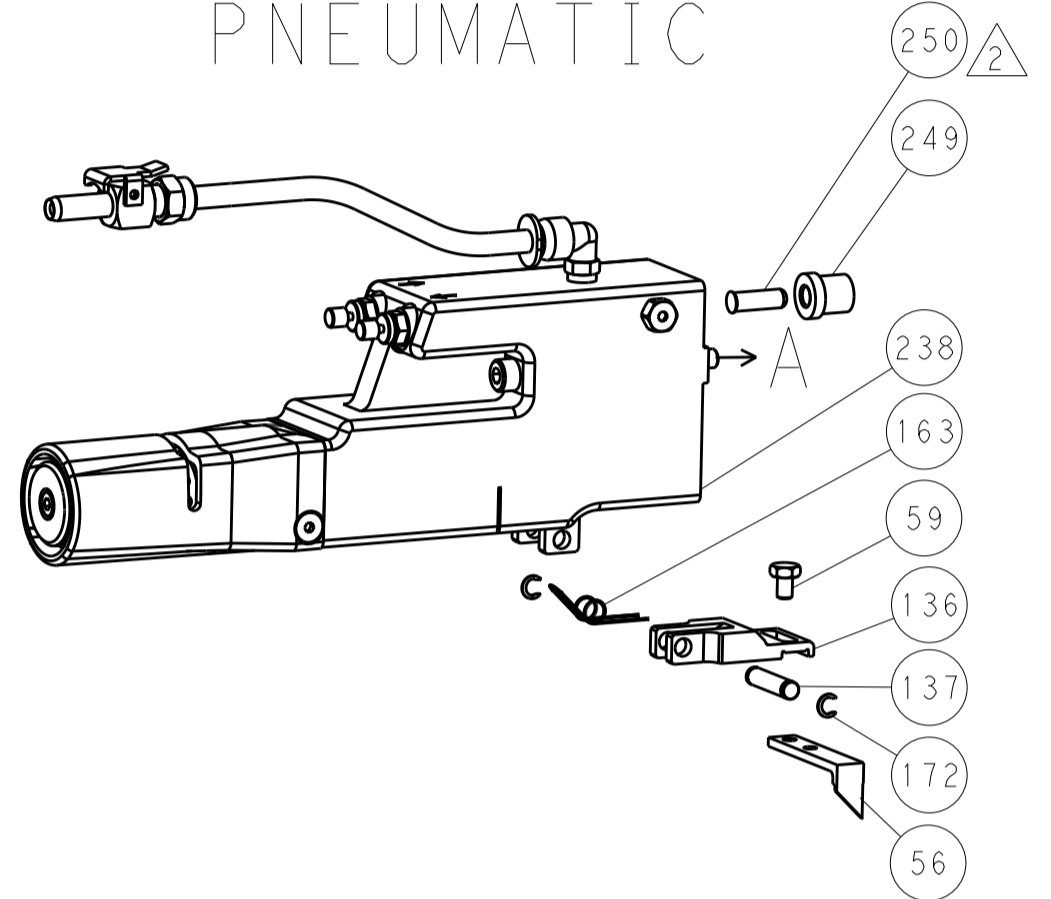


LOC	DIST	REV	DATE	BY	APPV
A	66				
REVISIONS			DATE	BY	APPV
- SEE SHEET 1			-	-	-

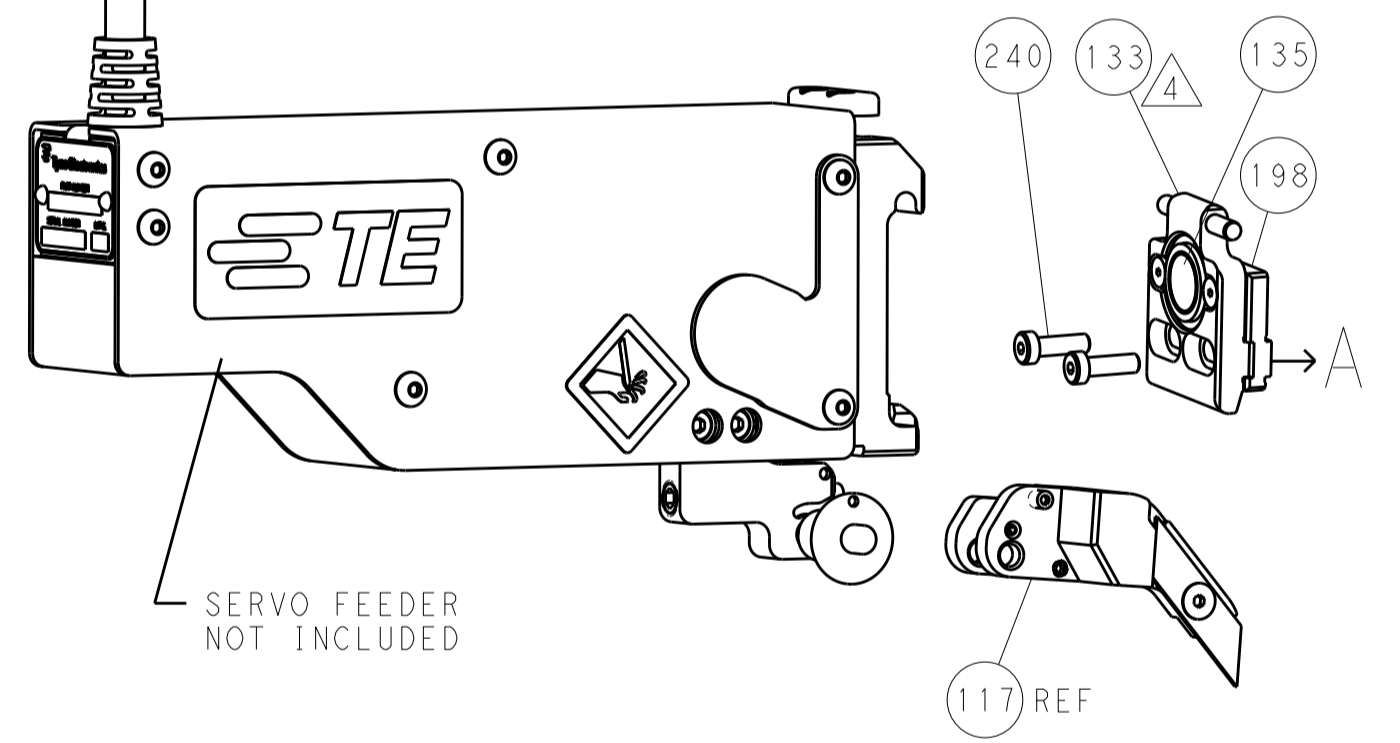
FEED TYPE MECHANICAL



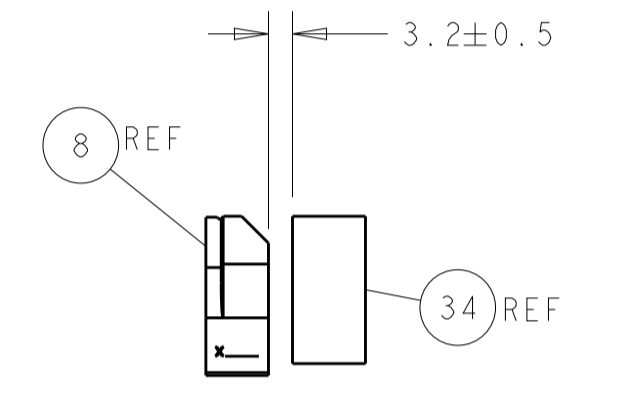
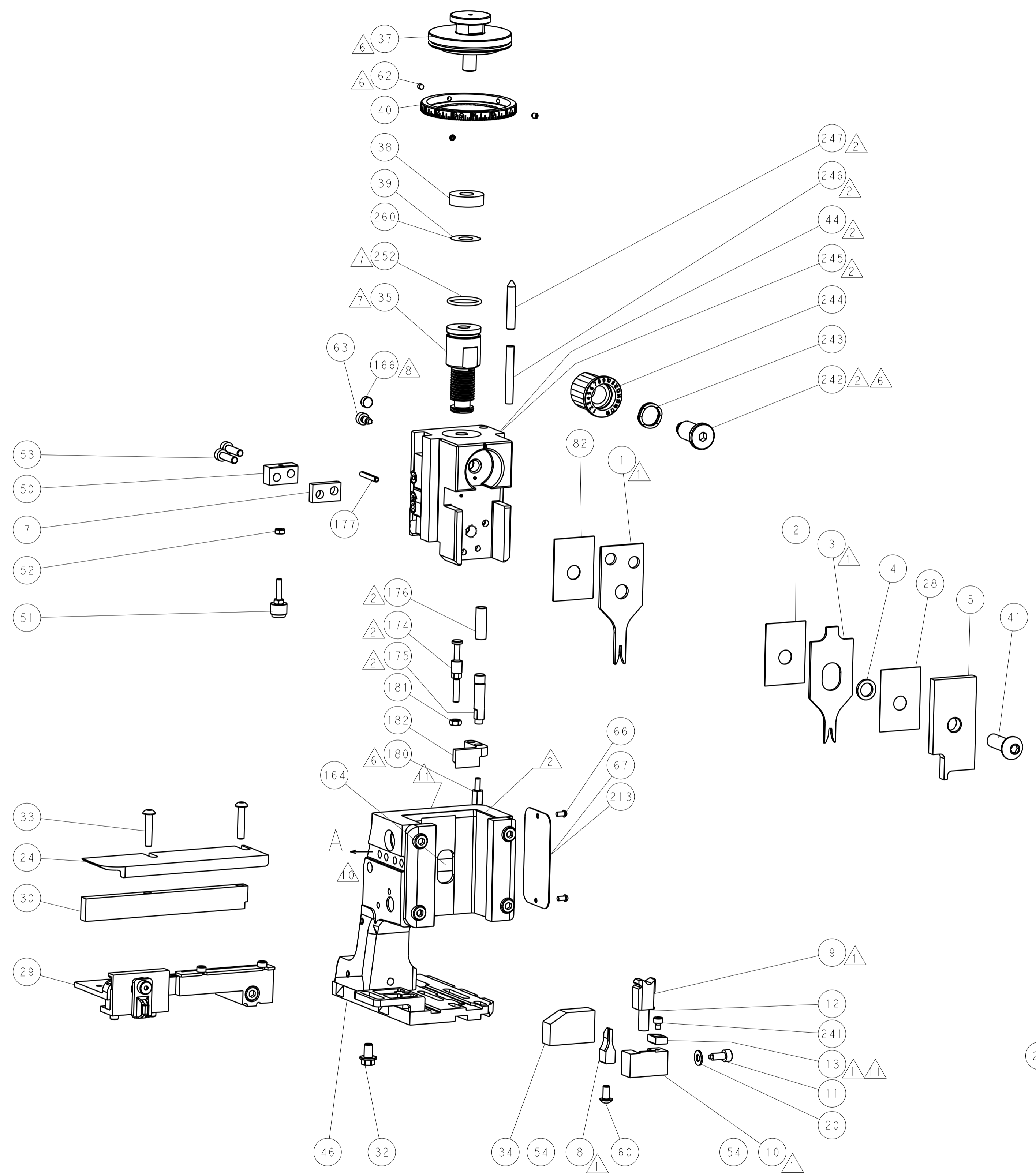
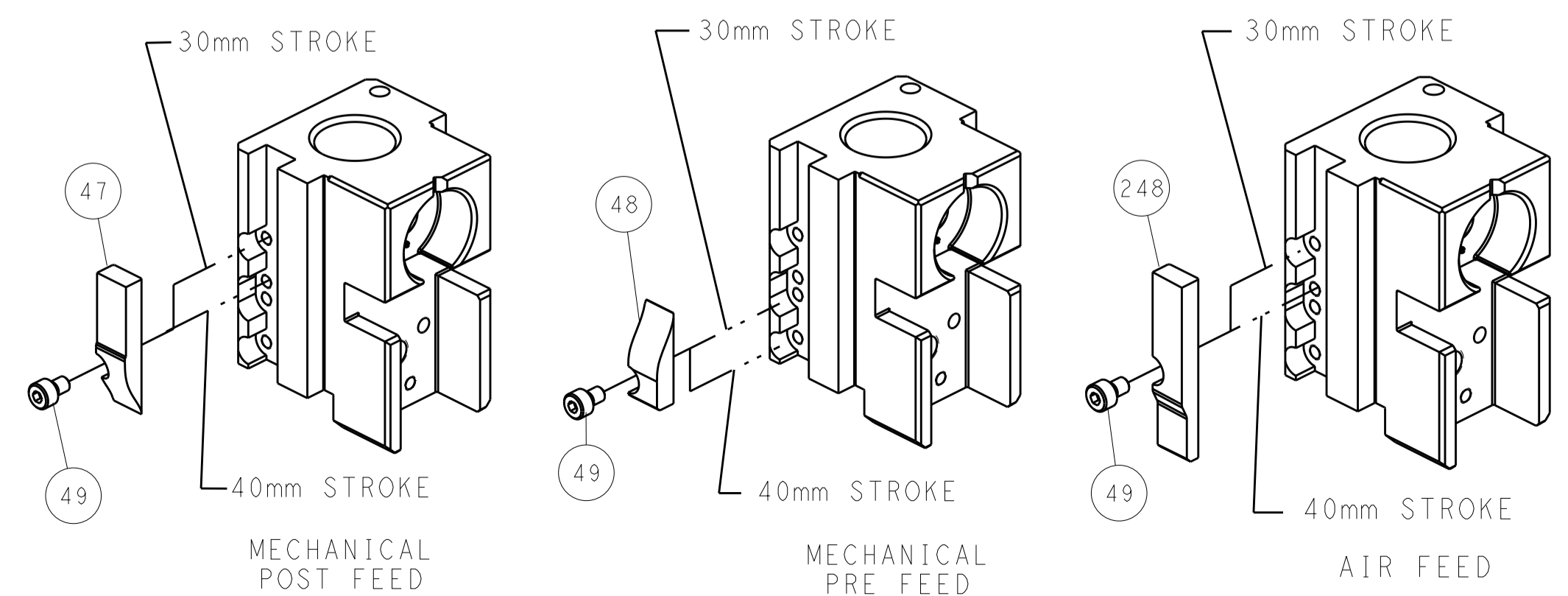
PNEUMATIC



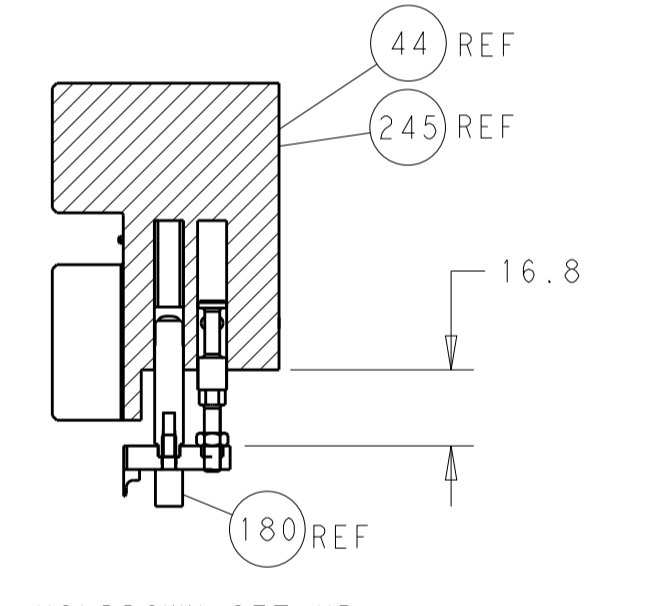
SERVO LATCH PLATE



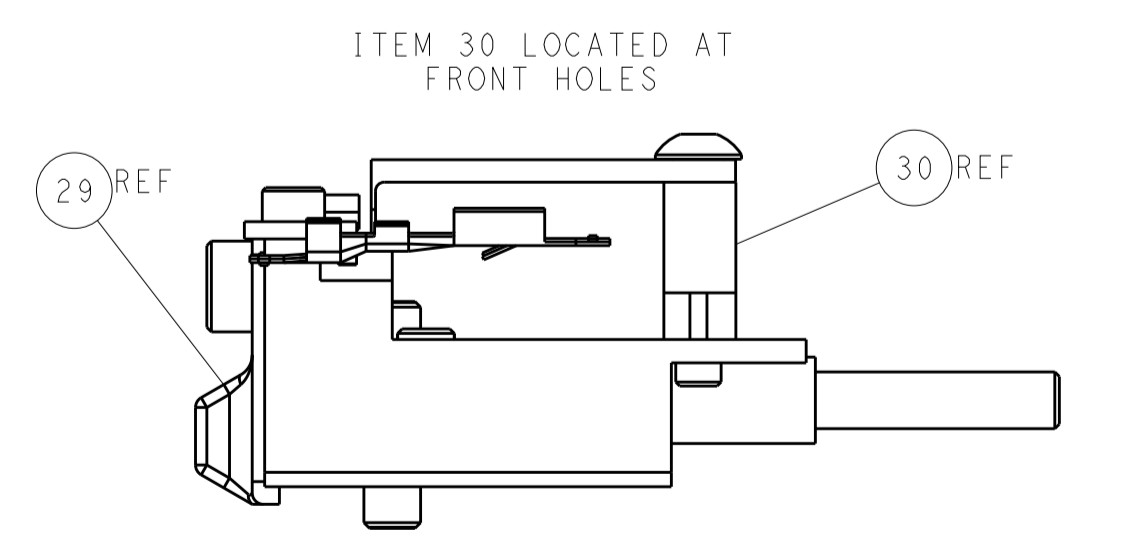
CAM POSITIONS



TERMINAL SUPPORT LOCATION



HOLDDOWN SET-UP



ITEM 30 LOCATED AT FRONT HOLES

ATLANTIC VERSION
 Shown on sheets 1 of 4 & 2 of 4
 (Pacific version shown on sheets 3 of 4 & 4 of 4)

DIMENSIONS:		TOLERANCES UNLESS OTHERWISE SPECIFIED:		DWG: HOFFNER 10FEB2015		TE Connectivity	
mm	0 PLC ±0.5	1 PLC ±0.5	2 PLC ±0.13	3 PLC ±0.013	4 PLC ±0.001	ANGLES	TE Connectivity Harrisburg, PA 17105-3608
MATERIAL:				NAME: Ocean Side Feed Applicator		RESTRICTED TO:	
FINISH:				SIZE: A1		CAGE CODE: 00779	
CUSTOMER ACCESSIBLE PRODUCTION DRAWING				SCALE: 1:2		SHEET 2 OF 4	

Table with columns: PACIFIC VERSION TERMINATOR INTERFACE ADAPTER, PART NUMBER, REVISION, DESCRIPTION, FEED TYPE, CONVERT TO, PART NUMBERS REQUIRED.

APPLICATOR DATA table with columns: CRIMP, SIZE, TYPE. Includes APPLICATOR INSTRUCTIONS 408-10389.

Terminal data tables for TE CRIMP SPECIFICATION, including wire strip length, insulation diameter range, and terminals applied.

Terminal data tables for TE CRIMP SPECIFICATION, including wire strip length, insulation diameter range, and terminals applied.

WIRE SIZE vs CRIMP HEIGHT mm [INCH] vs CRIMP HEIGHT REFERENCE SETTING table.

WIRE SIZE vs CRIMP HEIGHT mm [INCH] vs CRIMP HEIGHT REFERENCE SETTING table.

- RECOMMENDED SPARE PARTS
GREASE BEARING SURFACES LIGHTLY
LUBRICATE DAILY PER THE APPLICATOR INSTRUCTION SHEET SUPPLIED WITH THE APPLICATOR.
APPLICATOR SPECIFIC DATA TO BE ENTERED INTO BLANK MEMORY CHIP AT ASSEMBLY...

*WARNING
ON INSTALLATION, SET WIRE DISC, ITEM 40 TO LARGEST WIRE SIZE SETTING. USE OF SETTINGS BELOW MINIMUM REQUIRED CRIMP HEIGHT SETTING WILL CAUSE DAMAGE TO CRIMP TOOLING.

Table with columns: PART NO, DESCRIPTION, ITEM NO. Lists items like FINE ADJUST HEAD ASM, PUSH ROD, AIR FEED, BUSHING, SPRING, COMPRESSION.

PACIFIC VERSION
Shown on sheets 3 of 4 & 4 of 4
(Atlantic version shown on sheets 1 of 4 & 2 of 4)

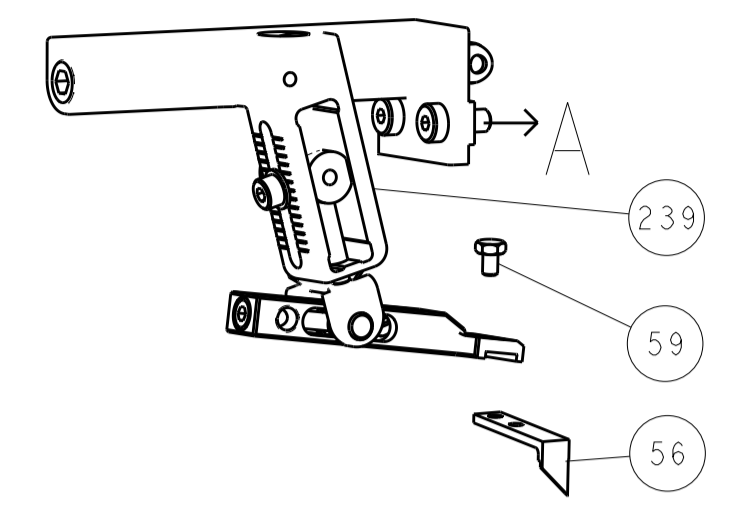
REVISIONS table with columns: P, LTM, DESCRIPTION, DATE, DWN, APVD.

Main parts list table with columns: P, LTM, DESCRIPTION, DATE, DWN, APVD. Lists various components like CAM, SNAIL, INSULATION ADJUSTMENT, WASHER, WAVE SPRING, etc.

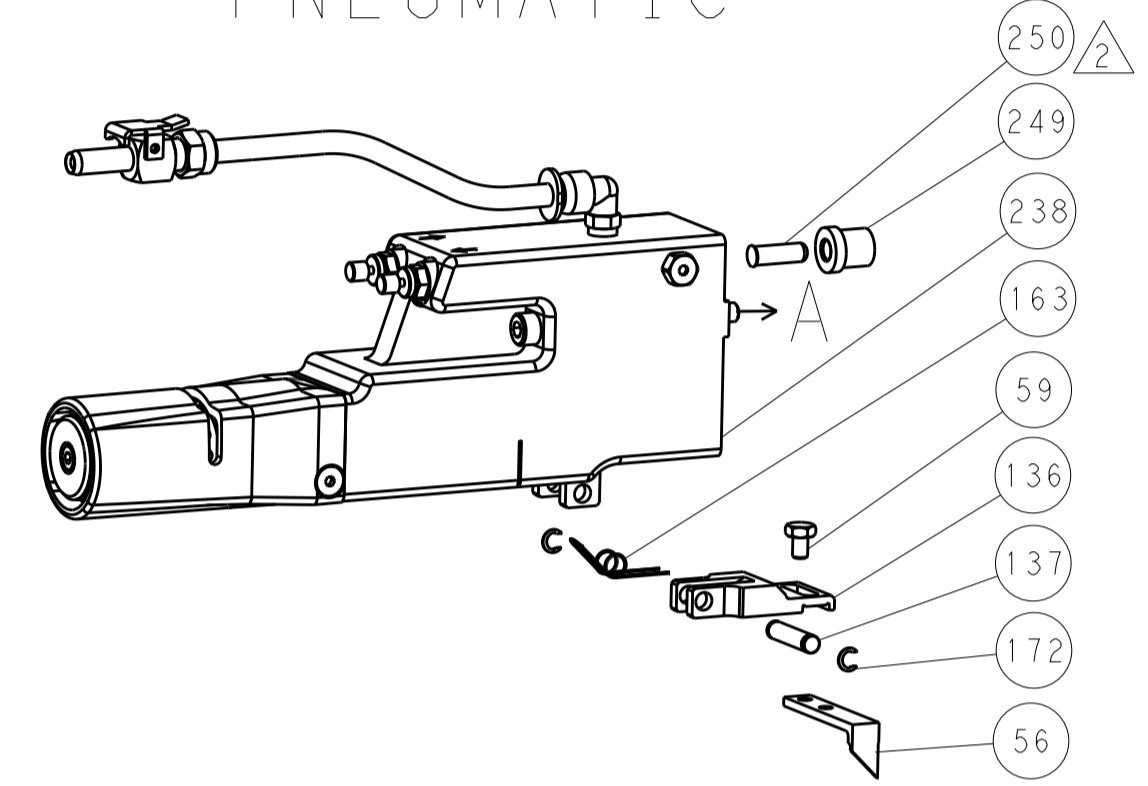
Technical drawing footer including dimensions, tolerances, materials, and customer accessible production drawing information.

LOC		DIST		REVISIONS			
A	66	P	LTM	DESCRIPTION	DATE	OWN	APVD
		-	-	SEE SHEET 1	-	-	-

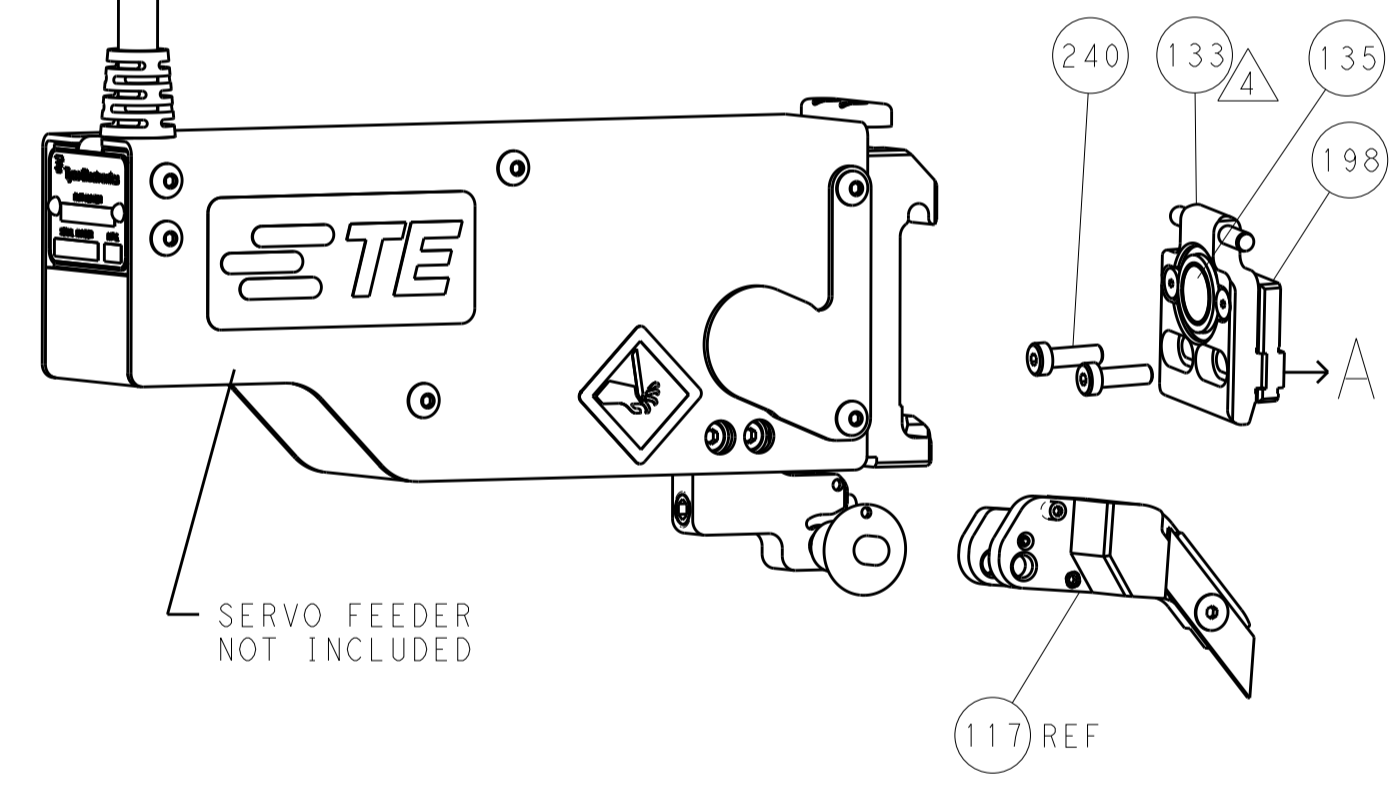
FEED TYPE MECHANICAL



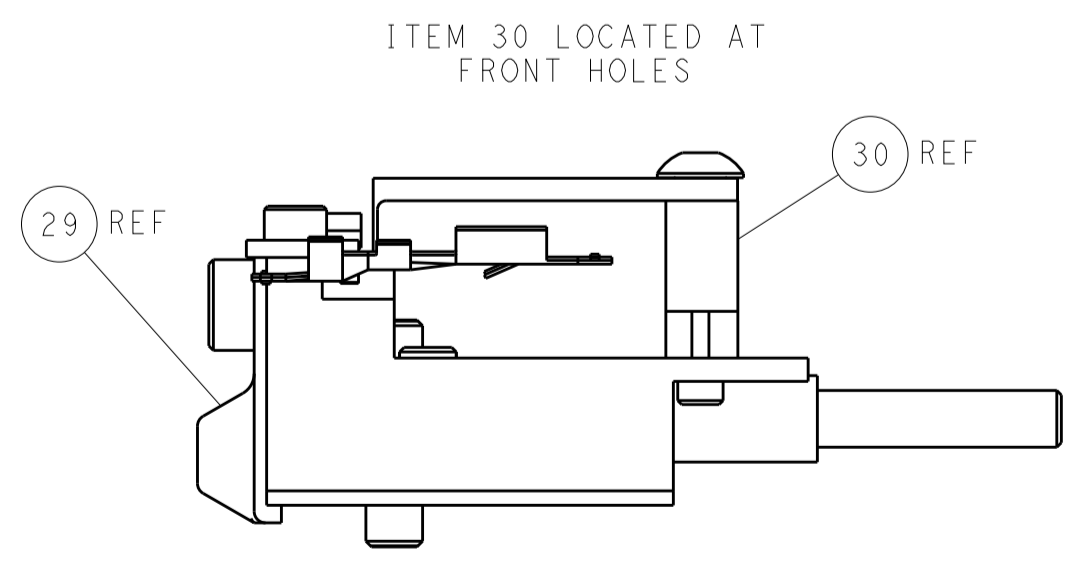
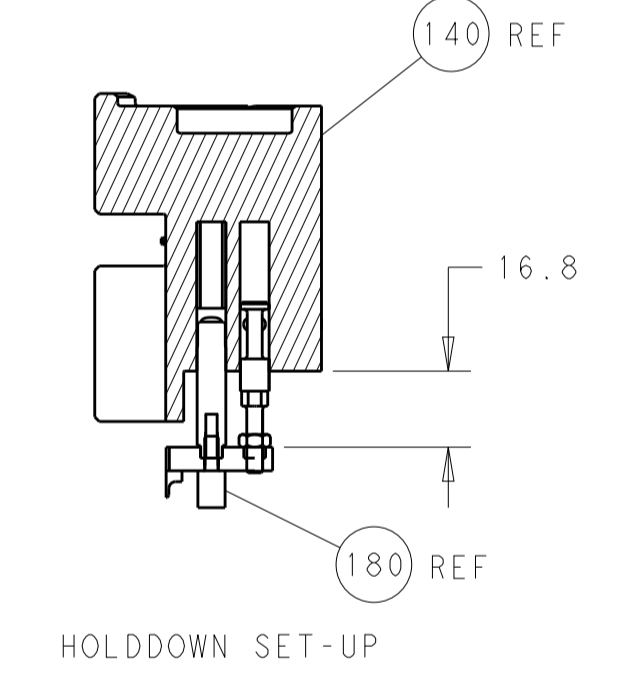
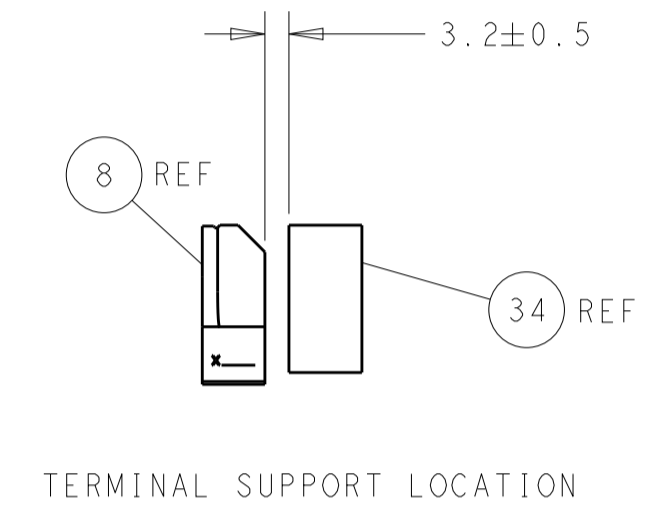
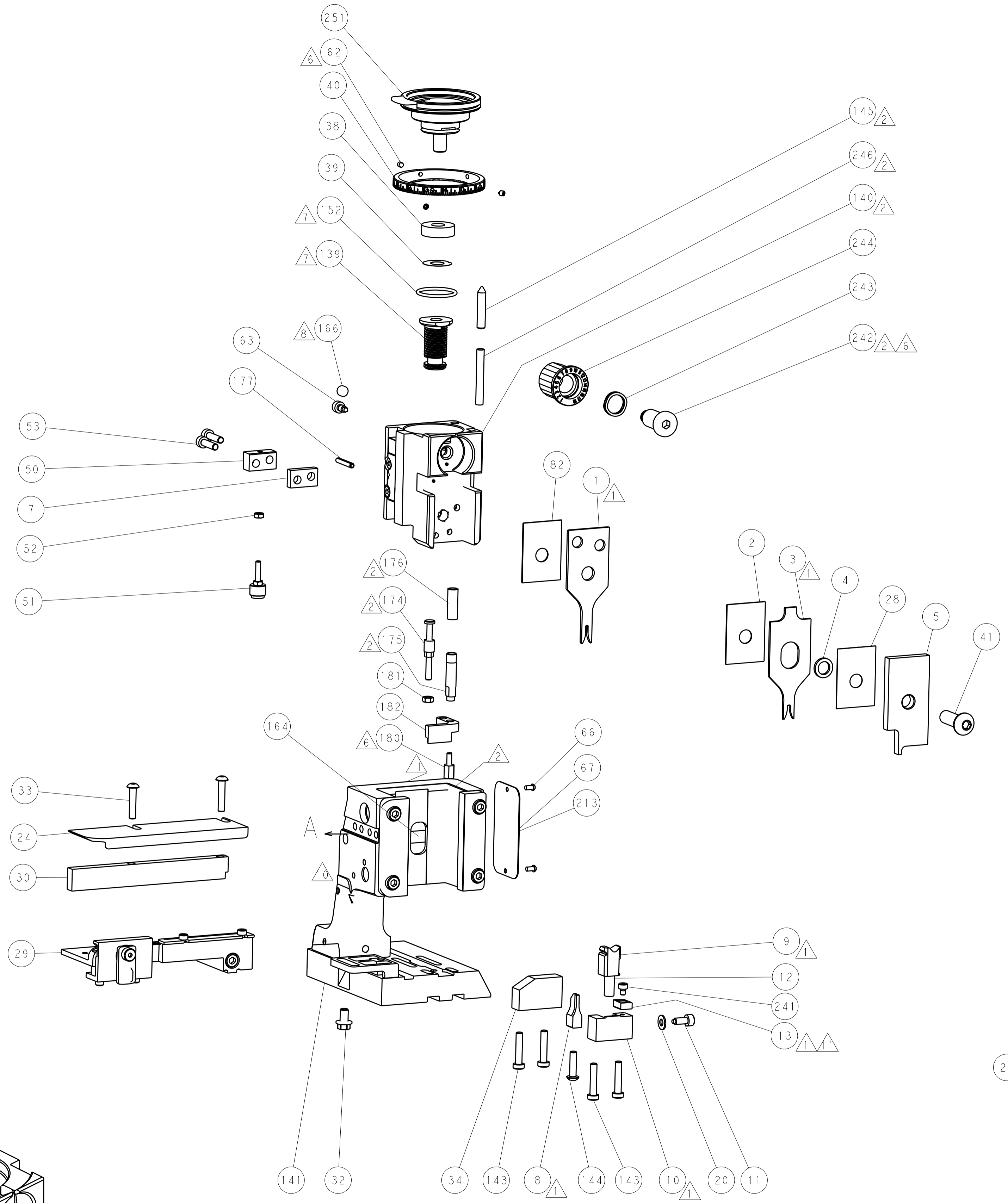
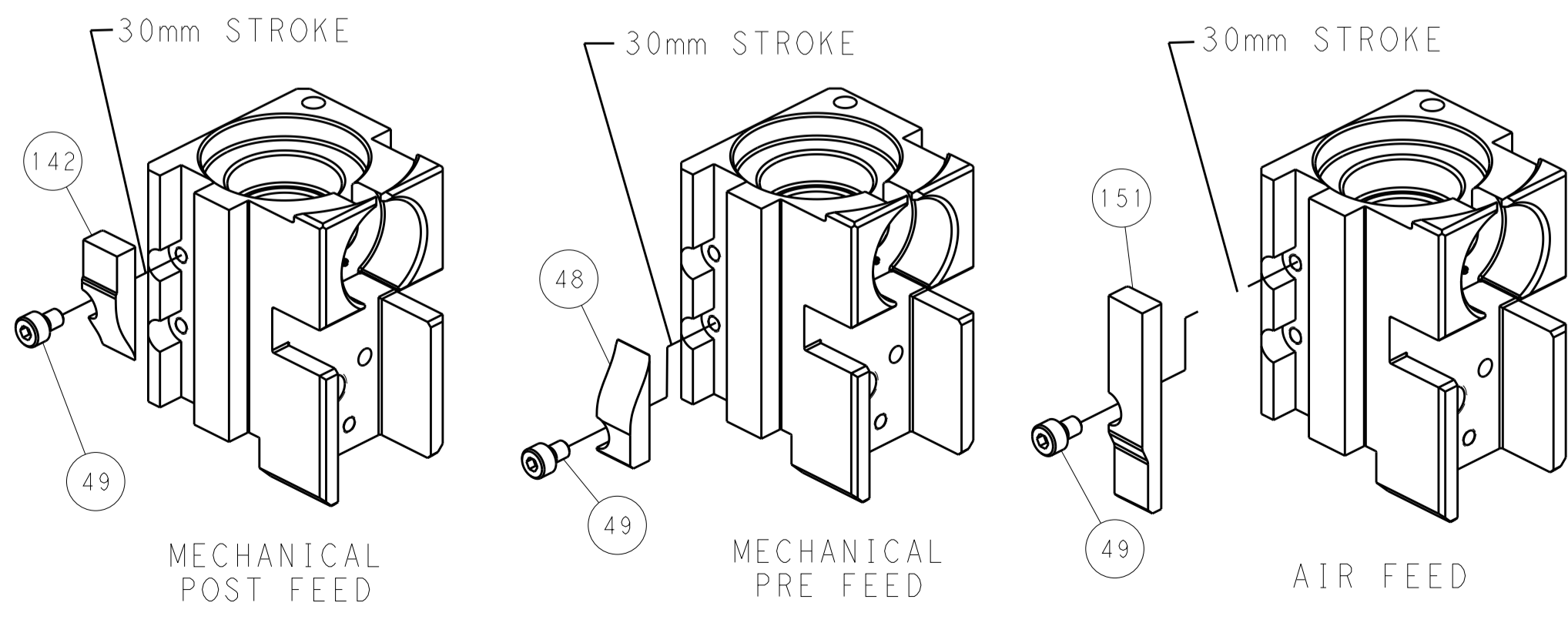
PNEUMATIC



SERVO LATCH PLATE



CAM POSITIONS



PACIFIC VERSION
 Shown on sheets 3 of 4 & 4 of 4
 (Atlantic version shown on sheets 1 of 4 & 2 of 4)

DIMENSIONS:		TOLERANCES UNLESS OTHERWISE SPECIFIED:		DWN: HOFFNER 10FEB2015		TE Connectivity	
mm	0 PLC ±0.5	1 PLC ±0.5	2 PLC ±0.13	3 PLC ±0.013	4 PLC ±0.001	APVD: TELBIN 11FEB2015	Harrisburg, PA 17105-3608
MATERIAL:		FINISH:		NAME: Ocean Side Feed Applicator		RESTRICTED TO:	
				SIZE: CAGE CODE: DRAWING NO: A1 00779 C=2266674		SCALE: 1:2 SHEET 4 OF 4 REV A1	