



Chipsmall Limited consists of a professional team with an average of over 10 year of expertise in the distribution of electronic components. Based in Hongkong, we have already established firm and mutual-benefit business relationships with customers from,Europe,America and south Asia,supplying obsolete and hard-to-find components to meet their specific needs.

With the principle of “Quality Parts,Customers Priority,Honest Operation,and Considerate Service”,our business mainly focus on the distribution of electronic components. Line cards we deal with include Microchip,ALPS,ROHM,Xilinx,Pulse,ON,Everlight and Freescale. Main products comprise IC,Modules,Potentiometer,IC Socket,Relay,Connector.Our parts cover such applications as commercial,industrial, and automotives areas.

We are looking forward to setting up business relationship with you and hope to provide you with the best service and solution. Let us make a better world for our industry!



## Contact us

Tel: +86-755-8981 8866 Fax: +86-755-8427 6832

Email & Skype: info@chipsmall.com Web: www.chipsmall.com

Address: A1208, Overseas Decoration Building, #122 Zhenhua RD., Futian, Shenzhen, China



4

3

2

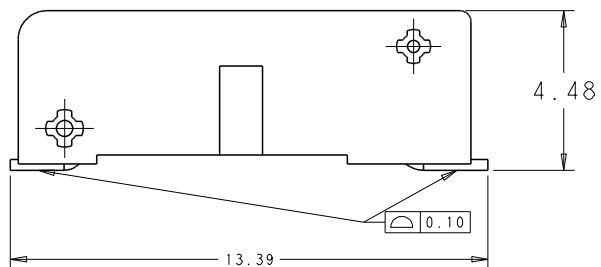
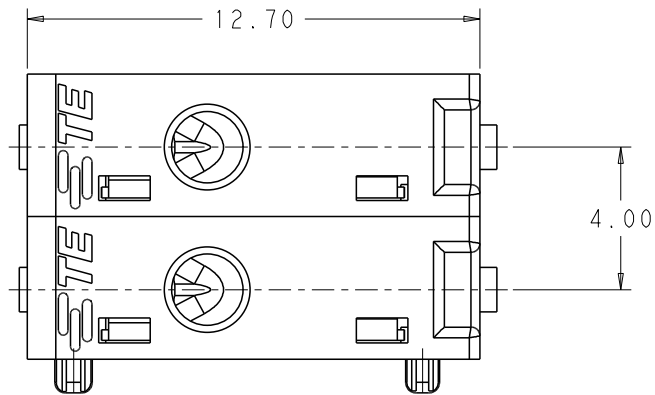
1

THIS DRAWING IS UNPUBLISHED. RELEASED FOR PUBLICATION 20  
 © COPYRIGHT 20 BY - ALL RIGHTS RESERVED.

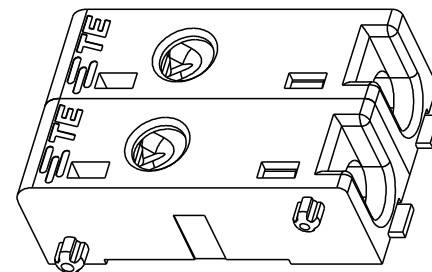
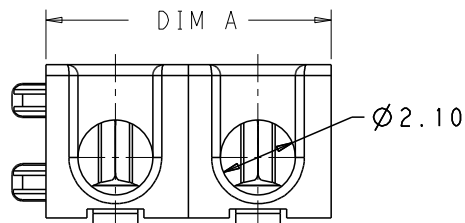
REVISIONS				
P	LYR	DESCRIPTION	DATE	DWN APVD
A		ECR-15-012540, RELEASE TO PRODUCTION	25AUG2015	G.F S.M
B		ECR-15-016620, ADD PCB LAYOUT	20NOV2015	G.F S.M
B1		ADD COLOR P/N	19FEB2016	G.F S.M
B2		ADD P/N:5-2834006-1 and PACKAGE	25MAY2016	G.F S.M

NOTES :

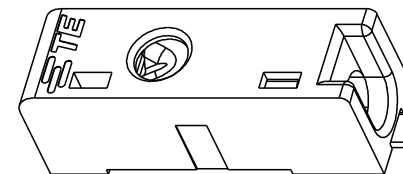
- 1. MATERIALS AND FINISH:  
 - HOUSING: HIGH TEMPERATURE RESIN  
 - CONTACTS: COPPER ALLOY, FINISH: PRE-TIN OVER NICKEL UNDERPLATE
- 2. MUST COMPLY WITH DIRECTIVE 2002/95/EC (ROHS)
- 3. WIRE TYPES AND SIZES ACCEPTED  
 SOLID WIRE: 18AWG, 20AWG, 22AWG, 16AWG (ONLY ONE TIME INSERTING)  
 STRANDED WIRE(TIN-DIPPED): 18AWG( STRANDS:16); 20AWG(STRANDS:7);  
 22AWG(STRANDS:7 )  
 MAX INSULATION OD: 2.05mm MAX.  
 STRIP LENGTH: 8.0±0.5mm
- 4. PACKAGED IN TAPE AND REEL



SCALE 10:1



NORMAL TYPE



P/N: 5-2834006-1

THIS DRAWING IS A CONTROLLED DOCUMENT.		DWN: GEORGE FU 25MAY2016	TE Connectivity	
		CHK: SHI MING 25MAY2016		
DIMENSIONS:		APVD: XU XIANG 25MAY2016	NAME: CONNECTOR ASSEMBLY	
TOLERANCES UNLESS OTHERWISE SPECIFIED:		PRODUCT SPEC:	RELEASEABLE POKE-IN	
mm	0 PLC ±-	108-137055	-	
	1 PLC ±0.2	APPLICATION SPEC:	-	
	2 PLC ±0.13	114-137055	SIZE: A2	CAGE CODE: 2834006
	3 PLC ±-	WEIGHT: -	DRAWING NO: -	RESTRICTED TO: -
	4 PLC ±-	CUSTOMER DRAWING	SCALE: 10:1	SHEET: 1 OF 4
	ANGLES: ±-			REV: B2
	FINISH: -			

4

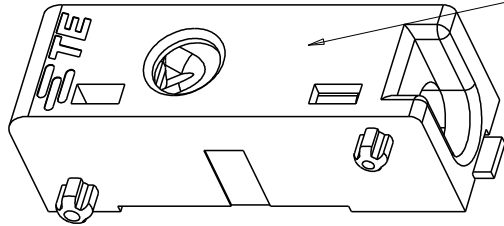
3

2

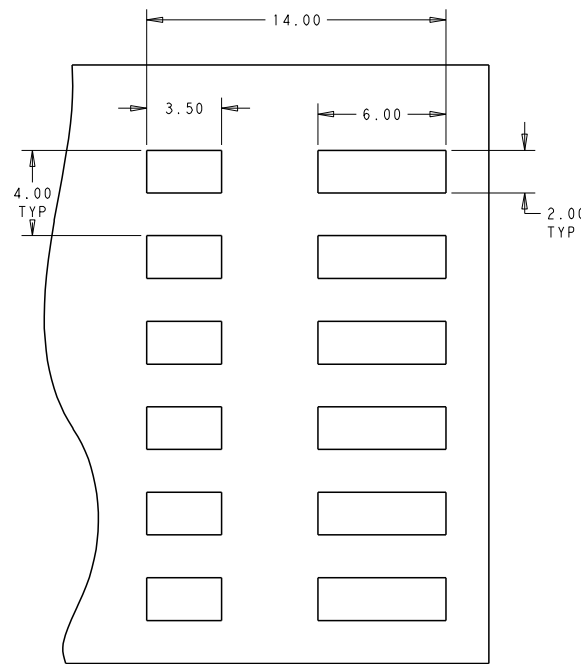
1

THIS DRAWING IS UNPUBLISHED. BY - ALL RIGHTS RESERVED. RELEASED FOR PUBLICATION 20

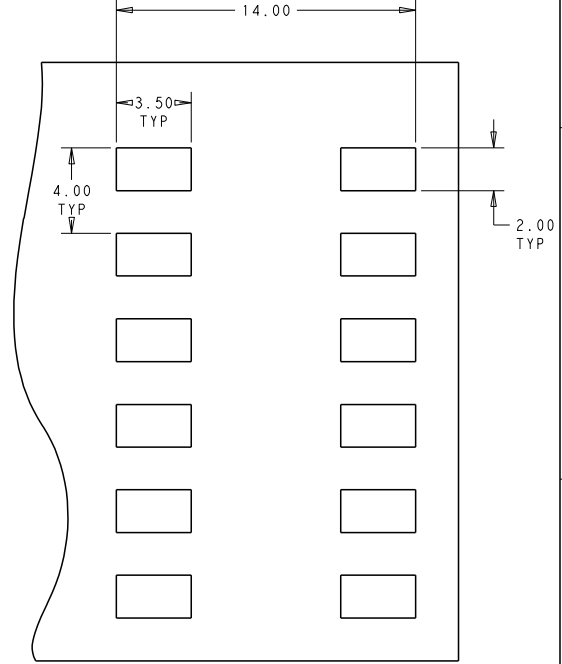
REVISIONS					
P	LYR	DESCRIPTION	DATE	DWN	APVD
-	-	SEE SHEET 1	-	-	-



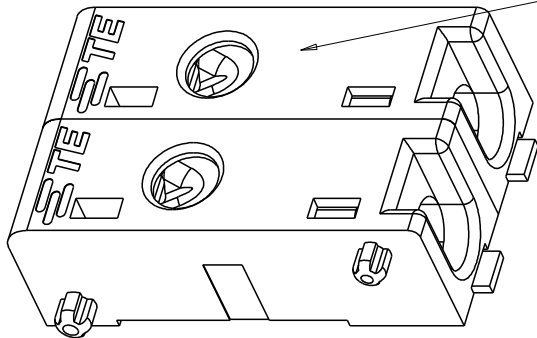
2834006-1  
SCALE 10:1



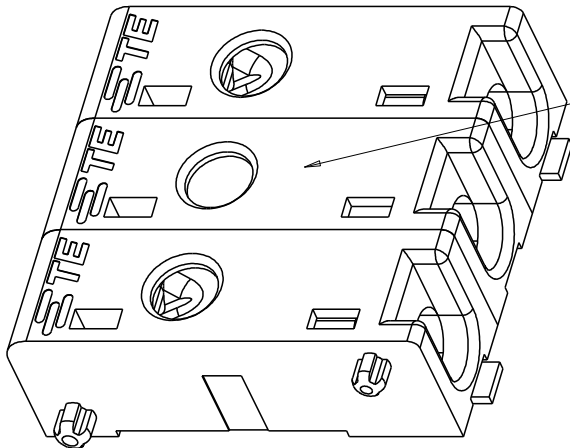
SCALE 6:1  
RECOMMENDED PCB LAYOUT



SCALE 6:1  
OPTIONAL PCB LAYOUT



2834006-2  
SCALE 10:1



1-2834006-2  
SCALE 10:1

THIS DRAWING IS A CONTROLLED DOCUMENT.		DWN: GEORGE FU 25MAY2016	TE Connectivity	
DIMENSIONS: (mm)		CHK: SHI MING 25MAY2016		
TOLERANCES UNLESS OTHERWISE SPECIFIED:		APVD: XU XIANG 25MAY2016	NAME: CONNECTOR ASSEMBLY RELEASABLE POKE-IN	
0 PLC ±		PRODUCT SPEC: 108-137055	RESTRICTED TO: -	
1 PLC ±0.2		APPLICATION SPEC: 114-137055	SIZE: A2	CAGE CODE: -
2 PLC ±0.13		WEIGHT: -	DRAWING NO: ©=2834006	SCALE: 10:1
3 PLC ±		CUSTOMER DRAWING	SHEET: 2 OF 4	REV: B2
4 PLC ±				
ANGLES FINISH				
MATERIAL: SEE SHEET 1				

4

3

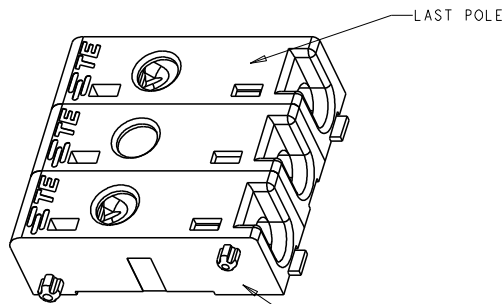
2

1

THIS DRAWING IS UNPUBLISHED. RELEASED FOR PUBLICATION 20  
 © COPYRIGHT 20 BY - ALL RIGHTS RESERVED.

REVISIONS				
P	LYR	DESCRIPTION	DATE	APPD
-	-	SEE SHEET1		

20.00	5 HSG:3 POSN	-	-	-	-	5-2834006-0	6-2834006-0	7-2834006-0	8-2834006-0	-
	COLOR	-	-	-	-	BLACK/BLACK SPACER/RED/RED SPACER/NATURE	NATURE/BLACK SPACER/RED/BLACK SPACER/NATURE	RED/RED SPACER/NATURE/NATURE SPACER/BLACK SPACER/BLACK	NATURE/NATURE SPACER/BLACK SPACER/BLACK	-
20.00	5 Position	2834006-5	2-2834006-5	3-2834006-5	4-2834006-5	5-2834006-5	6-2834006-5	7-2834006-5	8-2834006-5	9-2834006-5
	COLOR	NATURE(ALL)	BLACK(ALL)	RED(ALL)	BRIGHT WHITE(ALL)	BLACK/NATURE/BLACK/NATURE/RED	BLACK/RED/NATURE/BLACK/RED	NATURE/BLACK/RED/NATURE/RED	BLACK/NATURE/RED/BLACK/NATURE	RED/BLACK/NATURE/RED/NATURE
16.00	4 POSITION	2834006-4	2-2834006-4	3-2834006-4	4-2834006-4	5-2834006-4	6-2834006-4	7-2834006-4	8-2834006-4	9-2834006-4
	COLOR	NATURE(ALL)	BLACK(ALL)	RED(ALL)	BRIGHT WHITE(ALL)	BLACK/NATURE/BLACK/NATURE	BLACK/RED/BLACK/RED	NATURE/BLACK/NATURE/RED	NATURE/RED/BLACK/NATURE	BLACK/NATURE/RED/NATURE
12.00	3 HSG; 2 POSN	1-2834006-1	1-2834006-2	1-2834006-3	1-2834006-4	1-2834006-5	1-2834006-6	1-2834006-7	1-2834006-8	1-2834006-9
	COLOR	RED(ALL)	NATURE(ALL)	BLACK(ALL)	BRIGHT WHITE(ALL)	RED/NATURE SPACER/BLACK	BLAC/RED SPACER/NATURE	NATURE/RED SPACER/BLACK	BLACK/NATURE SPACER/RED	RED/BLACK SPACER/NATURE
12.00	3 POSITION	2834006-3	2-2834006-3	3-2834006-3	4-2834006-3	5-2834006-3	6-2834006-3	7-2834006-3	8-2834006-3	9-2834006-3
	COLOR	NATURE(ALL)	BLACK(ALL)	RED(ALL)	BRIGHT WHITE(ALL)	BLACK/NATURE/RED	NATURE/RED/BLACK	RED/BLACK/NATURE	BLACK/RED/NATURE	RED/NATURE/BLACK
8.00	2 POSITION	2834006-2	2-2834006-2	3-2834006-2	4-2834006-2	5-2834006-2	6-2834006-2	7-2834006-2	8-2834006-2	9-2834006-2
	COLOR	NATURE(ALL)	BLACK(ALL)	RED(ALL)	BRIGHT WHITE(ALL)	NATURE/RED	NATURE/BLACK	RED/BLACK	BLACK/NATURE	BLACK/RED
8.00	2 POSITION	1-2834006-0	2-2834006-0	-	-	-	-	-	-	-
	COLOR	GRAY/BLUE	BROWN/YELLOW	-	-	-	-	-	-	-
4.00	1 POSITION	2834006-1	2-2834006-1	3-2834006-1	4-2834006-1	5-2834006-1	-	-	-	-
	COLOR	NATURE(ALL)	BLACK(ALL)	RED(ALL)	BRIGHT WHITE(ALL)	NATURE/PEG CUT	-	-	-	-
DIM A	POSITION No	PART No								



COLOR ARRANGEMENT DESCRIPTION

THIS DRAWING IS A CONTROLLED DOCUMENT.		DWN - GEORGE FU 25MAY2016	TE Connectivity <b>CONNECTOR ASSEMBLY</b> <b>RELEASEABLE POKE-IN</b>															
DIMENSIONS: (mm)		CHK - SHI MING 25MAY2016																
TOLERANCES UNLESS OTHERWISE SPECIFIED:		APPD - XU XIANG 25MAY2016	NAME															
<table border="1"> <tr><td>0 PLC</td><td>±</td></tr> <tr><td>1 PLC</td><td>±0.2</td></tr> <tr><td>2 PLC</td><td>±0.13</td></tr> <tr><td>3 PLC</td><td>±</td></tr> <tr><td>4 PLC</td><td>±</td></tr> <tr><td>ANGLES</td><td>±</td></tr> <tr><td>FINISH</td><td>-</td></tr> </table>		0 PLC	±	1 PLC	±0.2	2 PLC	±0.13	3 PLC	±	4 PLC	±	ANGLES	±	FINISH	-	PRODUCT SPEC	108-137055	
0 PLC	±																	
1 PLC	±0.2																	
2 PLC	±0.13																	
3 PLC	±																	
4 PLC	±																	
ANGLES	±																	
FINISH	-																	
MATERIAL		APPLICATION SPEC	114-137055															
		WEIGHT	A2															
		CUSTOMER DRAWING	SCALE 10:1	SHEET 3 OF 4														
			RESTRICTED TO	REV B2														

4

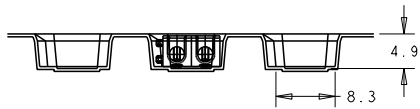
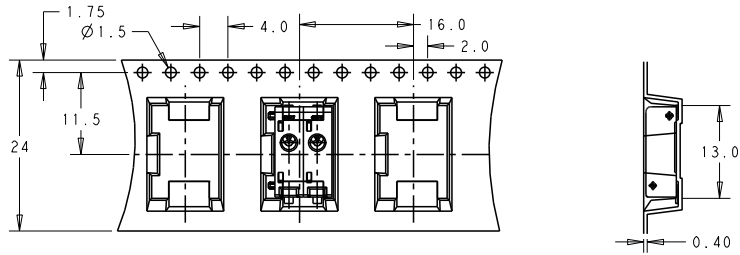
3

2

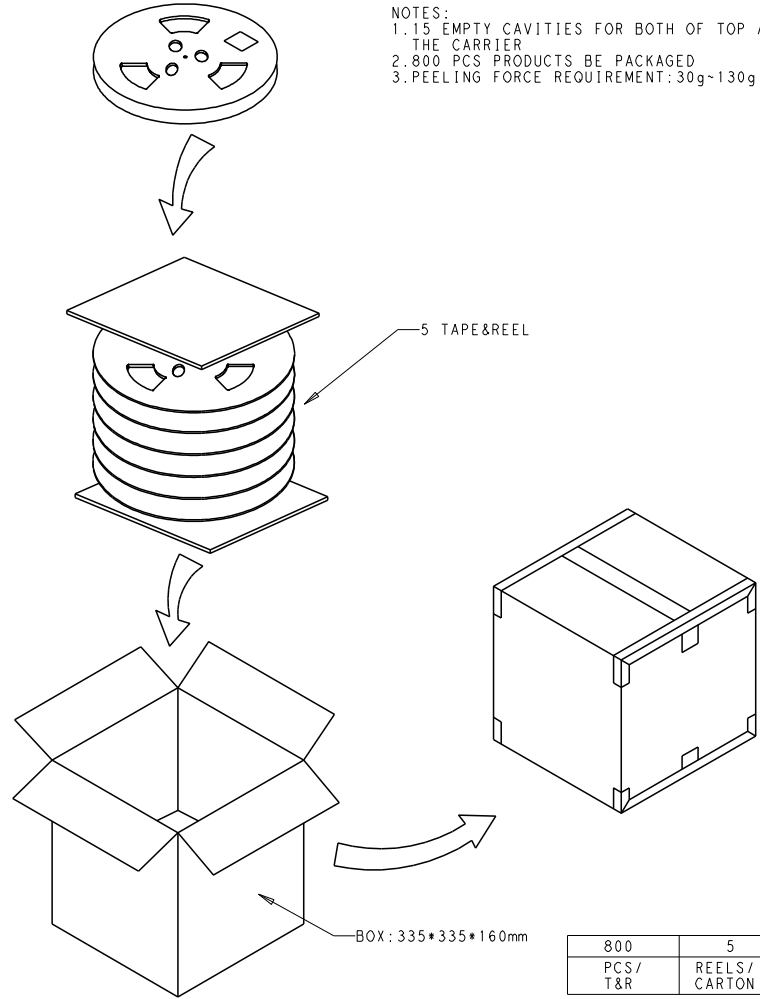
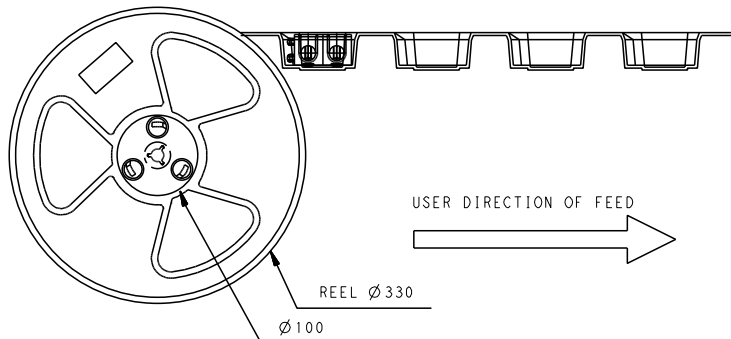
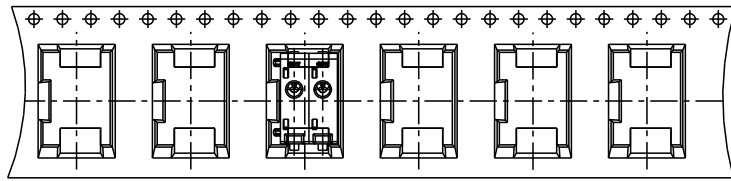
1

THIS DRAWING IS UNPUBLISHED. RELEASED FOR PUBLICATION 20  
© COPYRIGHT 20 BY - ALL RIGHTS RESERVED.

REVISIONS				
P	LYR	DESCRIPTION	DATE	APVD



MATERIALS:  
 1. CARRIER--CLEAR PS  
 2. REEL--PS  
 3. COVER TAPE--PE



NOTES:  
 1. 15 EMPTY CAVITIES FOR BOTH OF TOP AND BOTTOM OF THE CARRIER  
 2. 800 PCS PRODUCTS BE PACKAGED  
 3. PEELING FORCE REQUIREMENT: 30g~130g

800	5	4000
PCS/ T&R	REELS/ CARTON	QUANTITY (PCS)

THIS DRAWING IS A CONTROLLED DOCUMENT.		DWN - GEORGE FU 25MAY2016	TE Connectivity	
DIMENSIONS: (mm)		CHK - SHI MING 25MAY2016		
TOLERANCES UNLESS OTHERWISE SPECIFIED:		APVD - XU XIANG 25MAY2016	NAME	
0 PLC ±-		PRODUCT SPEC	CONNECTOR ASSEMBLY	
1 PLC ±0.2		APPLICATION SPEC	RELEASEABLE POKE-IN	
2 PLC ±0.13		108-137055	-	
3 PLC ±-		114-137055	SIZE	RESTRICTED TO
4 PLC ±-		WEIGHT	A2	-
ANGLES		CUSTOMER DRAWING	SCALE	SHEET
FINISH		10:1	4	4
MATERIAL		REV	B	2