



Chipsmall Limited consists of a professional team with an average of over 10 year of expertise in the distribution of electronic components. Based in Hongkong, we have already established firm and mutual-benefit business relationships with customers from,Europe,America and south Asia,supplying obsolete and hard-to-find components to meet their specific needs.

With the principle of "Quality Parts,Customers Priority,Honest Operation,and Considerate Service",our business mainly focus on the distribution of electronic components. Line cards we deal with include Microchip,ALPS,ROHM,Xilinx,Pulse,ON,Everlight and Freescale. Main products comprise IC,Modules,Potentiometer,IC Socket,Relay,Connector.Our parts cover such applications as commercial,industrial, and automotives areas.

We are looking forward to setting up business relationship with you and hope to provide you with the best service and solution. Let us make a better world for our industry!



Contact us

Tel: +86-755-8981 8866 Fax: +86-755-8427 6832

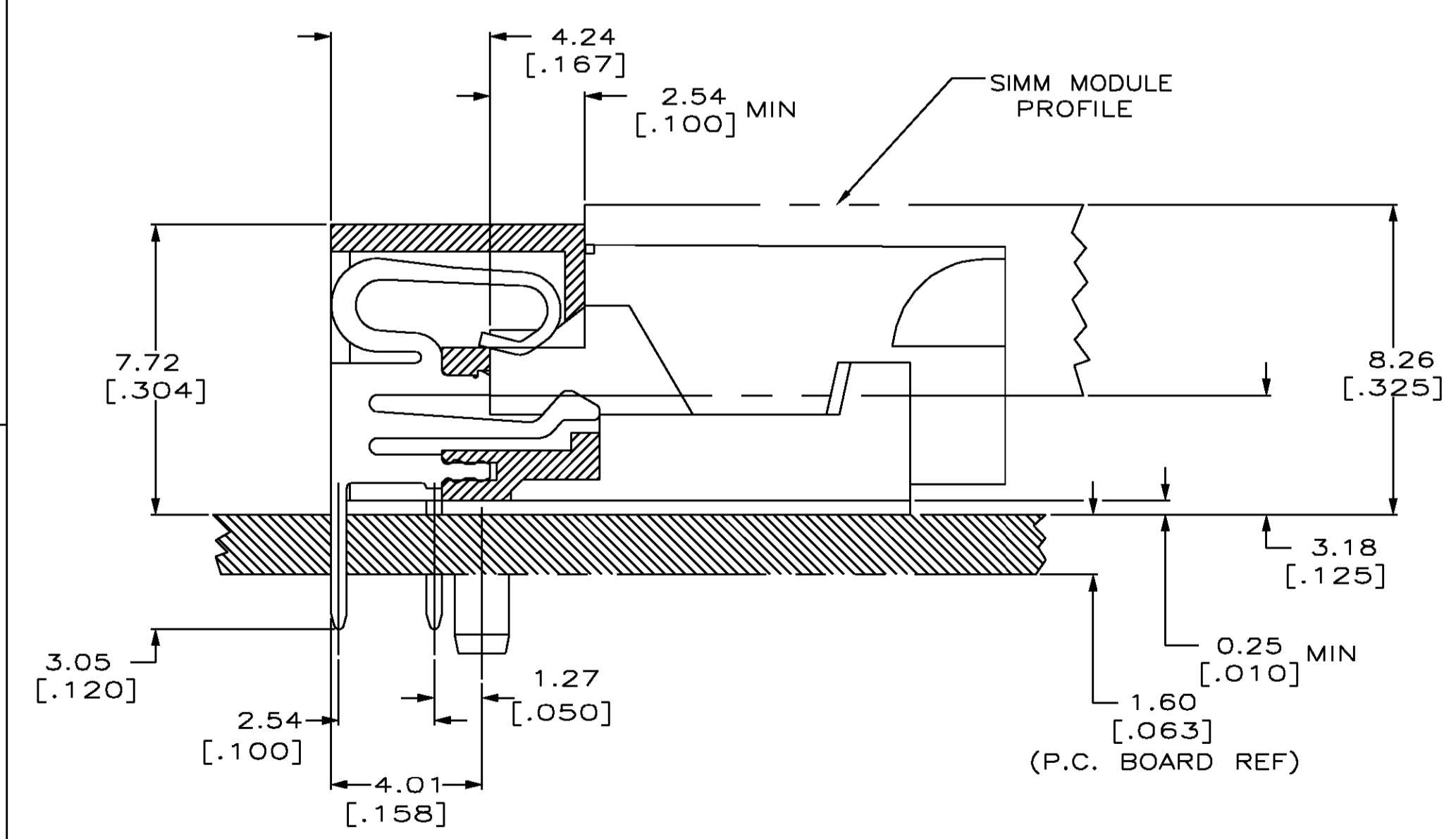
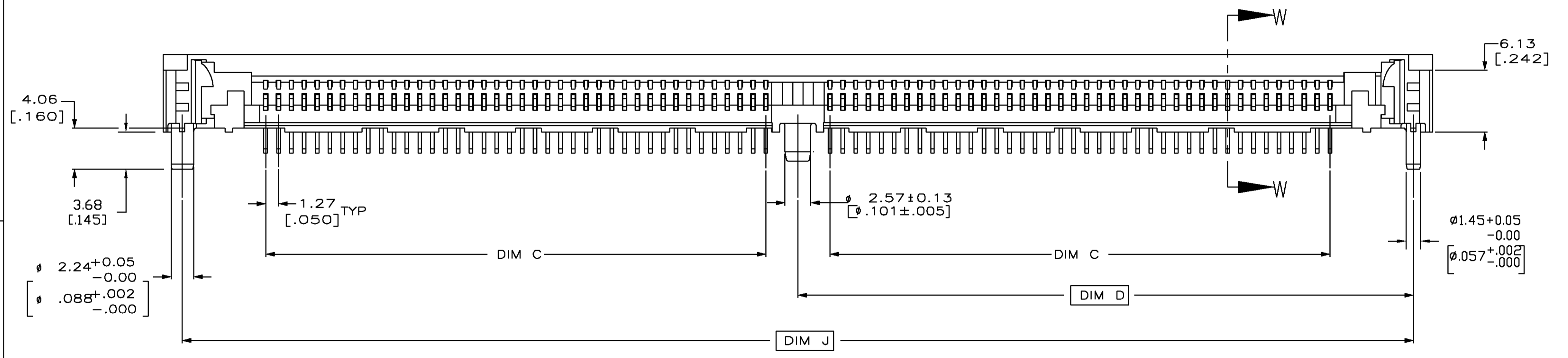
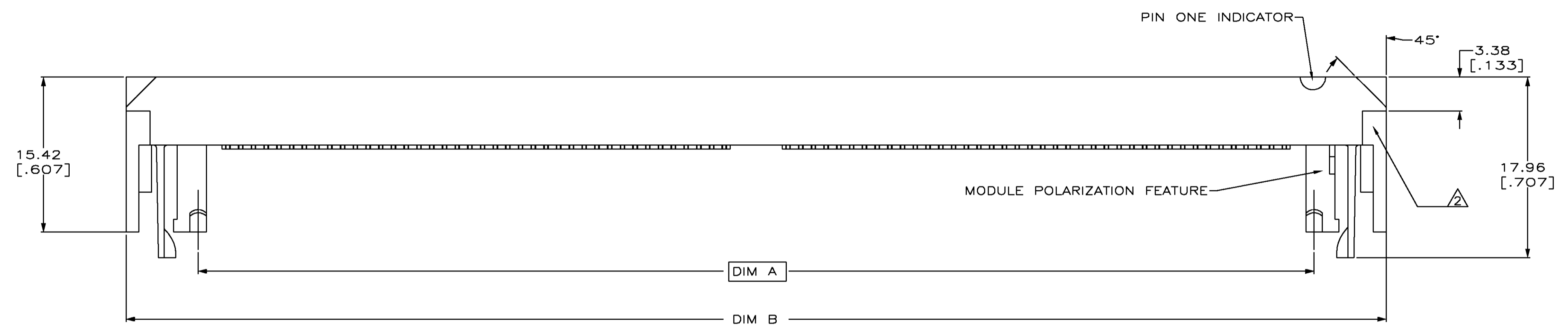
Email & Skype: info@chipsmall.com Web: www.chipsmall.com

Address: A1208, Overseas Decoration Building, #122 Zhenhua RD., Futian, Shenzhen, China



THIS DRAWING IS UNPUBLISHED.
 RELEASED FOR PUBLICATION
 COPYRIGHT BY TYCO ELECTRONICS CORPORATION. ALL RIGHTS RESERVED.

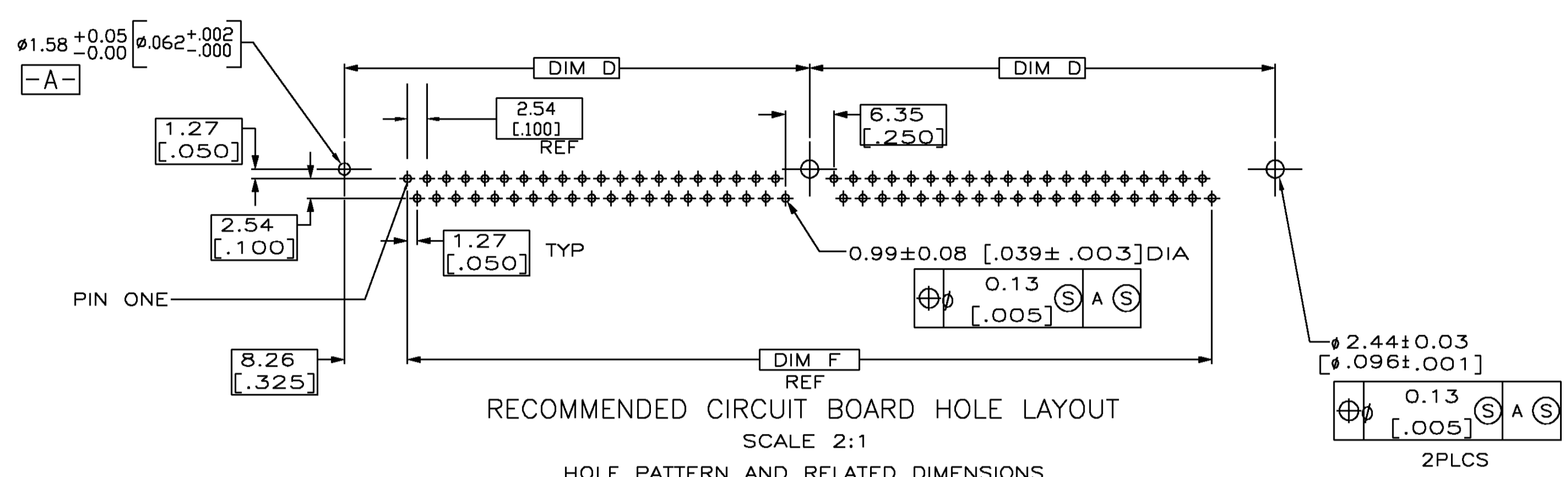
LOC		DIST		REVISONS			
GP	00	#	LR	DESCRIPTION	DATE	DR	APPD
G				REV PER EC 051D-0134-00	27FEB01	MM	JR



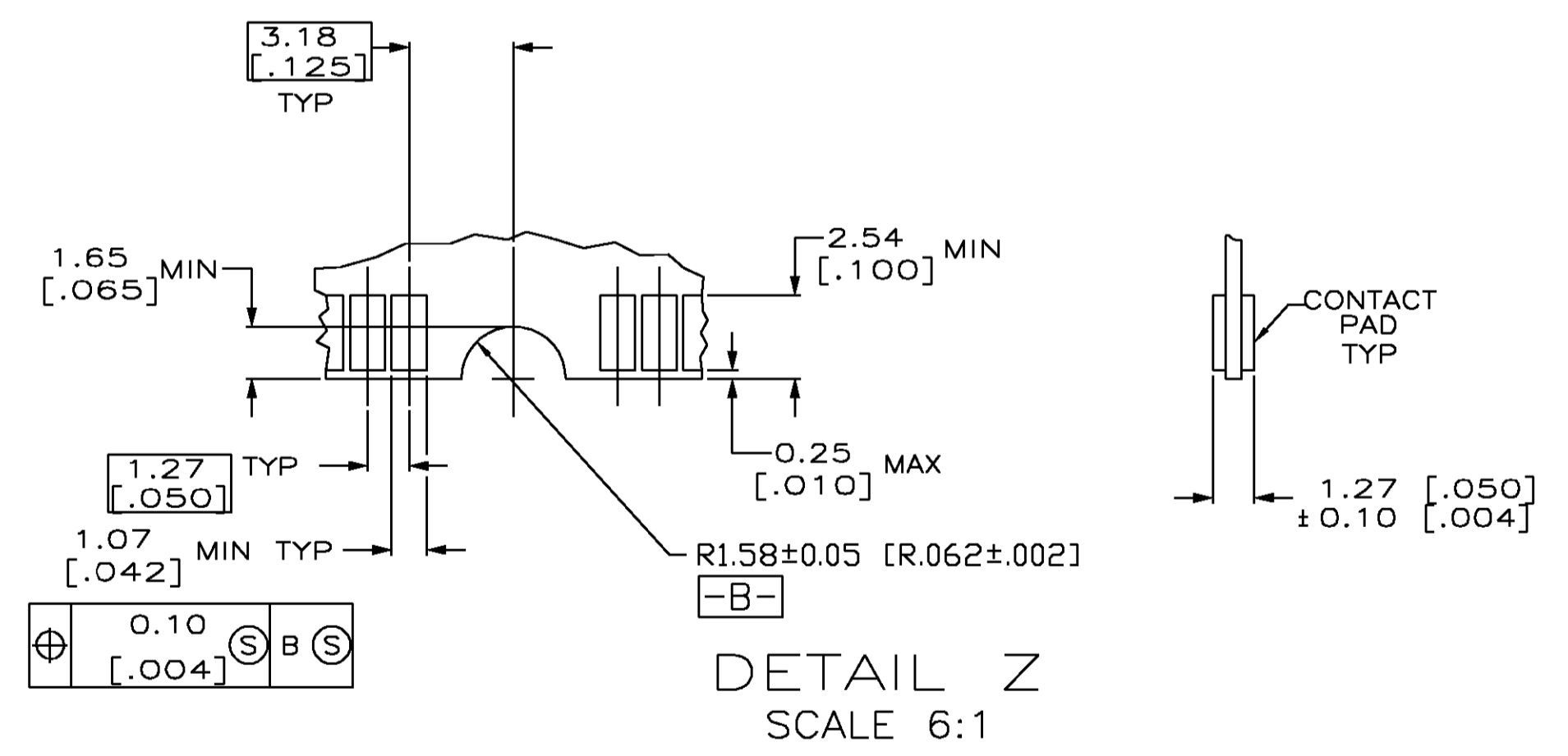
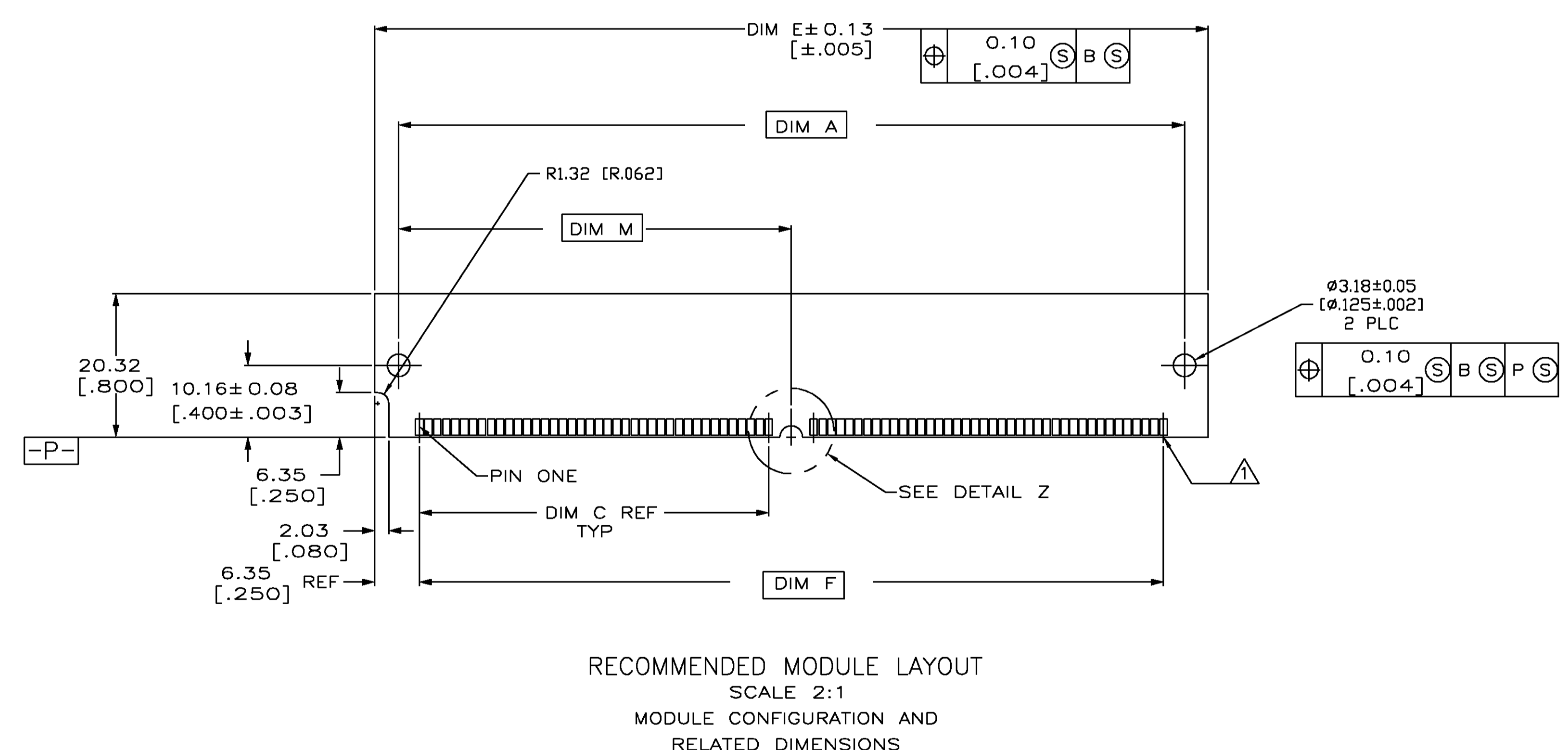
THIS DRAWING IS A CONTROLLED DOCUMENT.		DRW R. TALLEY	7-25-90	AMP Tyco Electronics Corporation mt. joy, pa 17552	
DIMENSIONS:		APVD	NAME	SIMM II, RTANG, 1.27 [0.050] CENTERLINE ASSY. 3.18 [1.25] HGT	
TOLERANCES (UNLESS OTHERWISE SPECIFIED):		PRODUCT SPEC	APPLICATION SPEC	SIZE	CAGE CODE DRAWING NO
0 PLC	±	-	-	A1	00779 382481
1 PLC	±	-	-		
2 PLC	±	-	-		
3 PLC	±	0.13 [0.005]	-		
4 PLC	±	-	-		
MATERIAL HSG: GLASS REINF		FINISH	WEIGHT	SCALE	SHEET
		-	-	4:1	1 of 2
		CUSTOMER DRAWING		REV	G

THIS DRAWING IS UNPUBLISHED. RELEASED FOR PUBLICATION
 © COPYRIGHT BY TYCO ELECTRONICS CORPORATION. ALL RIGHTS RESERVED.

LOC		DIST		REVISIONS			
GP	00	REV	DATE	DESCRIPTION	DATE	BY	APPD
G		1		SEE SHT 1			



- ⚠ FOR OPTIMUM PERFORMANCE, CONTACT PAD PLATING SHOULD BE SMOOTH AND FLAT. COPPER CONTACT PADS ARE TO BE OVERPLATED WITH 0.00127[.00050] MIN THK NICKEL FOLLOWED WITH 0.00101[.000040] MIN THK GOLD PLATING.
- ⚠ FEATURES AT EACH END ALIGN CONNECTOR FOR PROPER PLACEMENT WHEN USING ROBOTIC INSERTION.
- ⚠ CONTACT MATING AREA:
 0.00076 [.000030] MIN THICK GOLD.
 SOLDER TAIL:
 0.00381[.000150] MIN THK TIN-LEAD.
 UNDERPLATE:
 0.00127[.000050] MIN THK NICKEL OVER ENTIRE CONTACT.



OBSOLETE	58.22[2.292]	127.00[5.000]	110.49[4.350]	123.19[4.850]	63.50[2.500]	52.07[2.050]	130.81[5.150]	116.43[4.584]	84	8-382481-4
OBSOLETE	55.68[2.192]	121.92[4.800]	105.41[4.150]	118.11[4.650]	60.96[2.400]	49.53[1.950]	125.73[4.950]	111.35[4.384]	80	8-382481-0
	50.60[1.992]	111.76[4.400]	95.25[3.750]	107.95[4.250]	55.88[2.200]	44.45[1.750]	115.57[4.550]	101.19[3.984]	72	7-382481-2
OBSOLETE	48.06[1.892]	106.68[4.200]	90.17[3.550]	102.87[4.050]	53.34[2.100]	41.91[1.650]	110.49[4.350]	96.11[3.784]	68	6-382481-8
OBSOLETE	30.28[1.192]	71.12[2.800]	54.61[2.150]	67.31[2.650]	35.56[1.400]	24.13[0.950]	74.93[2.950]	60.55[2.384]	40	4-382481-0
	DIM M	DIM J	DIM F	DIM E	DIM D	DIM C	DIM B	DIM A	POSN	

THIS DRAWING IS A CONTROLLED DOCUMENT. DATE: 7-25-90
 CHK: R. TALLEY
 DIMENSIONS: INCHES: 0.001
 TOLERANCES UNLESS OTHERWISE SPECIFIED:
 DIMENSIONS: 0 PLC ±.005, 1 PLC ±.005, 2 PLC ±.005, 3 PLC ±.005, 4 PLC ±.005
 MATERIAL: - FINISH: - WEIGHT: -
 CUSTOMER DRAWING: - SCALE: 4:1 SHEET: 2 OF 2 REV: G

AMP Tyco Electronics Corporation mt. joy, pa 17552
 SIMM II, RTANG, 1.27 [.050] CENTERLINE ASSY 3.18 [1.25] HGT
 SIZE: A1 CAGE CODE: 00779 DRAWING NO: 382481