



Chipsmall Limited consists of a professional team with an average of over 10 year of expertise in the distribution of electronic components. Based in Hongkong, we have already established firm and mutual-benefit business relationships with customers from,Europe,America and south Asia,supplying obsolete and hard-to-find components to meet their specific needs.

With the principle of “Quality Parts,Customers Priority,Honest Operation,and Considerate Service”,our business mainly focus on the distribution of electronic components. Line cards we deal with include Microchip,ALPS,ROHM,Xilinx,Pulse,ON,Everlight and Freescale. Main products comprise IC,Modules,Potentiometer,IC Socket,Relay,Connector.Our parts cover such applications as commercial,industrial, and automotives areas.

We are looking forward to setting up business relationship with you and hope to provide you with the best service and solution. Let us make a better world for our industry!



Contact us

Tel: +86-755-8981 8866 Fax: +86-755-8427 6832

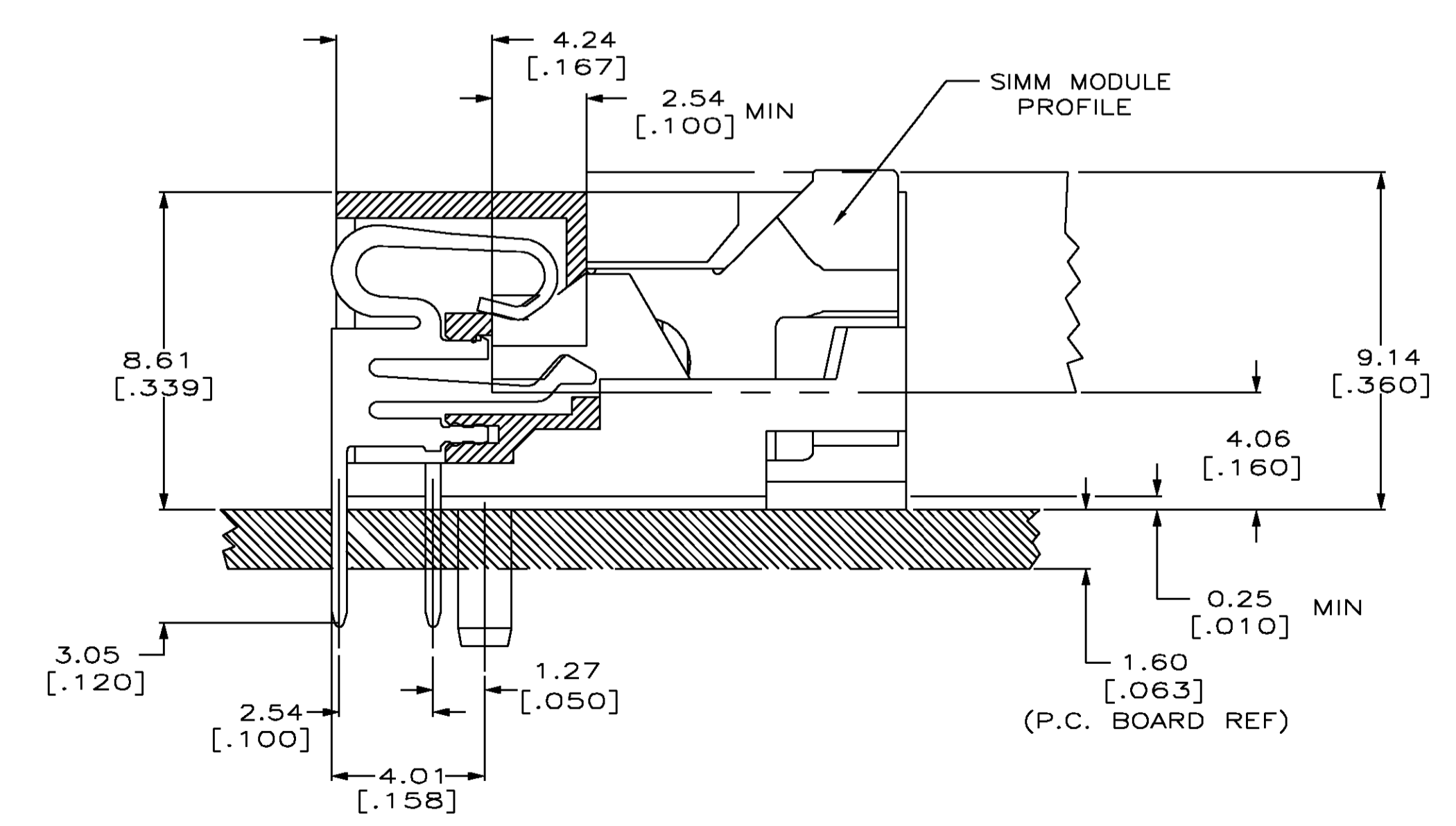
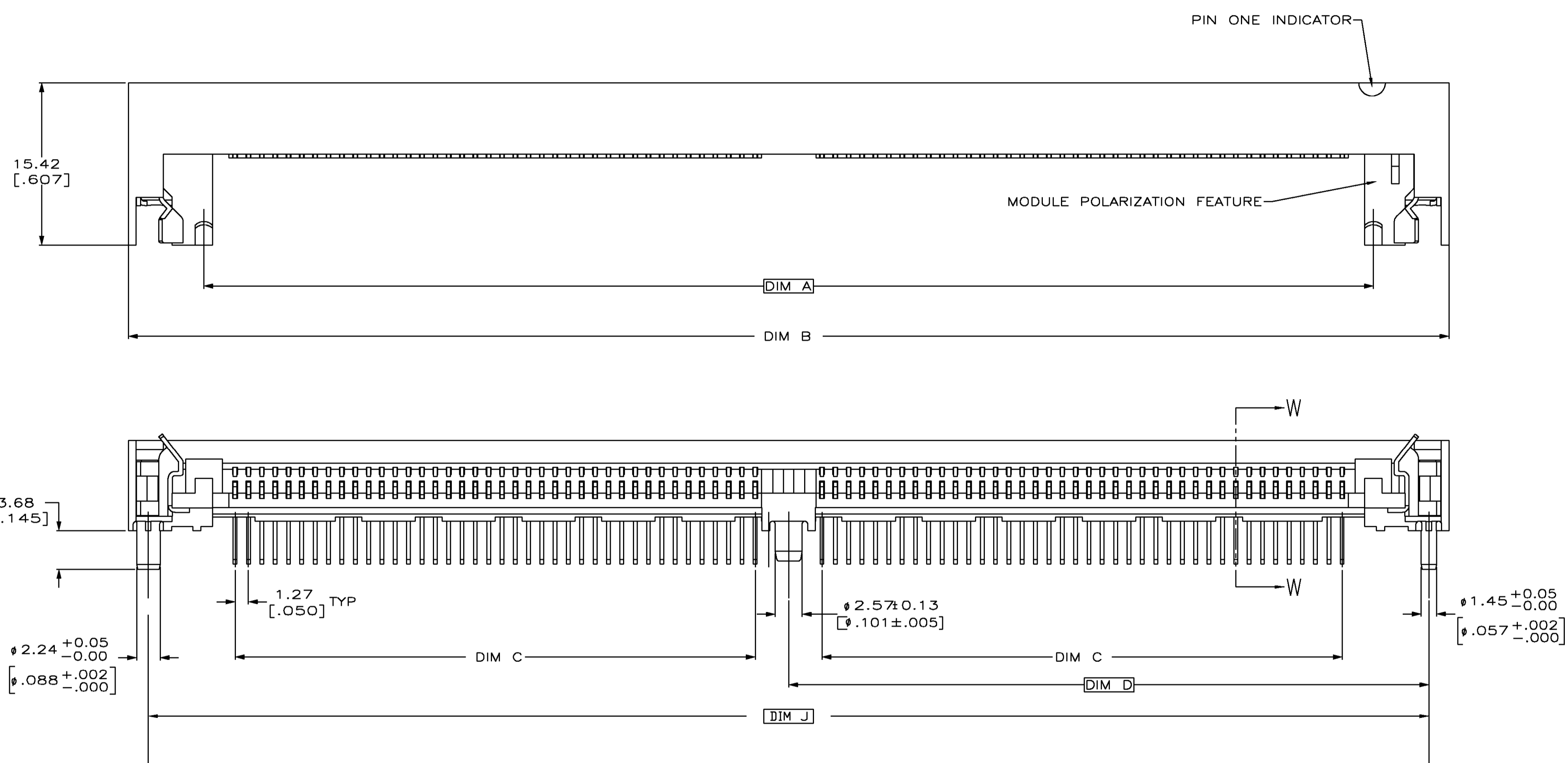
Email & Skype: info@chipsmall.com Web: www.chipsmall.com

Address: A1208, Overseas Decoration Building, #122 Zhenhua RD., Futian, Shenzhen, China



THIS DRAWING IS UNPUBLISHED.
 RELEASED FOR PUBLICATION
 COPYRIGHT BY TYCO ELECTRONICS CORPORATION. ALL RIGHTS RESERVED.

LOC		DIST		REVISIONS			
#	DATE	BY	DESCRIPTION	DATE	BY	APPD	
GP	00	F	PER REV EC 051D-0134-00	27FEB01	MM	JR	

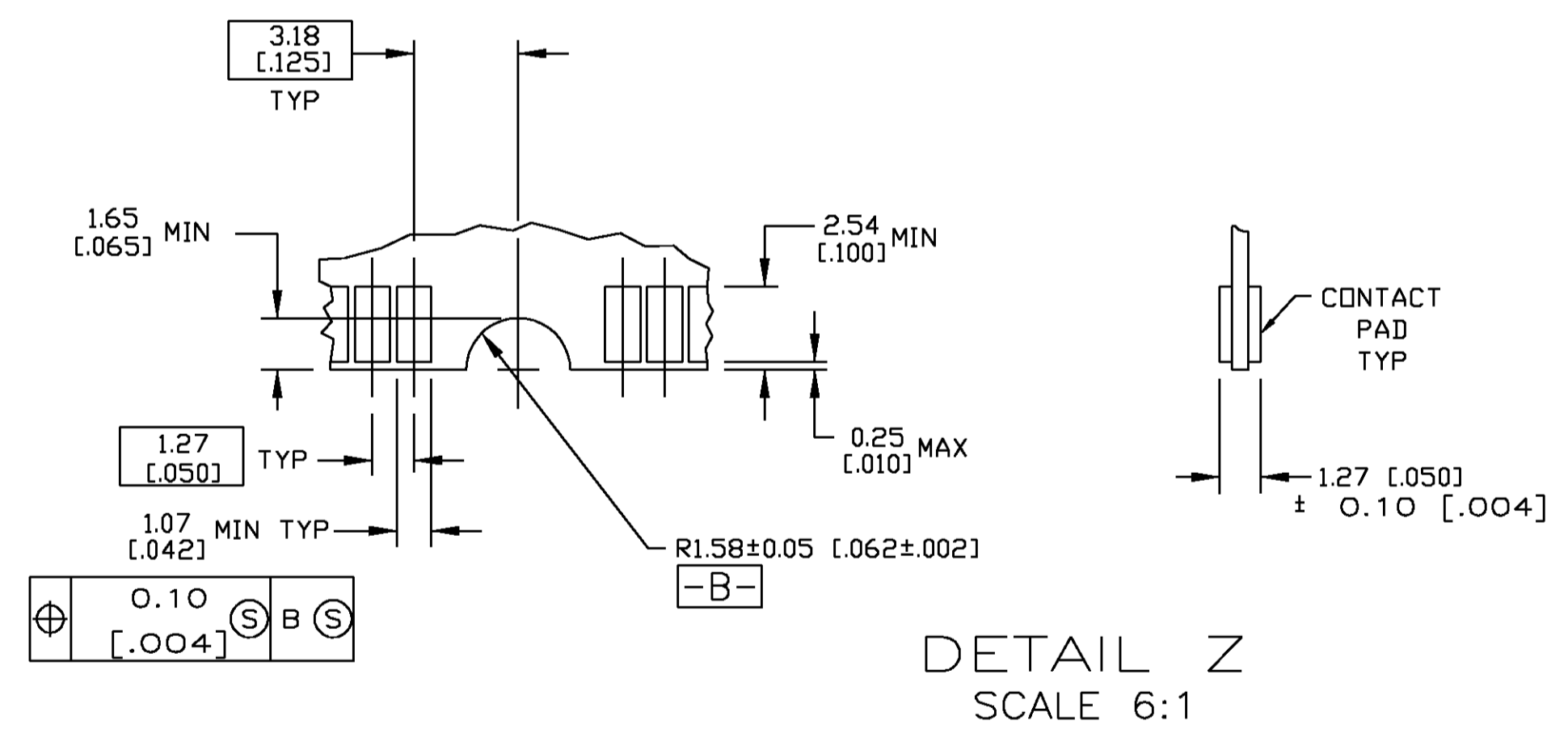
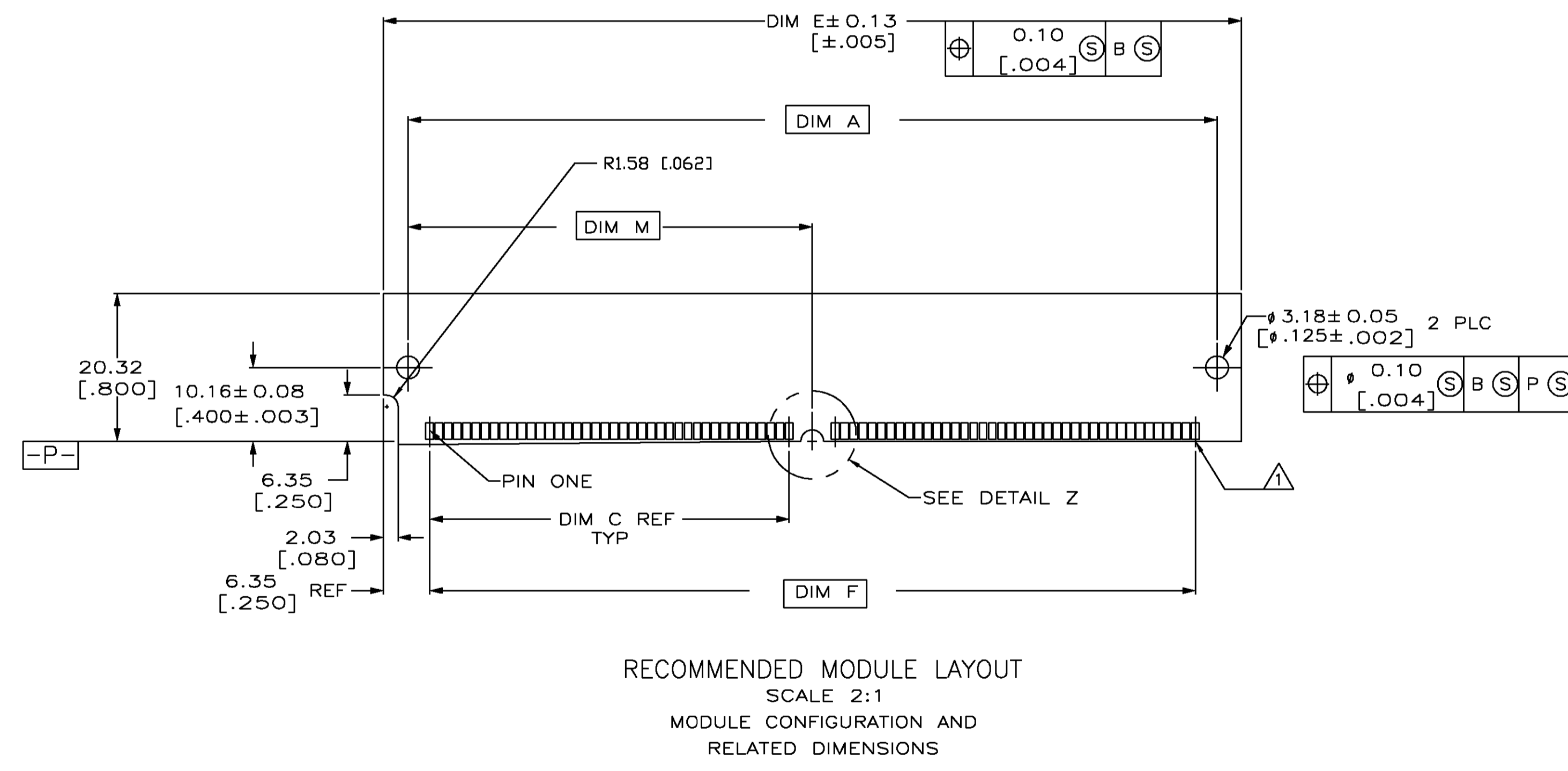
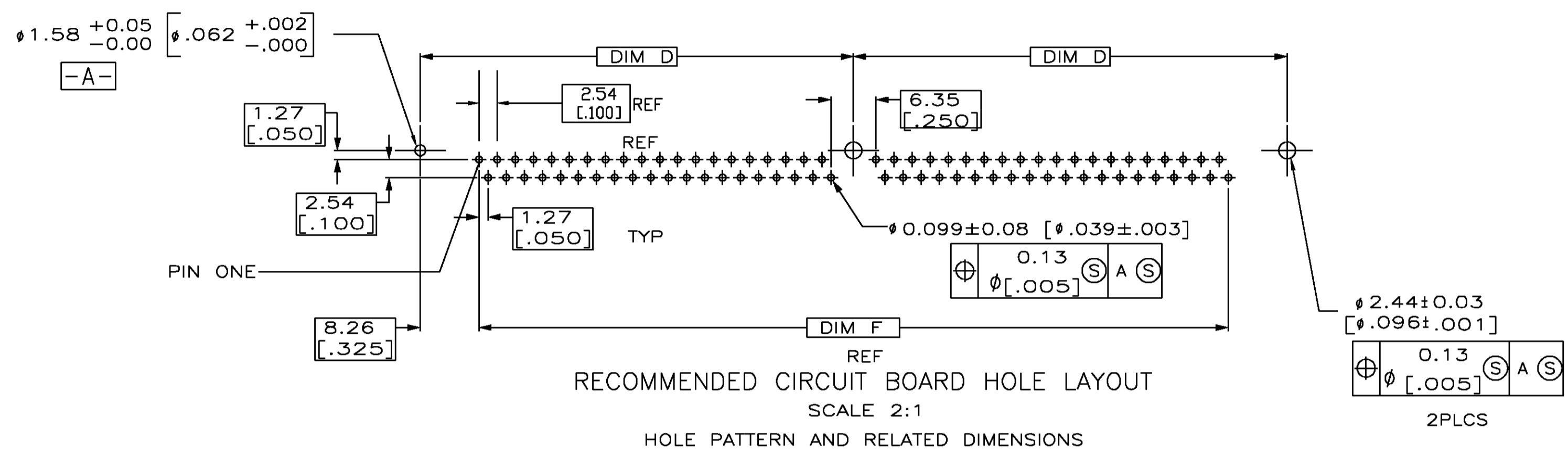


SECTION W-W
 SCALE 8:1

THIS DRAWING IS A CONTROLLED DOCUMENT.		DRW R. TALLEY	7-27-90	AMP Tyco Electronics Corporation mt. Joy, pa 17552	
DIMENSIONS: INCHES		TOLERANCES UNLESS OTHERWISE SPECIFIED:	APVD	NAME	
0 PLC	±			SIMM II RTANG	
1 PLC	±			1.27 [.050] CL ASSY	
2 PLC	±			4.06 [.160] HEIGHT	
3 PLC	±			APPLICATION SPEC	
4 PLC	±			RESTRICTED TO	
ANGLES:	±			SIZE	CAGE CODE
				A1	00779
MATERIAL	FINISH	WEIGHT		DRAWING NO	
H56	CLASS REINF			382483	
CUSTOMER DRAWING			SCALE	SHEET	REV
			4:1	1 OF 2	F

THIS DRAWING IS UNPUBLISHED.
 RELEASED FOR PUBLICATION
 © COPYRIGHT BY TYCO ELECTRONICS CORPORATION. ALL RIGHTS RESERVED.

REVISONS		DATE	BY	APPD
GP	00			
F	SEE SHT 1			



OBSOLETE	58.22[2.292]	127.00[5.000]	110.49[4.350]	123.19[4.850]	63.50[2.500]	52.07[2.050]	130.81[5.150]	116.43[4.584]	84	8-382483-4
OBSOLETE	55.68[2.192]	121.92[4.800]	105.41[4.150]	118.11[4.650]	60.96[2.400]	49.53[1.950]	125.73[4.950]	111.35[4.384]	80	8-382483-0
	50.60[1.992]	111.76[4.400]	95.25[3.750]	107.95[4.250]	55.88[2.200]	44.45[1.750]	115.57[4.550]	101.19[3.984]	72	7-382483-2
OBSOLETE	48.06[1.892]	106.68[4.200]	90.17[3.550]	102.87[4.050]	53.34[2.100]	41.91[1.650]	110.49[4.350]	96.11[3.784]	68	6-382483-8
OBSOLETE	30.28[1.192]	71.12[2.800]	54.61[2.150]	67.31[2.650]	35.56[1.400]	24.13[.950]	74.93[2.950]	60.55[2.384]	40	4-382483-0
	DIM M	DIM J	DIM F	DIM E	DIM D	DIM C	DIM B	DIM A	POSN	

THIS DRAWING IS A CONTROLLED DOCUMENT.

DRW: R. TALLEY 7-27-90
 CHK: -
 NAME: AMP Tyco Electronics Corporation mt. joy, pa 17552

DIMENSIONS: INCHES -
 TOLERANCES UNLESS OTHERWISE SPECIFIED: APVD -
 PRODUCT SPEC: -
 APPLICATION SPEC: -

MATERIAL: - FINISH: - WEIGHT: -

SIZE: A1 CAGE CODE: 00779 DRAWING NO: 382483 RESTRICTED TO: -
 CUSTOMER DRAWING SCALE: 4:1 SHEET: 2 OF 2 REV: F