



Chipsmall Limited consists of a professional team with an average of over 10 year of expertise in the distribution of electronic components. Based in Hongkong, we have already established firm and mutual-benefit business relationships with customers from,Europe,America and south Asia,supplying obsolete and hard-to-find components to meet their specific needs.

With the principle of “Quality Parts,Customers Priority,Honest Operation,and Considerate Service”,our business mainly focus on the distribution of electronic components. Line cards we deal with include Microchip,ALPS,ROHM,Xilinx,Pulse,ON,Everlight and Freescale. Main products comprise IC,Modules,Potentiometer,IC Socket,Relay,Connector.Our parts cover such applications as commercial,industrial, and automotives areas.

We are looking forward to setting up business relationship with you and hope to provide you with the best service and solution. Let us make a better world for our industry!



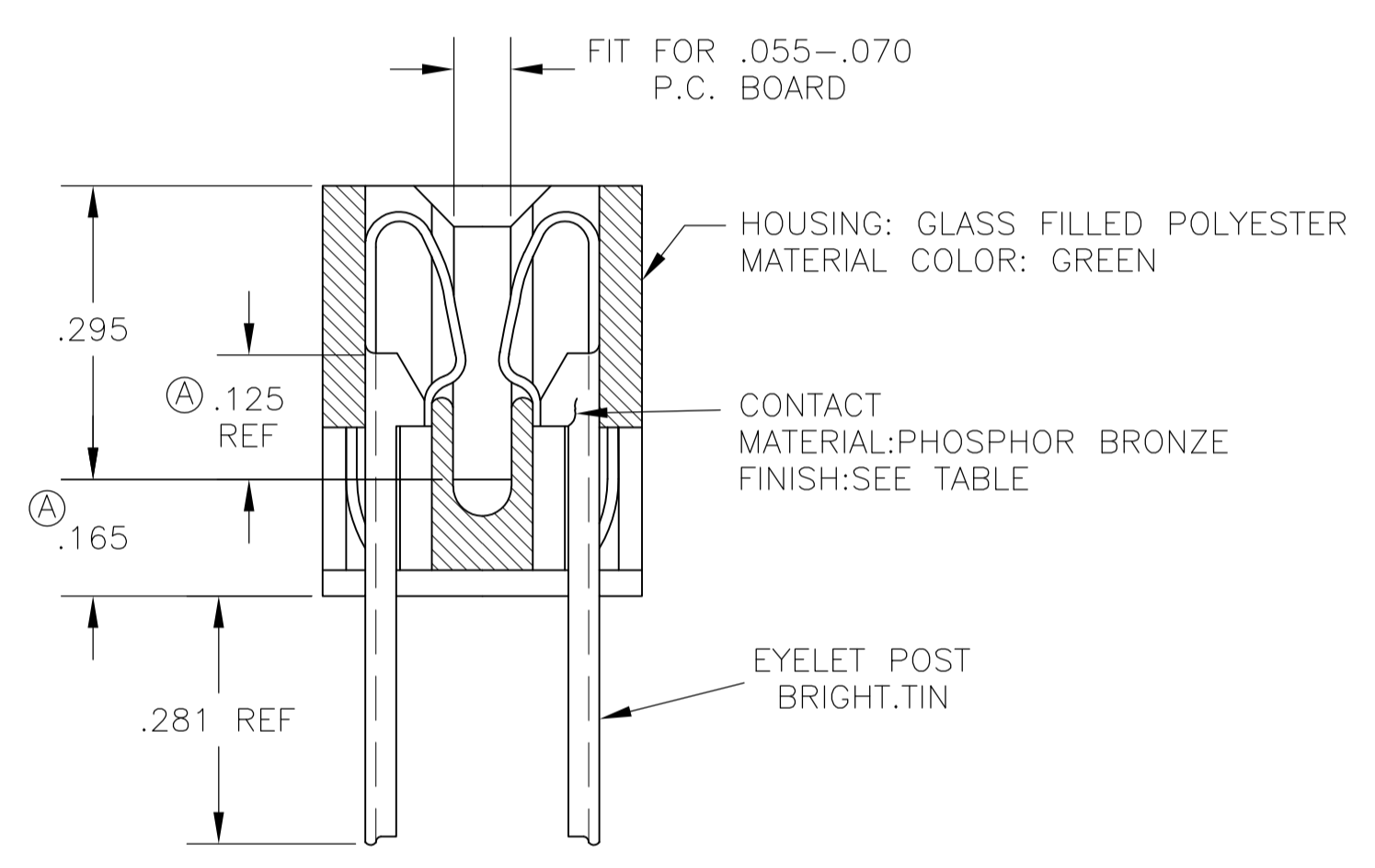
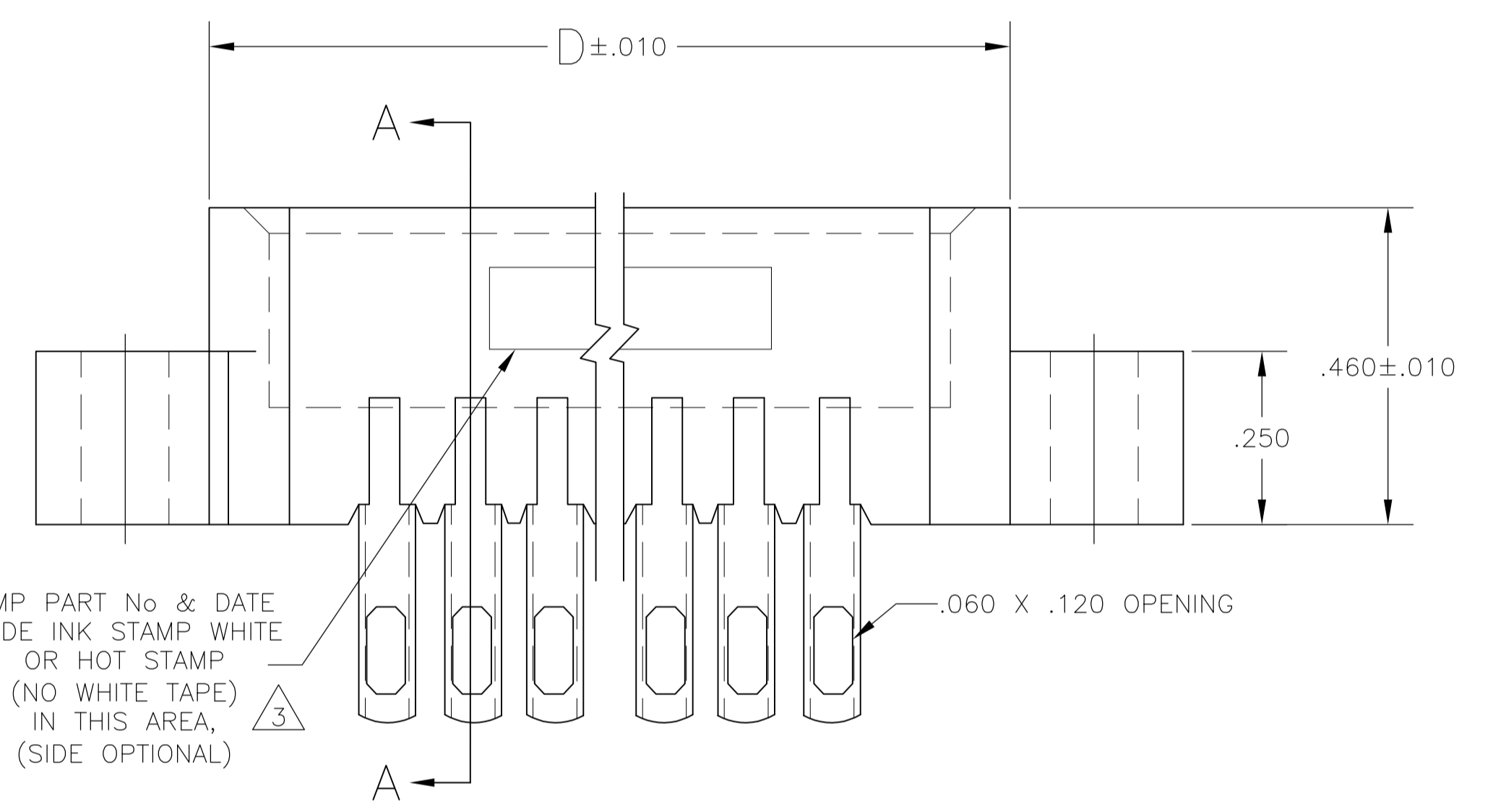
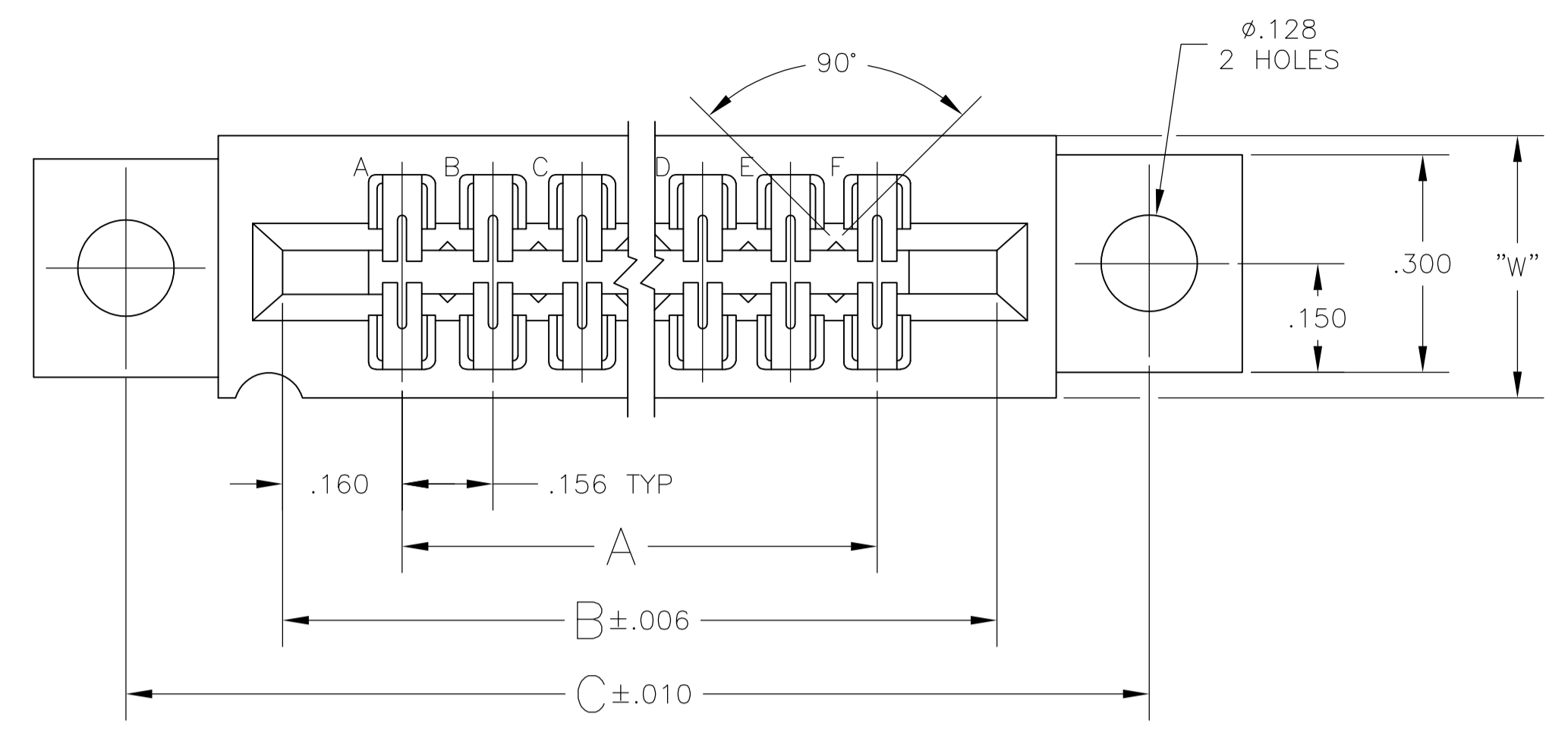
Contact us

Tel: +86-755-8981 8866 Fax: +86-755-8427 6832

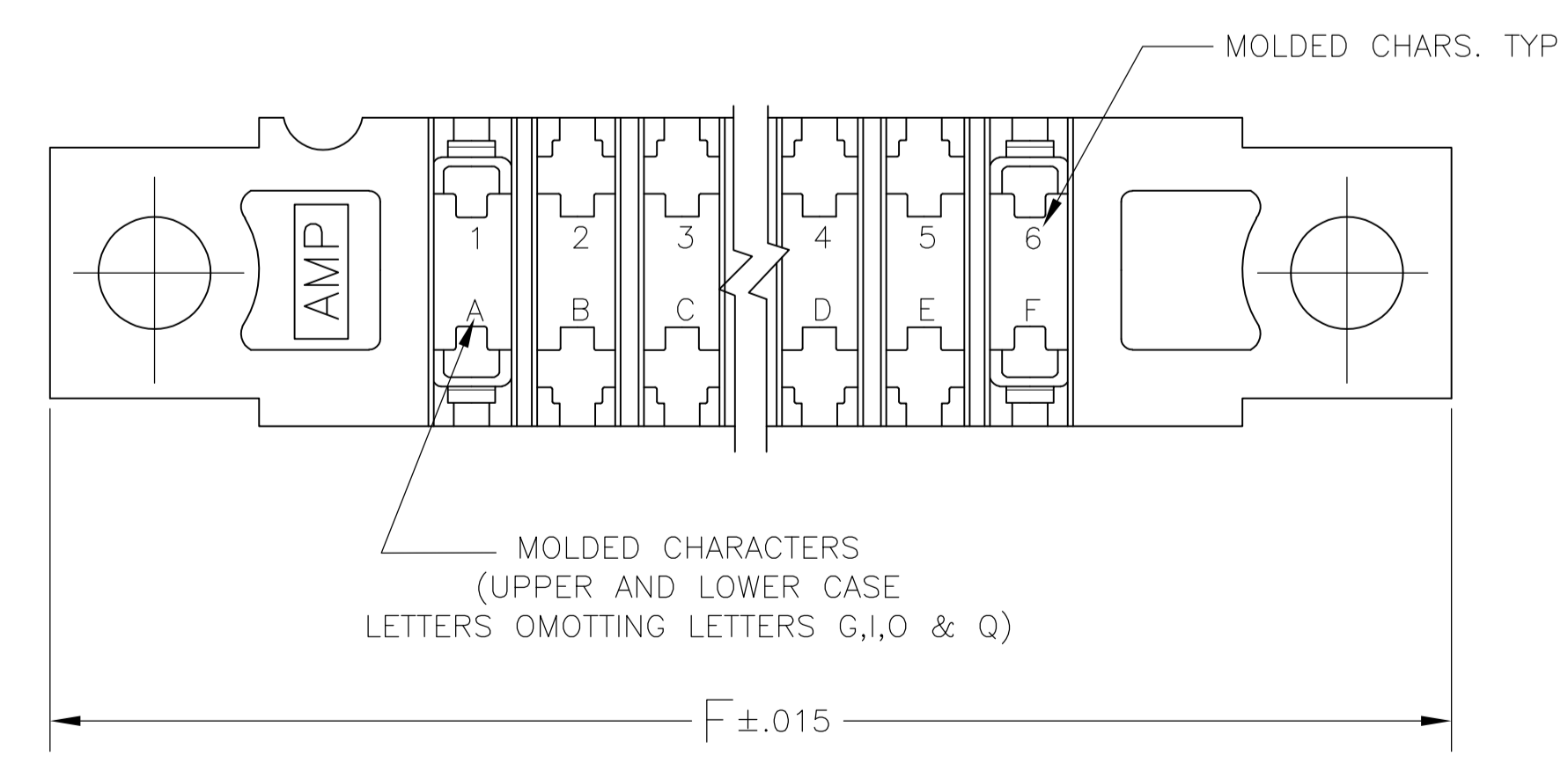
Email & Skype: info@chipsmall.com Web: www.chipsmall.com

Address: A1208, Overseas Decoration Building, #122 Zhenhua RD., Futian, Shenzhen, China





SECTION A-A



- 1 .000015 MIN GOLD OVER .000050 MIN. NICKEL IN CONTACT AREA.
- 2 .00003 MIN GOLD OVER .00005 MIN. NICKEL IN CONTACT AREA.
- 3 ALL PARTS ASSEMBLED IN MEXICO MUST BE STAMPED " ASSY IN MEXICO " THE WORD " MEXICO " CAN BE SUBSTITUTED ONLY WHERE PART SIZE PROHIBITS STAMPING " ASSY IN MEXICO ", INK STAMP COLOR WHITE OR HOT STAMP (NO WHITE TAPE) 115-9009, APPROX WHERE SHOWN SIDE OPTIONAL.
- 4 MATTE TIN PLATED CONTACT TAILS.
- 5 OBSOLETE PARTS: OBSOLETE CIS STREAMLINING PER D.RENAUD/D.SINISI

4	4	OBSOLETE	-	43	6.552	6.872	7.307	7.012	.437	7.557	8-530654-3
4	4	OBSOLETE	-	28	4.212	4.532	4.967	4.672	.370	5.217	8-530654-2
4	4	OBSOLETE	-	36	5.460	5.780	6.215	5.920	.437	6.465	8-530654-0
4	4	OBSOLETE	-	30	4.524	4.844	5.279	4.984	.437	5.529	7-530654-9
4	4	OBSOLETE	-	24	3.588	3.908	4.343	4.048	.370	4.593	7-530654-7
4	4	OBSOLETE	-	22	3.276	3.596	4.031	3.736	.370	4.281	7-530654-6
4	4	OBSOLETE	-	18	2.652	2.972	3.407	3.112	.370	3.657	7-530654-5
4	4	OBSOLETE	-	15	2.184	2.504	2.939	2.644	.370	3.189	7-530654-4
4	4	OBSOLETE	-	10	1.404	1.724	2.159	1.864	.370	2.409	7-530654-2
4	4	OBSOLETE	-	6	.780	1.100	1.535	1.240	.370	1.785	7-530654-1
1	3	530654-3	-	43	6.552	6.872	7.307	7.012	.437	7.557	3-530654-3
1	3	530654-2	-	28	4.212	4.532	4.967	4.672	.370	5.217	3-530654-2
1	3	530654-1	-	44	6.708	7.028	7.463	7.168	.437	7.713	3-530654-1
1	3	530654-0	-	36	5.460	5.780	6.215	5.920	.437	6.465	3-530654-0
1	3	530654-9	-	30	4.524	4.844	5.279	4.984	.437	5.529	2-530654-9
1	3	530654-8	-	25	3.744	4.064	4.499	4.204	.370	4.749	2-530654-8
1	3	530654-7	-	24	3.588	3.908	4.343	4.048	.370	4.593	2-530654-7
1	3	530654-6	-	22	3.276	3.596	4.031	3.736	.370	4.281	2-530654-6
1	3	530654-5	-	18	2.652	2.972	3.407	3.112	.370	3.657	2-530654-5
1	3	530654-4	-	15	2.184	2.504	2.939	2.644	.370	3.189	2-530654-4
1	3	530654-3	-	12	1.716	2.036	2.471	2.176	.370	2.721	2-530654-3
1	3	530654-2	-	10	1.404	1.724	2.159	1.864	.370	2.409	2-530654-2
1	3	530654-1	-	6	.780	1.100	1.535	1.240	.370	1.785	2-530654-1

OBSOLETE

1 PART NO	NO. OF. POSITION	A	B	C	D	W	F	2 PART NO
-----------	------------------	---	---	---	---	---	---	-----------

THIS DRAWING IS A CONTROLLED DOCUMENT.

DIMENSIONS: INCHES

TOLERANCES UNLESS OTHERWISE SPECIFIED:

0. PLC	± .005
1. PLC	± .005
2. PLC	± .005
3. PLC	± .005
4. PLC	± .005
ANGLES	± .005

MATERIAL: SEE CALL-OUT

FINISH: SEE NOTES

WEIGHT: --

CUSTOMER DRAWING

DWN: 19MAR75

CHK: 01NOV80

APVD: 01NOV80

NAME: HOUSING ASSY, LOW PROFILE EDGE CONNECTOR, WITH SOLDER EYELET

PRODUCT SPEC: --

APPLICATION SPEC: --

SIZE: A1

CAGE CODE: 00779

DRAWING NO: 530654

RESTRICTED TO: --

SCALE: 4:1

SHEET: 1 of 1

REV: N2