



Chipsmall Limited consists of a professional team with an average of over 10 year of expertise in the distribution of electronic components. Based in Hongkong, we have already established firm and mutual-benefit business relationships with customers from,Europe,America and south Asia,supplying obsolete and hard-to-find components to meet their specific needs.

With the principle of “Quality Parts,Customers Priority,Honest Operation,and Considerate Service”,our business mainly focus on the distribution of electronic components. Line cards we deal with include Microchip,ALPS,ROHM,Xilinx,Pulse,ON,Everlight and Freescale. Main products comprise IC,Modules,Potentiometer,IC Socket,Relay,Connector.Our parts cover such applications as commercial,industrial, and automotives areas.

We are looking forward to setting up business relationship with you and hope to provide you with the best service and solution. Let us make a better world for our industry!



Contact us

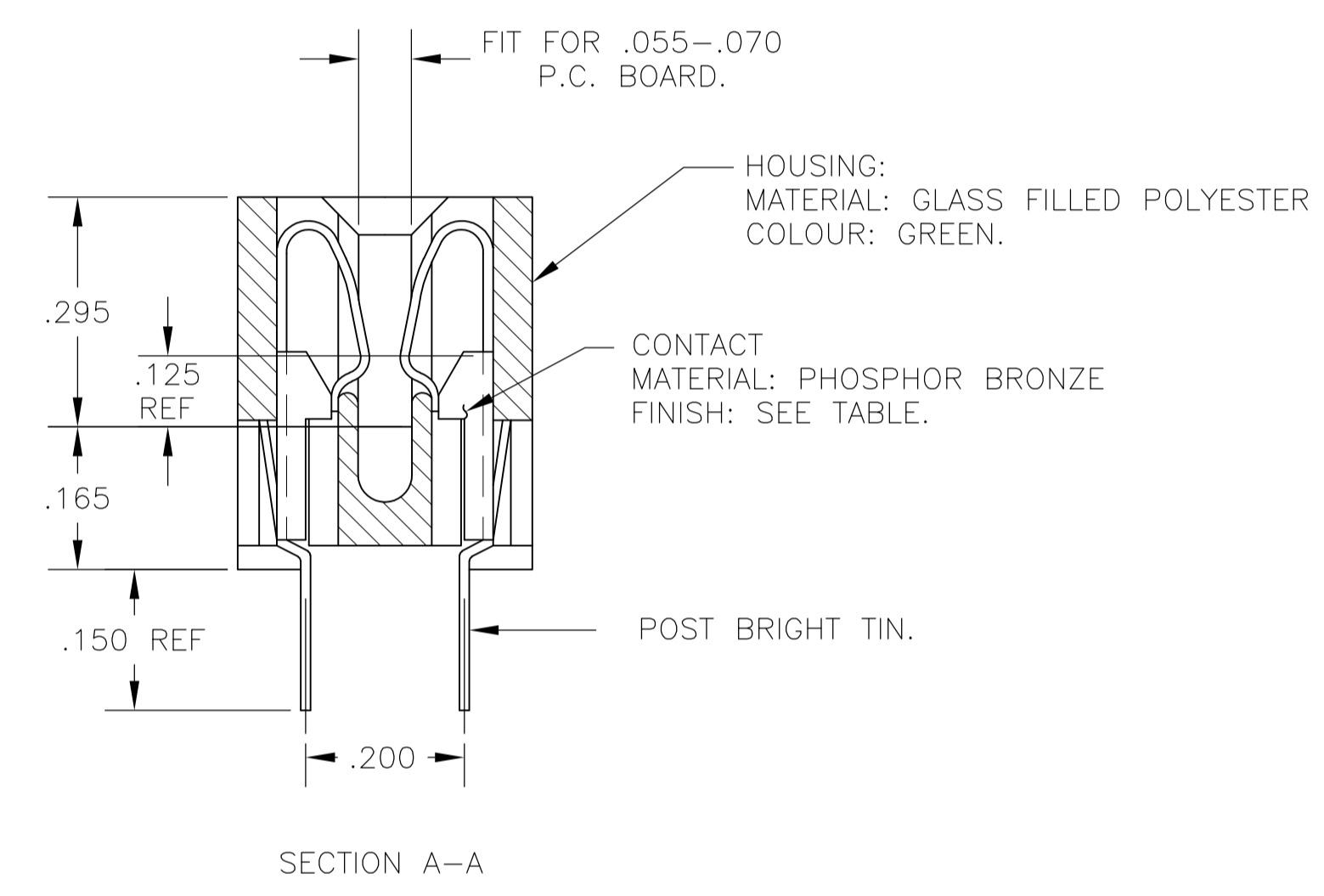
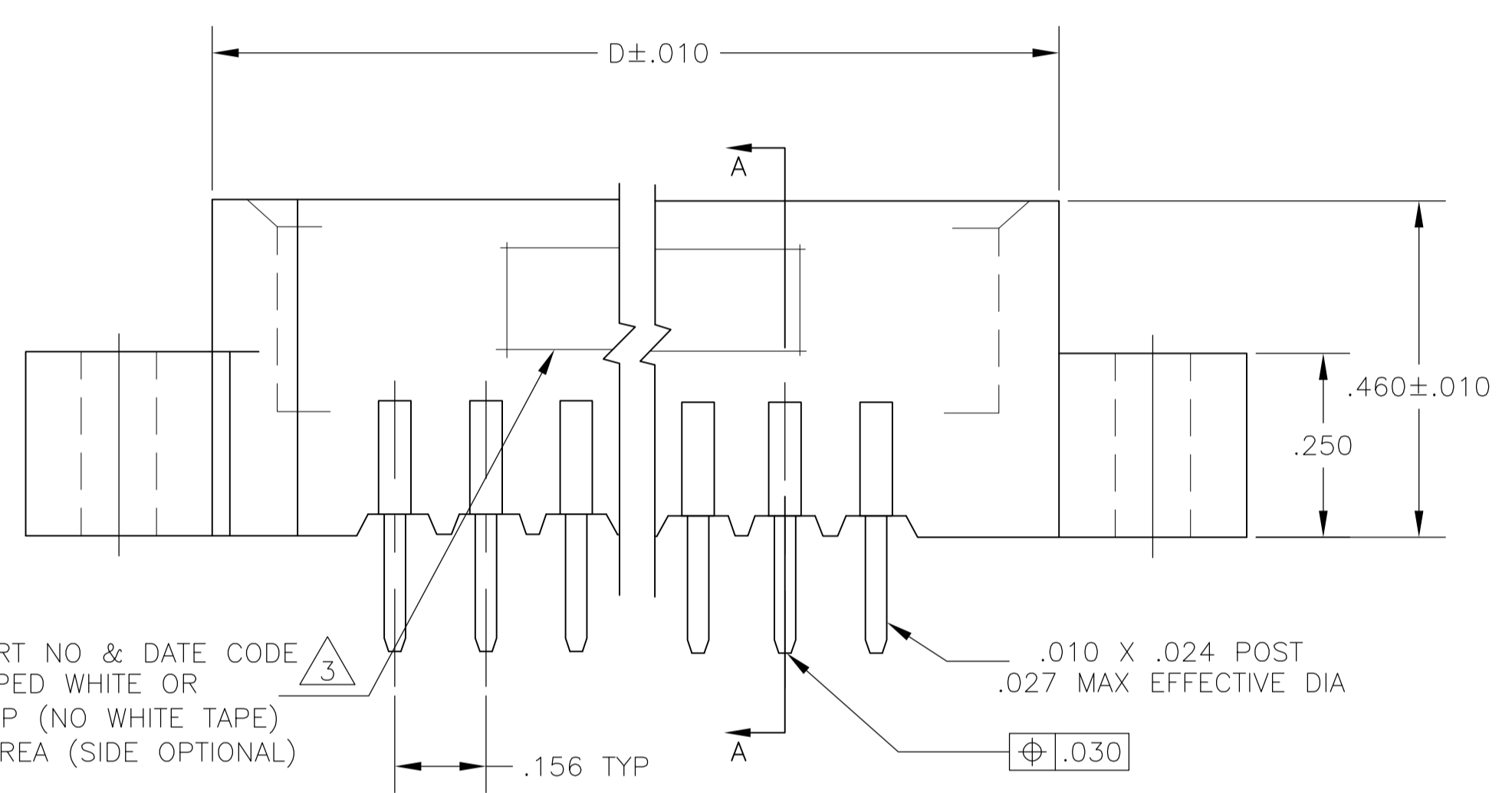
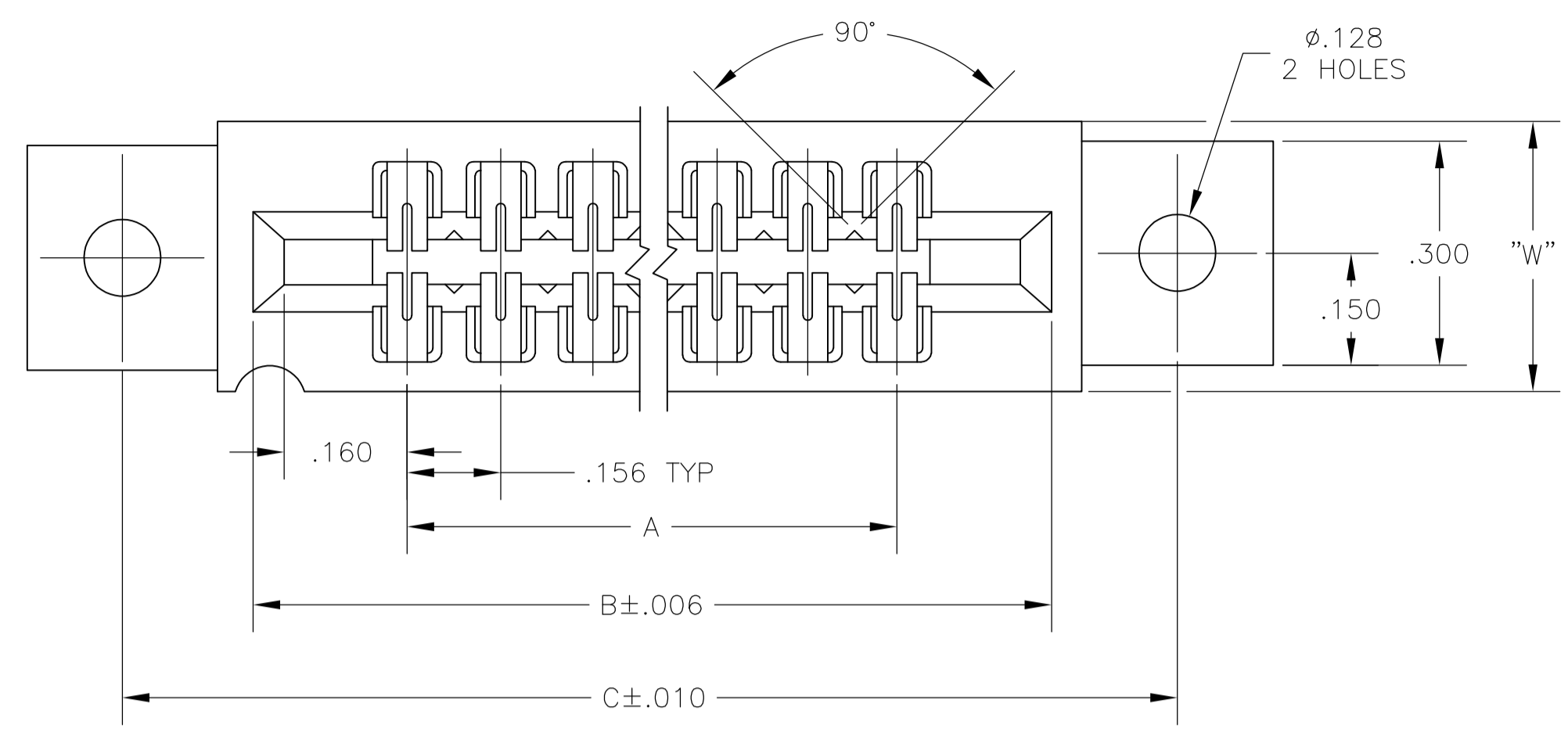
Tel: +86-755-8981 8866 Fax: +86-755-8427 6832

Email & Skype: info@chipsmall.com Web: www.chipsmall.com

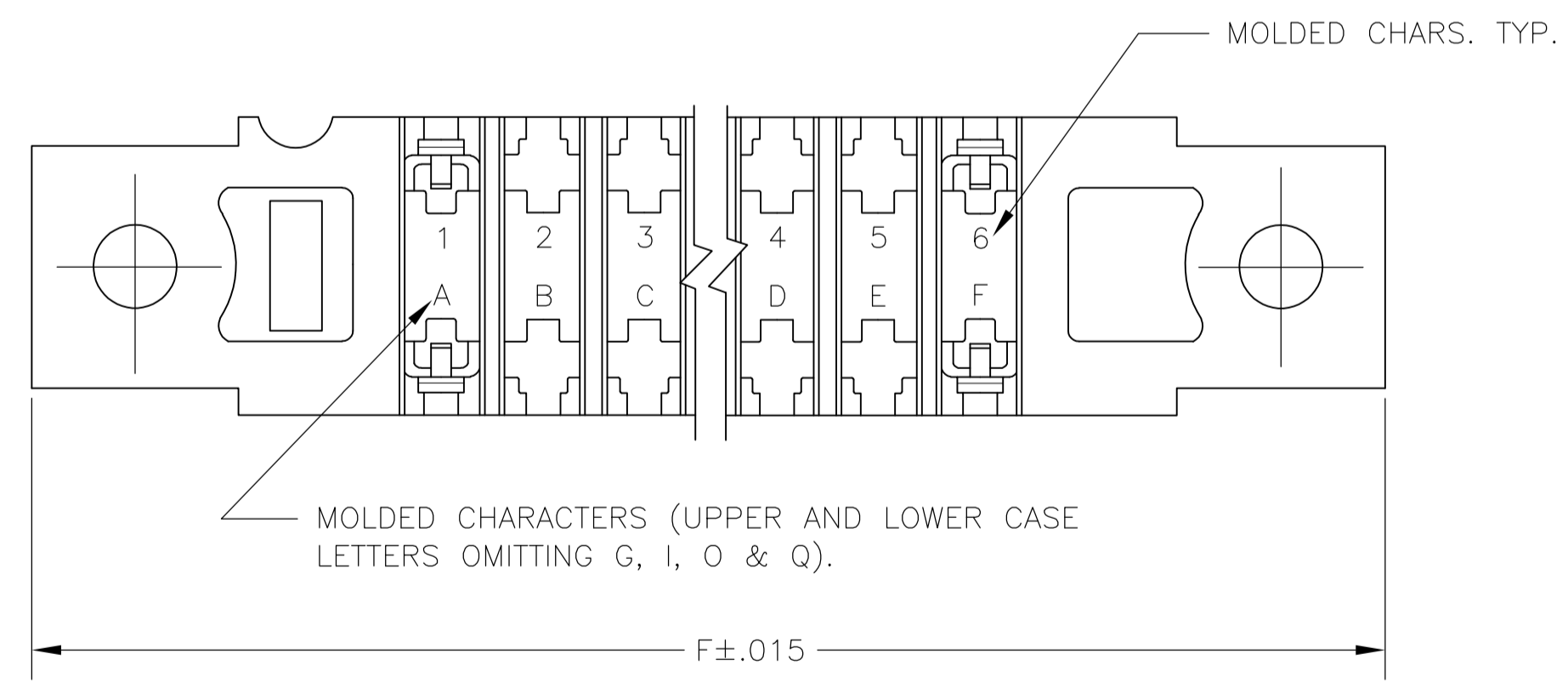
Address: A1208, Overseas Decoration Building, #122 Zhenhua RD., Futian, Shenzhen, China



LOC		DIST		REVISIONS			
AD	00	P	LTR	DESCRIPTION	DATE	DMN	APVD
		L		ECO-07-012860	24JUL2007	RB	MM
		L1		REV PER ECO-09-021510	11AUG09	KK	AEG



- 1 .000015 MIN GOLD OVER .000050 MIN. NICKEL IN CONTACT AREA.
- 2 .000030 MIN GOLD OVER .000050 MIN. NICKEL IN CONTACT AREA.
- 3 ALL PARTS ASSEMBLED IN MEXICO MUST BE STAMPED " ASSY IN MEXICO " THE WORD " MEXICO " CAN BE SUBSTITUTED ONLY WHERE PART SIZE PROHIBITS STAMPING " ASSY IN MEXICO ", INK STAMP COLOR WHITE OR HOT STAMP (NO WHITE TAPE) 115-9009, APPROX WHERE SHOWN SIDE OPTIONAL.
- 4 MATTE TIN PLATED CONTACT TAILS.
- 5 OBSOLETE PARTS: OBSOLETE CIS STREAMLINING PER D.RENAUD/D.SINISI



4	.437	5	8-530689-0	36	5.460	5.780	6.215	5.920	6.465	-
4	.437	5	7-530689-9	30	4.524	4.844	5.279	4.984	5.529	-
4	.370	7	530689-6	22	3.276	3.596	4.031	3.736	4.281	-
4	.370	5	7-530689-4	15	2.184	2.504	2.939	2.644	3.189	-
4	.370	5	7-530689-1	6	.780	1.100	1.535	1.240	1.785	-
	.437	3	530689-3	43	6.552	6.872	7.307	7.012	7.557	1-530689-3
	.370	3	530689-2	28	4.212	4.532	4.967	4.672	5.217	1-530689-2
	.437	3	530689-1	44	6.708	7.028	7.463	7.168	7.713	1-530689-1
	.437	3	530689-0	36	5.460	5.780	6.215	5.920	6.465	1-530689-0
	.437	5	2-530689-9	30	4.524	4.844	5.279	4.984	5.529	530689-9
	.370	2	530689-8	25	3.744	4.064	4.499	4.204	4.749	530689-8
	.370	2	530689-7	24	3.588	3.908	4.343	4.048	4.593	530689-7
	.370	2	530689-6	22	3.276	3.596	4.031	3.736	4.281	530689-6
	.370	2	530689-5	18	2.652	2.972	3.407	3.112	3.657	530689-5
	.370	5	2-530689-4	15	2.184	2.504	2.939	2.644	3.189	530689-4
	.370	2	530689-3	12	1.716	2.036	2.471	2.176	2.721	530689-3
	.370	2	530689-2	10	1.404	1.724	2.159	1.864	2.409	530689-2
	.370	2	530689-1	6	.780	1.100	1.535	1.240	1.785	530689-1
W	2	PART NO	NO.OF. POSITION	A	B	C	D	E	1	PART NO

OBSOLETE

THIS DRAWING IS A CONTROLLED DOCUMENT.

TOLERANCES UNLESS OTHERWISE SPECIFIED:

0 PLC	± .005
1 PLC	± .005
2 PLC	± .005
3 PLC	± .005
4 PLC	± .005
ANGLES	± .005

MATERIAL: SEE CALL-OUT. FINISH: SEE CALL-OUT.

THIS DRAWING IS A CONTROLLED DOCUMENT. DIN 155EP75. CHK 155EP75. APVD 16SEP75. NAME: Tyco Electronics Corporation, Harrisburg, Pa 17105-3608.

PRODUCT SPEC: HOUSING ASSY, LOW PROFILE, EDGE CONNECTOR, FLOW SOLDER, FOR .040 DIA. HOLE, .200 ROW, 156 CENTERS.

APPLICATION SPEC: SIZE A1, CAGE CODE 00779, DRAWING NO. 530689, WEIGHT --, SCALE 4:1, SHEET 1 OF 1, REV L1.