



Chipsmall Limited consists of a professional team with an average of over 10 year of expertise in the distribution of electronic components. Based in Hongkong, we have already established firm and mutual-benefit business relationships with customers from,Europe,America and south Asia,supplying obsolete and hard-to-find components to meet their specific needs.

With the principle of "Quality Parts,Customers Priority,Honest Operation,and Considerate Service",our business mainly focus on the distribution of electronic components. Line cards we deal with include Microchip,ALPS,ROHM,Xilinx,Pulse,ON,Everlight and Freescale. Main products comprise IC,Modules,Potentiometer,IC Socket,Relay,Connector.Our parts cover such applications as commercial,industrial, and automotives areas.

We are looking forward to setting up business relationship with you and hope to provide you with the best service and solution. Let us make a better world for our industry!



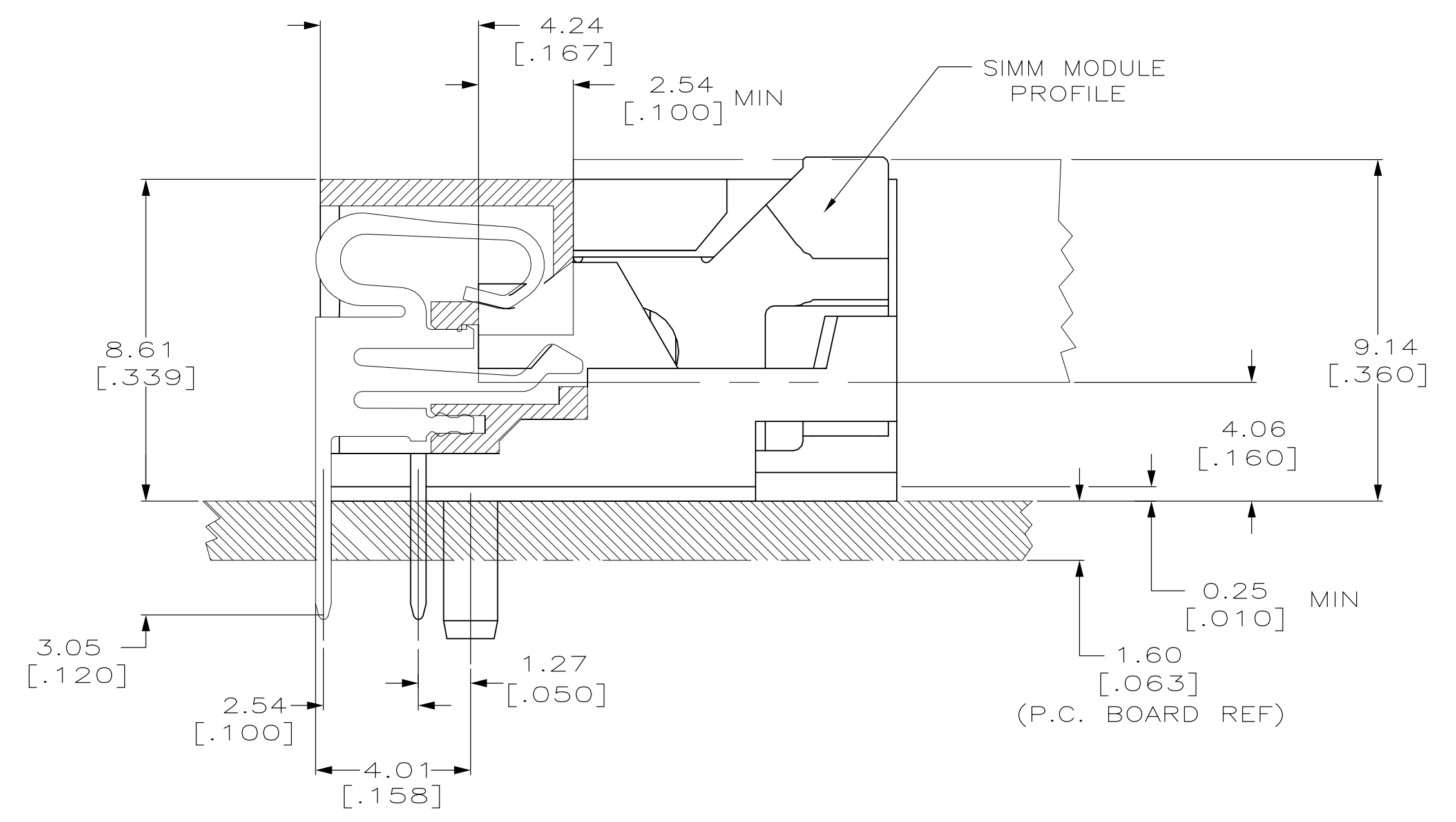
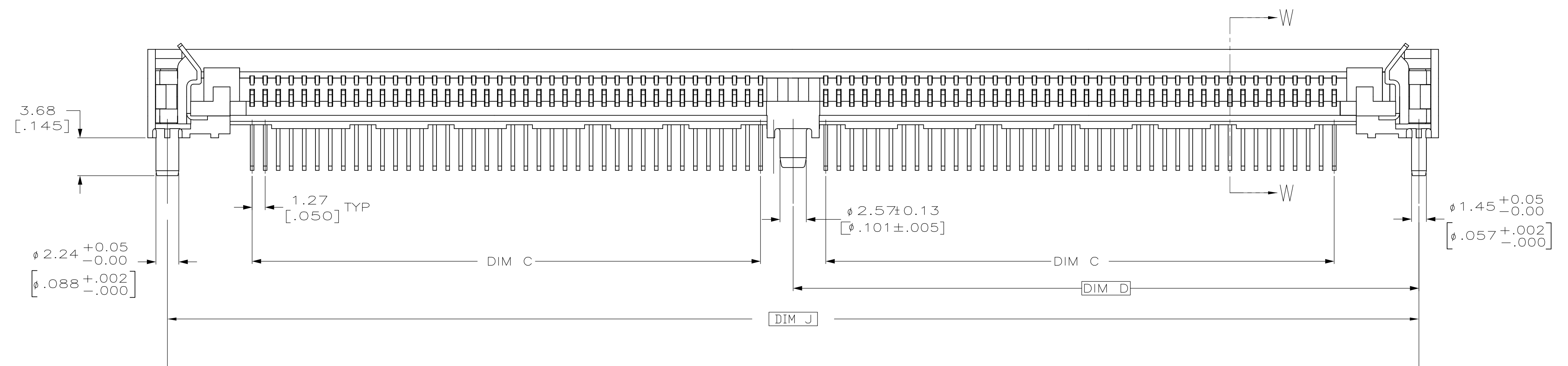
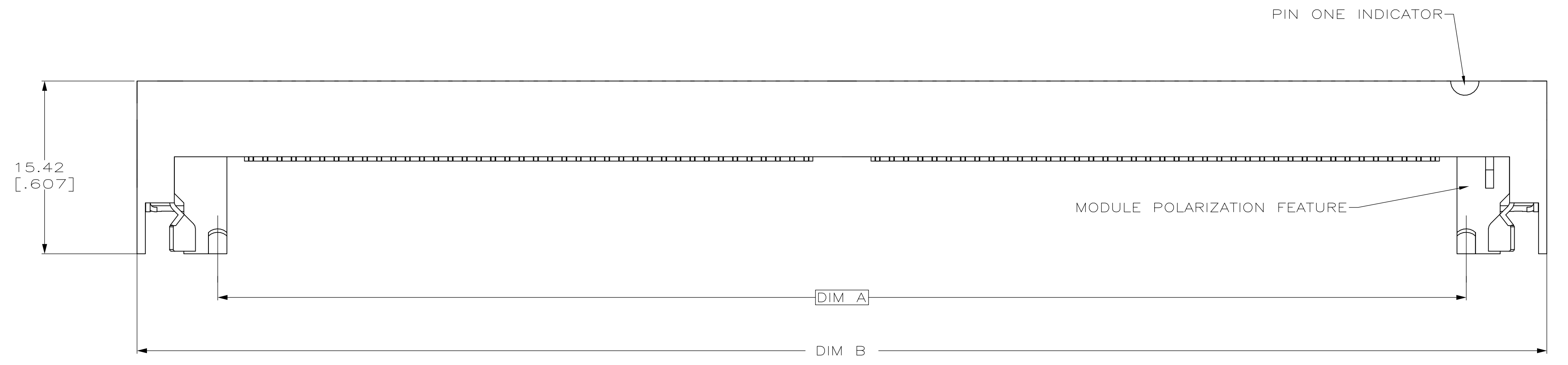
Contact us

Tel: +86-755-8981 8866 Fax: +86-755-8427 6832

Email & Skype: info@chipsmall.com Web: www.chipsmall.com

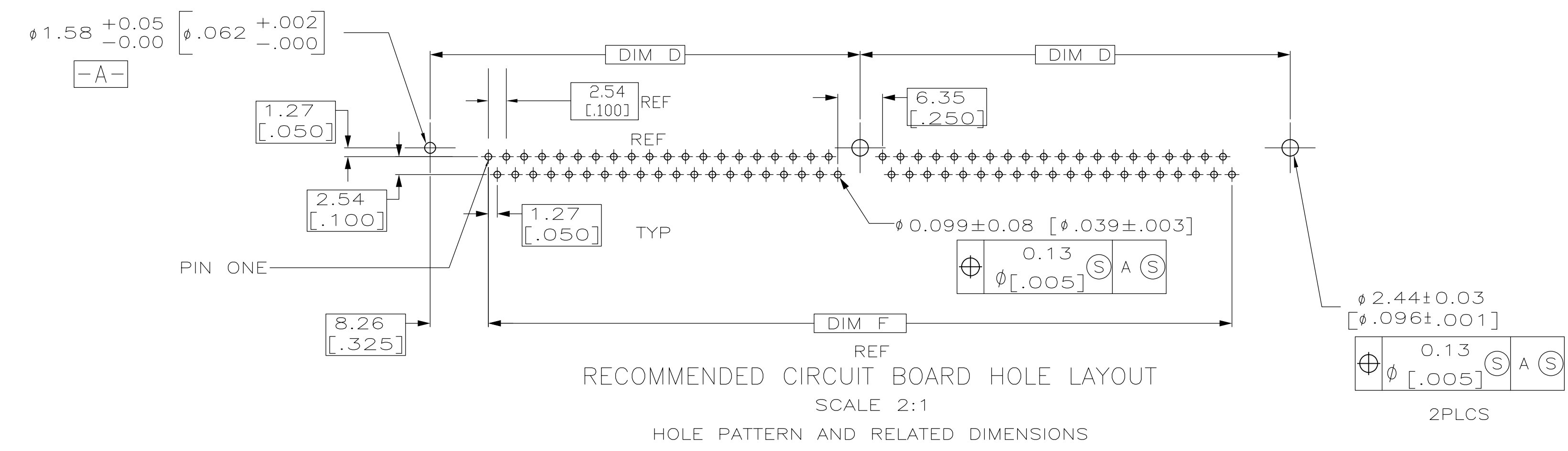
Address: A1208, Overseas Decoration Building, #122 Zhenhua RD., Futian, Shenzhen, China



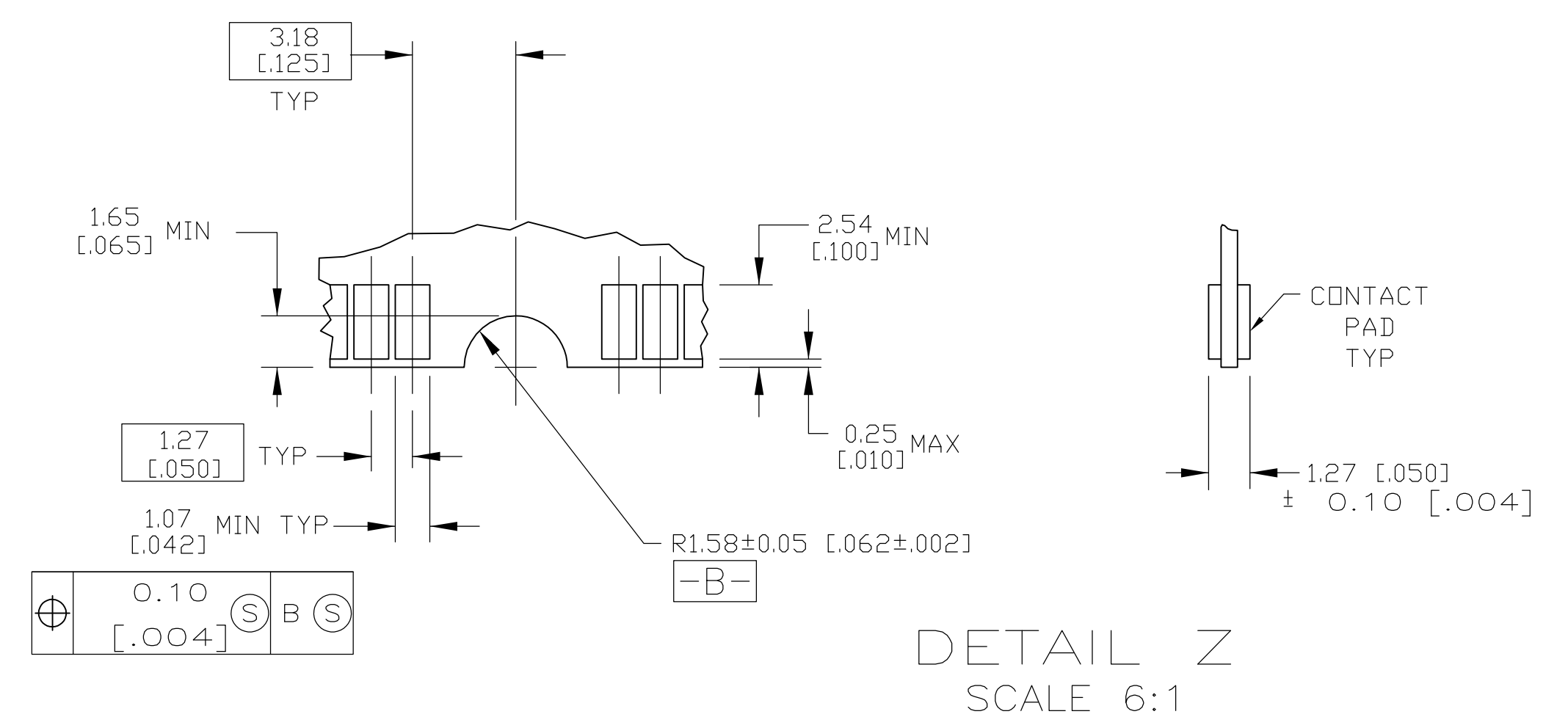
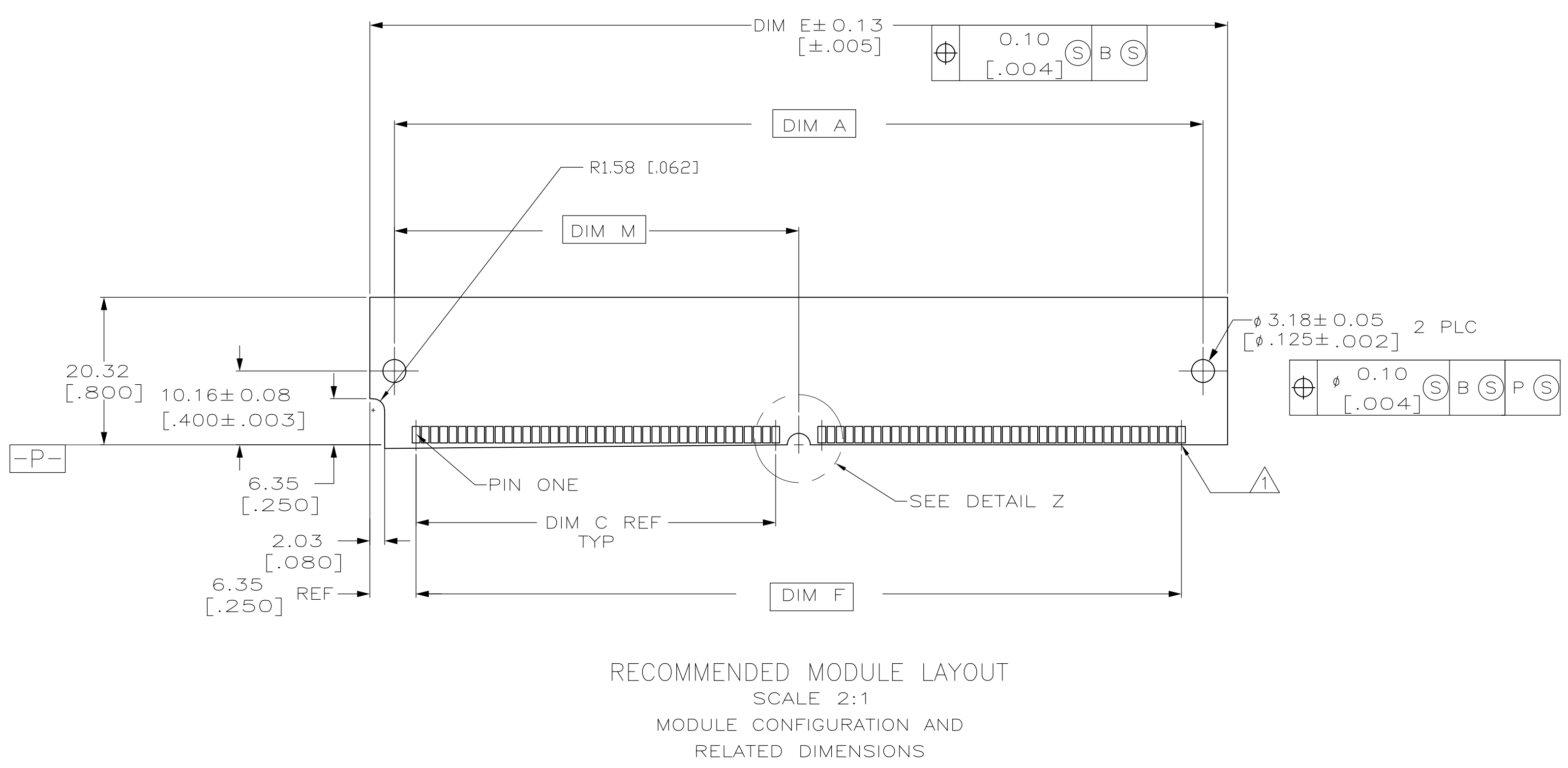


SECTION W-W
SCALE 8:1

THIS DRAWING IS A CONTROLLED DOCUMENT.		DWN: WENKE HE 29MAR05	TE Connectivity
		CHK: STEVEN YAO 29MAR05	
DIMENSIONS: mm(INCHES)		APVD: T ENOMOTO 29MAR05	NAME: SIMM II RTANG
TOLERANCES UNLESS OTHERWISE SPECIFIED:		PRODUCT SPEC: -	1.27 [.050] CL ASSY
0 PLC ± -		APPLICATION SPEC: -	4.06 [.160] HEIGHT
1 PLC ± -			
2 PLC ± -			
3 PLC ± .127(.005)			
4 PLC ± -			
ANGLES ± -			
MATERIAL: HSG:GLASS REINF	FINISH: - 2	WEIGHT: -	SIZE: A1
		CAGE CODE: 00779	DRAWING NO: C=5382483
		SCALE: 4:1	SHEET 1 OF 2
		REV A1	



- 1 FOR OPTIMUM PERFORMANCE, CONTACT PAD PLATING SHOULD BE SMOOTH AND FLAT. COPPER CONTACT PADS ARE TO BE OVERPLATED WITH .00127[.000050] MIN THK NICKEL FOLLOWED WITH 0.00101[.000040] MIN THK GOLD PLATING.
- 2 CONTACT MATING AREA:
0.00076 [.000030] MIN THICK GOLD.
SOLDERTAIL:
0.00005[.000002] MIN THK GOLD.
UNDERPLATE:
0.00127[.000050] MIN THK NICKEL OVER ENTIRE CONTACT.



50.60[1.992]	111.76[4.400]	95.25[3.750]	107.95[4.250]	55.88[2.200]	44.45[1.750]	115.57[4.550]	101.19[3.984]	72	7-5382483-2
DIM M	DIM J	DIM F	DIM E	DIM D	DIM C	DIM B	DIM A	POSN	PART NO.

THIS DRAWING IS A CONTROLLED DOCUMENT.		DWN WENKE HE 29MAR05		CHK STEVEN YAO 29MAR05		APVD TENOMOTO 29MAR05		NAME	
DIMENSIONS: mm[INCHES]		TOLERANCES UNLESS OTHERWISE SPECIFIED:		PRODUCT SPEC		APPLICATION SPEC		SIZE CAGE CODE DRAWING NO	
0 PLC ± -		1 PLC ± -		2 PLC ± -		3 PLC ± 0.13[.005]		A1 00779 C=5382483	
4 PLC ± -		ANGLES ± -		MATERIAL		FINISH		WEIGHT	
				CUSTOMER DRAWING		SCALE 4:1		SHEET 2 OF 2 REV A1	