



Chipsmall Limited consists of a professional team with an average of over 10 year of expertise in the distribution of electronic components. Based in Hongkong, we have already established firm and mutual-benefit business relationships with customers from,Europe,America and south Asia,supplying obsolete and hard-to-find components to meet their specific needs.

With the principle of “Quality Parts,Customers Priority,Honest Operation,and Considerate Service”,our business mainly focus on the distribution of electronic components. Line cards we deal with include Microchip,ALPS,ROHM,Xilinx,Pulse,ON,Everlight and Freescale. Main products comprise IC,Modules,Potentiometer,IC Socket,Relay,Connector.Our parts cover such applications as commercial,industrial, and automotives areas.

We are looking forward to setting up business relationship with you and hope to provide you with the best service and solution. Let us make a better world for our industry!



## Contact us

Tel: +86-755-8981 8866 Fax: +86-755-8427 6832

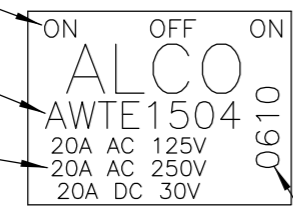
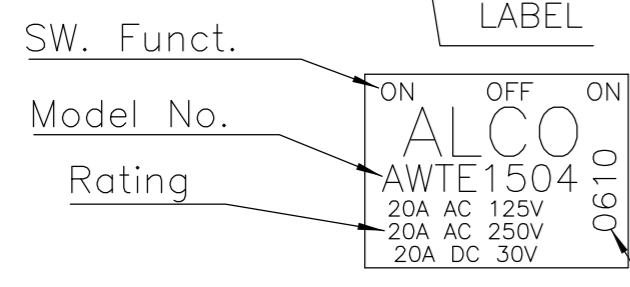
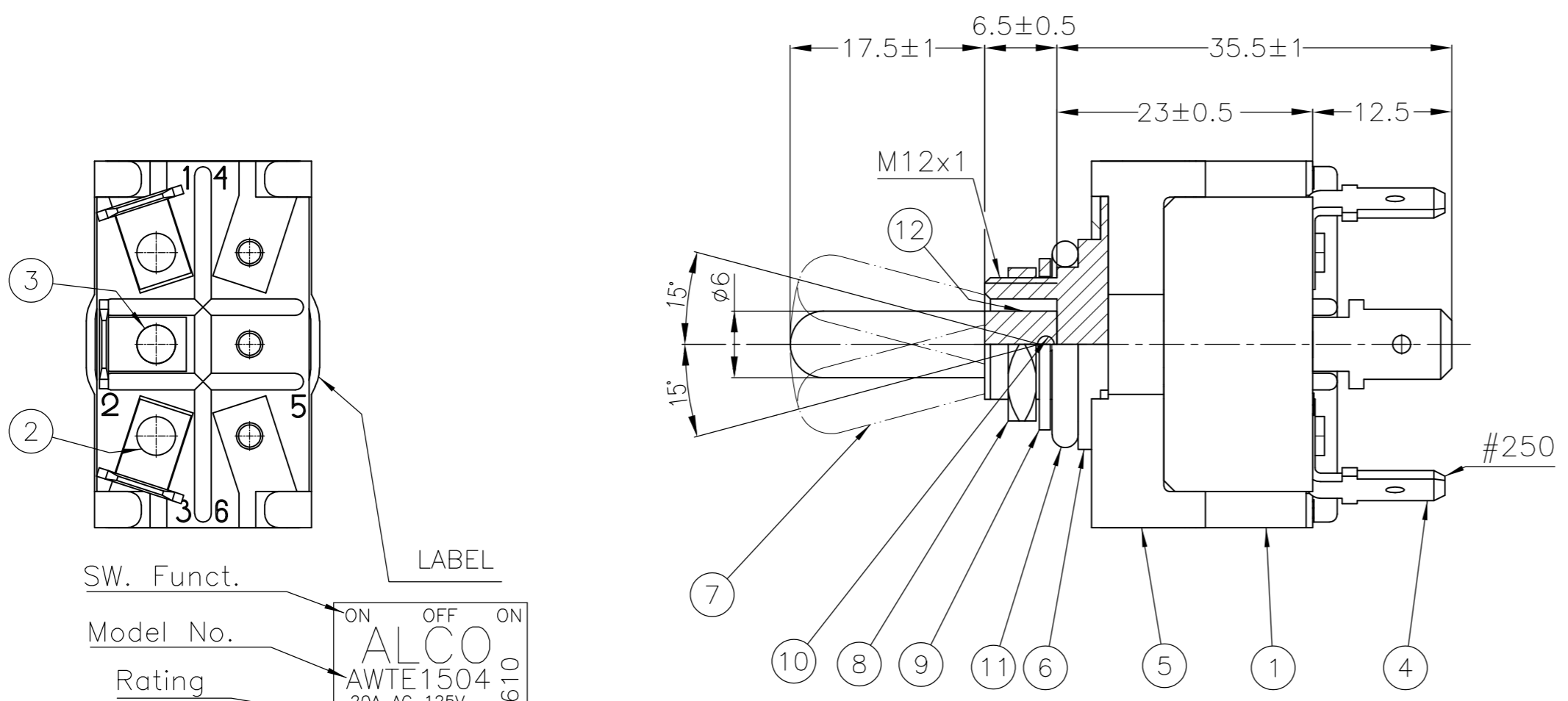
Email & Skype: info@chipsmall.com Web: www.chipsmall.com

Address: A1208, Overseas Decoration Building, #122 Zhenhua RD., Futian, Shenzhen, China



THIS DRAWING IS UNPUBLISHED. RELEASED FOR PUBLICATION  
 © COPYRIGHT - By - ALL RIGHTS RESERVED.

REVISONS		DATE	DWN	APVD
P	LTR	DESCRIPTION		
C		REVISED PER ECO-13-015855	10OCT2013	KH RH



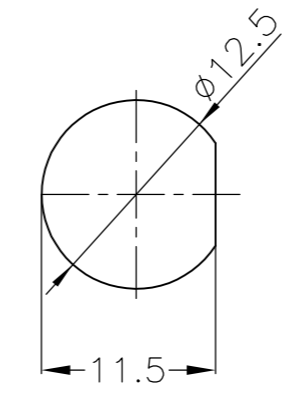
DATE CODE

EXAMPLE  
 0610  
 Year Month  
 2006 Oktober

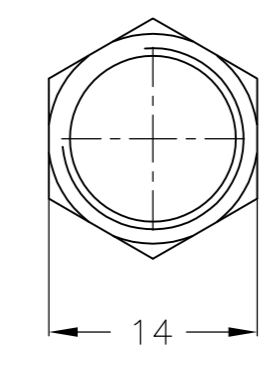
- 1 OPERATING TEMPERATURE -20°C TO +70°C
- 2 OPERATING FORCE MAX 29,4N
- 3 ALL MATERIALS AND FINISHES COMPLY WITH ROHS DIRECTIVE

Specifications				
Rating	Initial Contact Resistance	Insulation Resistance	Dielectric Strength	Endurance
AC 125V 20A AC 250V 20A DC 30V 20A	MAX 10 milliohms at DC 2 ~ 4V 1A	MIN 1000 M Ohms at DC 500V	AC 1,5kV/1 min (AC 1,8kV/1 sec)	electrically 20.000 cycles at 20 cycles/min (rated load resistive) mechanically 40.000 cycles at 20 cycles/min

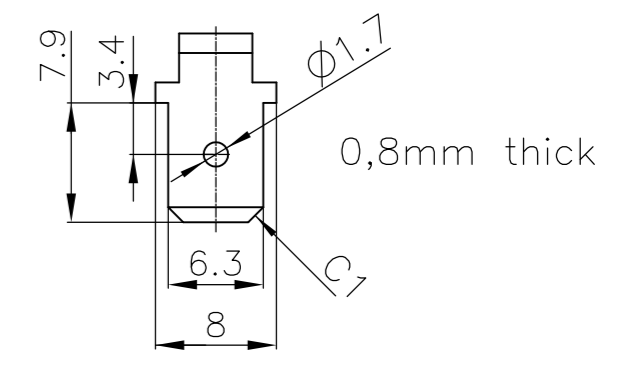
MOUNTING HOLE



NUT (8)

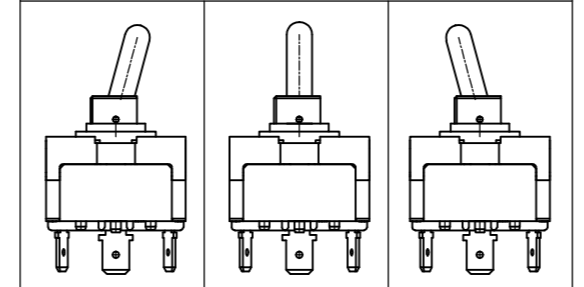


TERMINAL #250



MATERIALS CHART			
1	Case	PM-EG	
2	F Contact	Silver alloy + C3602BD	
3	Common Contact	C3602BD	
4	Terminal	C2680R	
5	Frame	SPCC	EP-Fe/Zn4/CM
6	Bushing	Zinc alloy	EP-Zn/Cu5,Ni10b
7	Actuator	C3602BD-F	Ep-Cu/Ni3
8	Nut	C3602BD	Ep-Cu/Ni3b
9	L Washer	SK-5	Ep-Fe/Ni3b
10	Shaft	SUS	
11	Rubber seal	NBR	
12	Insert molded rubber	Silcon rubber	

Function Chart



TE PN	PART	Terminals 1 and 2		Terminals 2 and 3
7-6437630-0	AWTD1504	ON	NONE	ON
7-6437630-1	AWTE1504	ON	OFF	ON
7-6437630-4	AWTF1504	ON	NONE	(ON)
7-6437630-5	AWTG1504	(ON)	OFF	(ON)
7-6437630-6	AWTH1504	ON	OFF	(ON)

(ON) : momentary action  
 OFF : mechanical position without electrical connection  
 NONE : no mechanical position

THIS DRAWING IS A CONTROLLED DOCUMENT.

DIMENSIONS: mm

TOLERANCES UNLESS OTHERWISE SPECIFIED:

0 PLC	±	-
1 PLC	±	-
2 PLC	±	-
3 PLC	±	-
4 PLC	±	-
ANGLES	±	-

MATERIAL: - FINISH: -

TE Connectivity  
**TE**  
 POWER TOGGLE SWITCH SINGLE POLE  
 PANEL MOUNTING WATERTIGHT

SIZE: A2 CAGE CODE: 00779 DRAWING NO: C=1968500  
 WEIGHT: -  
 SCALE: 1:1 SHEET: 1 of 1 REV: C