



Chipsmall Limited consists of a professional team with an average of over 10 year of expertise in the distribution of electronic components. Based in Hongkong, we have already established firm and mutual-benefit business relationships with customers from,Europe,America and south Asia,supplying obsolete and hard-to-find components to meet their specific needs.

With the principle of "Quality Parts,Customers Priority,Honest Operation,and Considerate Service",our business mainly focus on the distribution of electronic components. Line cards we deal with include Microchip,ALPS,ROHM,Xilinx,Pulse,ON,Everlight and Freescale. Main products comprise IC,Modules,Potentiometer,IC Socket,Relay,Connector.Our parts cover such applications as commercial,industrial, and automotives areas.

We are looking forward to setting up business relationship with you and hope to provide you with the best service and solution. Let us make a better world for our industry!



Contact us

Tel: +86-755-8981 8866 Fax: +86-755-8427 6832

Email & Skype: info@chipsmall.com Web: www.chipsmall.com

Address: A1208, Overseas Decoration Building, #122 Zhenhua RD., Futian, Shenzhen, China

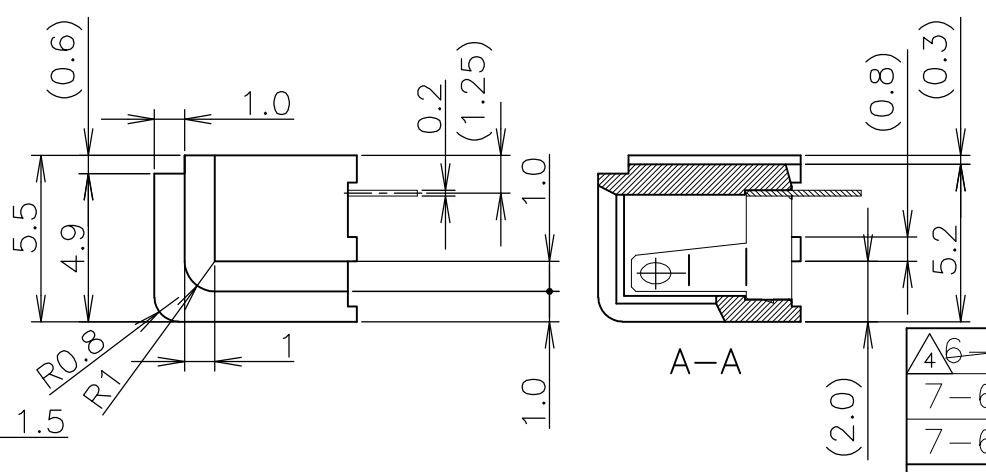
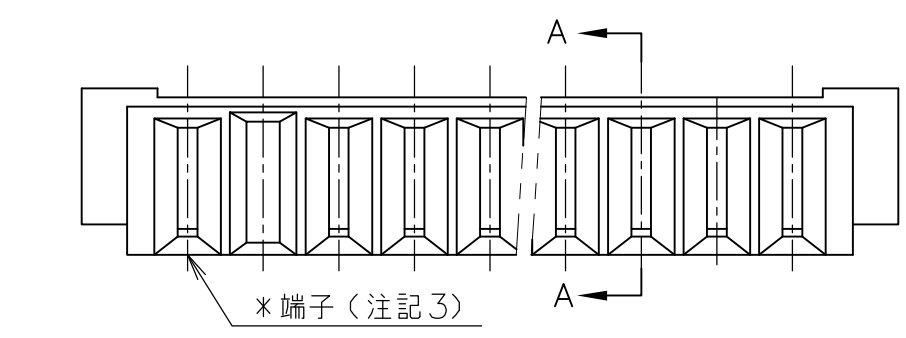
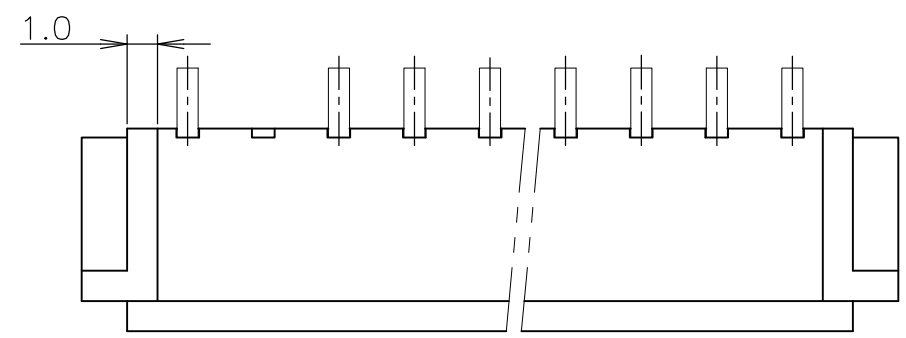
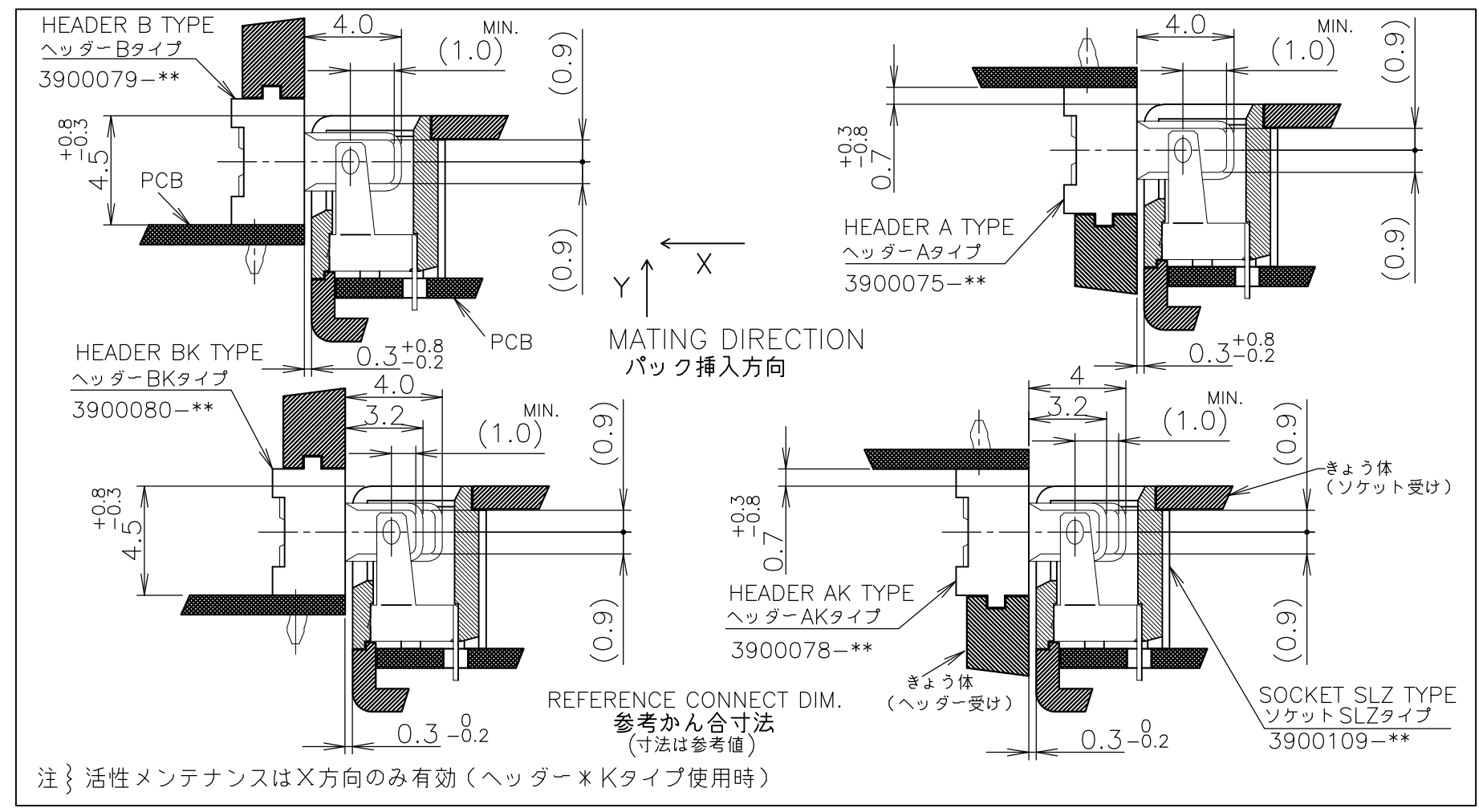


THIS DRAWING IS UNPUBLISHED. RELEASED FOR PUBLICATION AUG. 2004.
 © COPYRIGHT 2004 BY TYCO ELECTRONICS CORPORATION. ALL RIGHTS RESERVED.

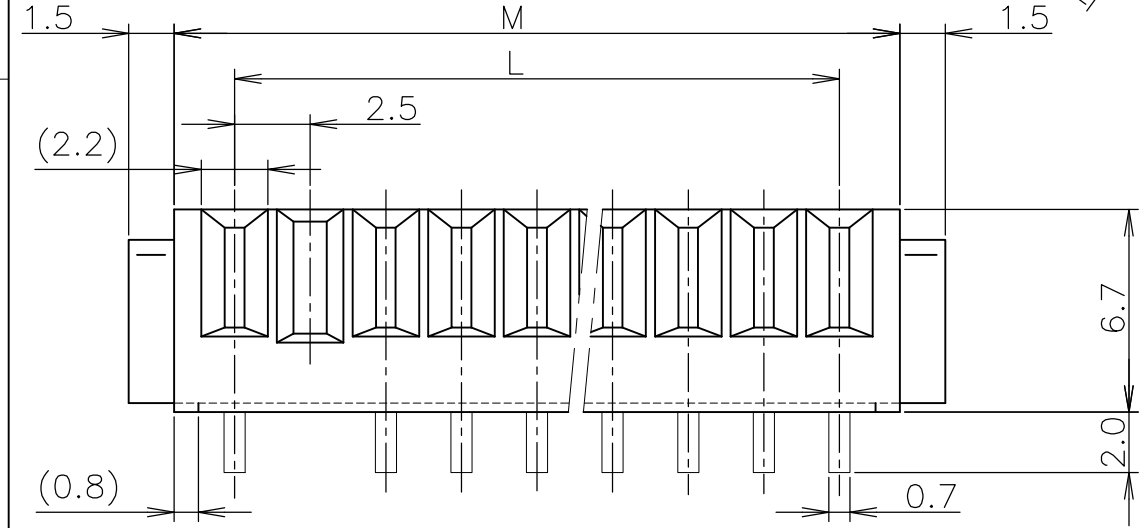
LOC	DIST	REVISIONS				
		P	LTR	DESCRIPTION		
J	/	01	REVISED PER ECO-10-000444	19JAN10	KK	HMR

- 1 一般公差 ±0.3
 2 材質
 ハウジング: 熱可塑性樹脂, 黒色
 コンタクト: 銅合金
 全面: ニッケル下地めっき
 接触部: 金めっき 0.1μm MIN.
 半田付け部: 金めっき
 3 * 番端子に電源(+,G)ラインを配置することを推奨する。

- 1 GENERAL TOLERANCE: ±0.3
 2 MATERIALS
 HOUSING: THERMOPLASTIC, BLACK
 CONTACT: COPPER ALLOY
 0.1μm MIN. GOLD
 OVER NICKEL PLATE (CONTACT AREA)
 Au PLATE OVER NICKEL PLATE (TAIL AREA)
 3 PIN WITH * MARK IS SUITABLE FOR POWER LINE.
 4 OBSOLETE PARTS: OBSOLETE CIS STREAMLINING PER D.RENAUD/D.SINISI



鉛フリー
LEAD FREE



46-6447141-9	3900109-07	7	17.5	21.5	
7-6447141-1	3900109-10	10	25.0	29.0	
7-6447141-0	3900109-08	8	20.0	24.0	
PART NO. 型番	OLD PART NO. 旧型番	NO. OF POS. 極数	L 寸法	M SIZE	REMARK 備考

THIS DRAWING IS A CONTROLLED DOCUMENT.

DWN H.TAKASU 05AUG04	 Tyco Electronics AMP K.K. Kawasaki, Japan
CHK T.KIMURA 05AUG04	
APVD K.IKEGAMI 05AUG04	
PRODUCT SPEC 製品規格 108-78126	BU CONNECTOR FS3 SOCKET SLZ TYPE
APPLICATION SPEC 取付適用規格	
MATERIAL 材料	FINISH 仕上
WEIGHT	SIZE A3
CUSTOMER DRAWING	CAGE CODE 00779
	DRAWING NO 番号 G-6-6447141-9
	RESTRICTED TO
	SCALE 尺度 4:1
	SHEET 1 OF 1
	REV 01