



Chipsmall Limited consists of a professional team with an average of over 10 year of expertise in the distribution of electronic components. Based in Hongkong, we have already established firm and mutual-benefit business relationships with customers from,Europe,America and south Asia,supplying obsolete and hard-to-find components to meet their specific needs.

With the principle of "Quality Parts,Customers Priority,Honest Operation,and Considerate Service",our business mainly focus on the distribution of electronic components. Line cards we deal with include Microchip,ALPS,ROHM,Xilinx,Pulse,ON,Everlight and Freescale. Main products comprise IC,Modules,Potentiometer,IC Socket,Relay,Connector.Our parts cover such applications as commercial,industrial, and automotives areas.

We are looking forward to setting up business relationship with you and hope to provide you with the best service and solution. Let us make a better world for our industry!



Contact us

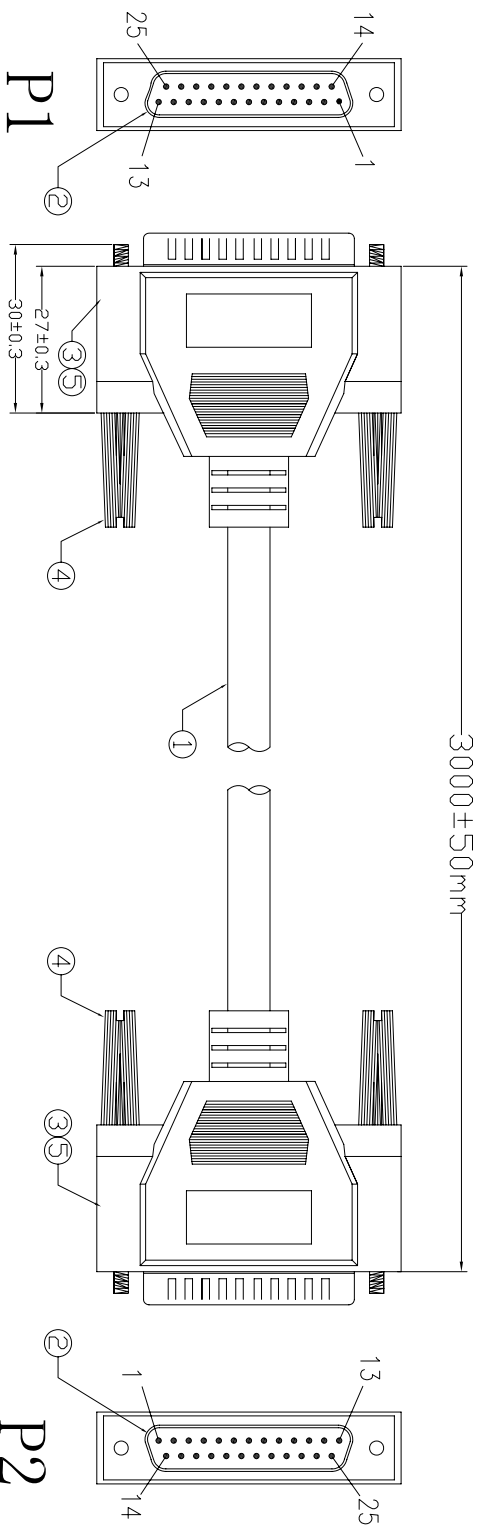
Tel: +86-755-8981 8866 Fax: +86-755-8427 6832

Email & Skype: info@chipsmall.com Web: www.chipsmall.com

Address: A1208, Overseas Decoration Building, #122 Zhenhua RD., Futian, Shenzhen, China



Units: mm



Electrical test:
 1. 100% short open, miswire test
 2. Conduct resistance: 5 Ohm(max)
 3. Insulation resistance: 10Mohm(min)
 4. dielectric test: DC 300V

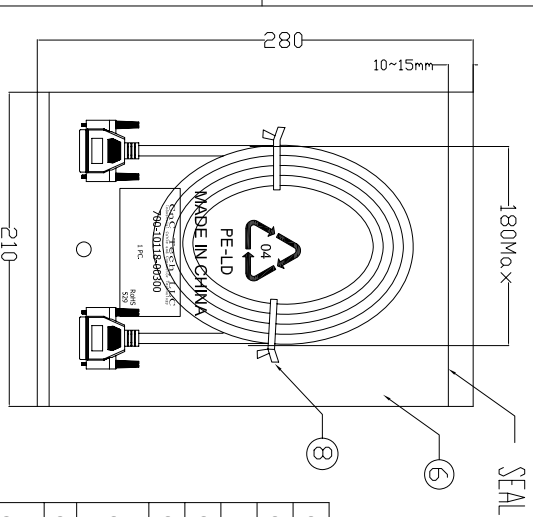
PIN ASSIGNMENT	
P1 1	棕
P1 18	棕/黑
P1 2	红
P1 19	红/黑
P1 3	橙
P1 19	橙/黑
P1 4	黄
P1 20	黄/黑
P1 5	绿
P1 20	绿/黑
P1 6	蓝
P1 21	蓝/黑
P1 7	紫
P1 21	紫/黑
P1 8	白
P1 22	白/黑
P1 9	粉红
P1 22	粉红/黑
P1 10	棕/白
P1 24	棕/白
P1 11	橙/白
P1 23	橙/白
P1 12	绿/白
P1 24	绿/白
P1 13	紫/白
P1 24	紫/白
P1 14	蓝/白
P1 25	蓝/白
P1 15	橙/棕
P1 25	橙/棕
P1 16	绿/棕
P1 25	绿/棕
P1 15	蓝/棕
P1 23	蓝/棕
P1 23	紫/棕
P1 17	棕/红
P1 25	棕/红
P1 25	浅灰/红
P1 25	浅灰/红
P1 25	DRAIN+BRAID
P2 1	棕
P2 18	棕/黑
P2 2	红
P2 19	红/黑
P2 3	橙
P2 19	橙/黑
P2 4	黄
P2 20	黄/黑
P2 5	绿
P2 20	绿/黑
P2 6	蓝
P2 21	蓝/黑
P2 7	紫
P2 21	紫/黑
P2 8	白
P2 22	白/黑
P2 9	粉红
P2 22	粉红/黑
P2 10	棕/白
P2 24	棕/白
P2 11	橙/白
P2 23	橙/白
P2 12	绿/白
P2 24	绿/白
P2 13	紫/白
P2 24	紫/白
P2 14	蓝/白
P2 25	蓝/白
P2 15	橙/棕
P2 25	橙/棕
P2 16	绿/棕
P2 25	绿/棕
P2 15	蓝/棕
P2 23	蓝/棕
P2 23	紫/棕
P2 17	棕/红
P2 25	棕/红
P2 25	浅灰/红
P2 25	浅灰/红
P2 25	DRAIN+BRAID
P2 25	SHELL
P2 25	SHELL

CNC Tech, LLC

Industrial Cable and Connector Technology

DRAWN BY	ZHONGHS	DRAWING NO.	
CHECKED BY		CUSTOMER	
APPROVAL BY		ITEM NO.	700-10118-00300
DECIDE BY		DATE	2012-02-22
VERSIONS/EDITION	A/0	PROJECTION	

NO.	NAME	Q'TY	SPECIFICATION
①	CABLE	1	UL20276 28AWG(7/0.12TC)+18P+D(26AWGTG)+AL/WY+BRAID(85%) 007.5±0.15mm JACKET BEIGE(V-29) L=3000±15mm.
②	CONN	2	DB 25P MALE SODER TYPE PIN G/F SHELL NI-PLATED INSULATOR COLOR:BLUE
③	IN JACKET	18g	CLEAR LD-PE (Mould NO.:NM-33)
④	SCREW	4	#4-40UNC TYPE L=30mm,NICKEL PLATED.MOLD:BEIGE(V-29) ABS
⑤	TUBE	2	HEAT SHRINK TUBE BLACK OD1.5*20MM
⑥	PE BAG	1	CLEAR SIZE:210*30*0.05mm PRINT BLACK"MADE IN CHINA"+"IPC"及印生产周期,有透气孔.
⑦	PE BAG	1/5	CLEAR SIZE: 360*380*0.05mm PRINT BLACK"MADE IN CHINA"+ "SPCS"及印生产周期,有透气孔.
⑧	TIE	2	WHITE L=150mm



4 3 2 1 4 2 1