



Chipsmall Limited consists of a professional team with an average of over 10 year of expertise in the distribution of electronic components. Based in Hongkong, we have already established firm and mutual-benefit business relationships with customers from,Europe,America and south Asia,supplying obsolete and hard-to-find components to meet their specific needs.

With the principle of “Quality Parts,Customers Priority,Honest Operation,and Considerate Service”,our business mainly focus on the distribution of electronic components. Line cards we deal with include Microchip,ALPS,ROHM,Xilinx,Pulse,ON,Everlight and Freescale. Main products comprise IC,Modules,Potentiometer,IC Socket,Relay,Connector.Our parts cover such applications as commercial,industrial, and automotives areas.

We are looking forward to setting up business relationship with you and hope to provide you with the best service and solution. Let us make a better world for our industry!



Contact us

Tel: +86-755-8981 8866 Fax: +86-755-8427 6832

Email & Skype: info@chipsmall.com Web: www.chipsmall.com

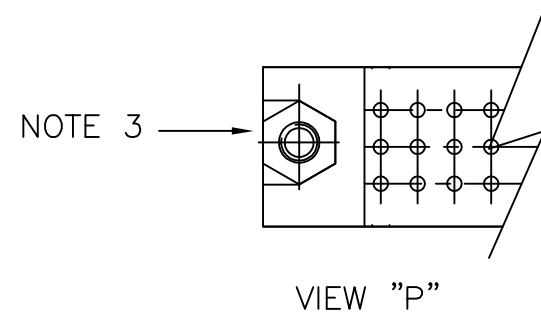
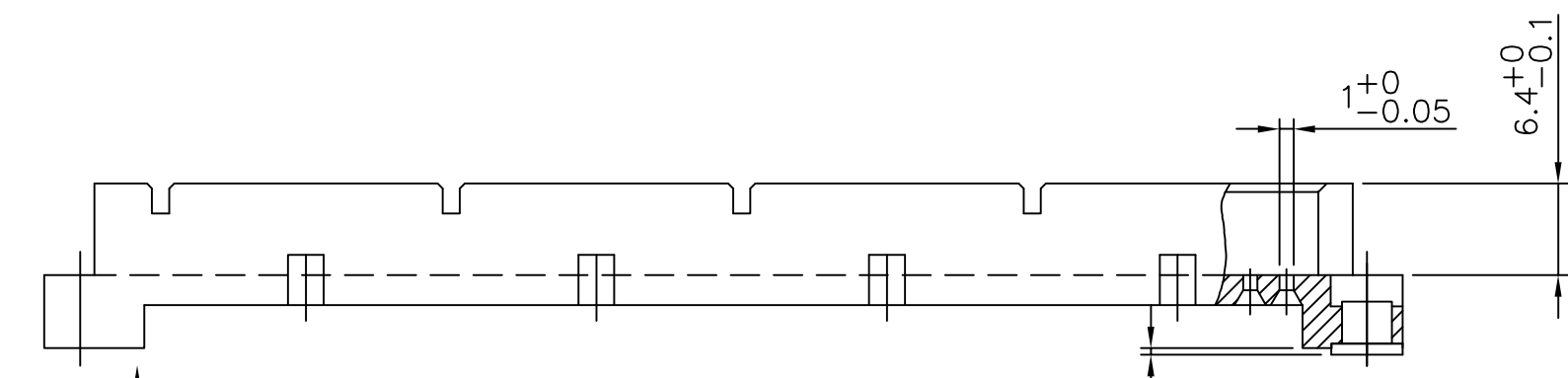
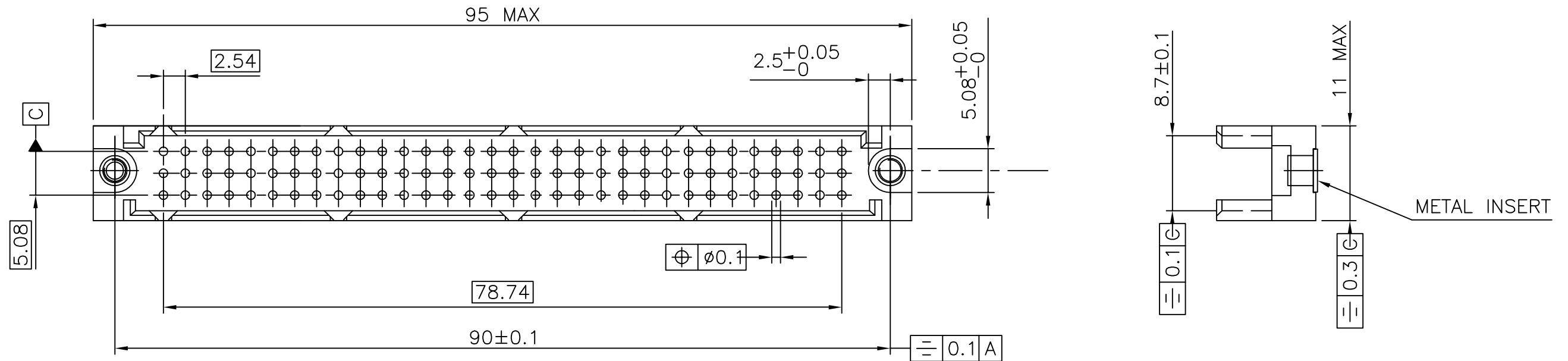
Address: A1208, Overseas Decoration Building, #122 Zhenhua RD., Futian, Shenzhen, China



PRODUCT NUMBER	DIM "X"
70007-001	0.2
70007-002	7.45
70007-003	6.85
70007-004	5.85
70007-005	4.10

NOTES:-

1. THE "LF" PRODUCT MEETS EUROPEAN UNION DIRECTIVES AND OTHER COUNTRY REGULATIONS AS DESCRIBED IN GS-22-008.
2. LEADFREE OR RoHS DIRECTIVE LABELLING TO BE PROVIDED AS PER GS-14-920.
3. " LF " SUFFIX TO PRODUCT NUMBER FOR RoHS COMPATIBLE/ LEADFREE VERSION.
4. PARTS WITH AND WITHOUT "LF " SUFFIX ARE FORM-FIT AND FUNCTIONALLY IDENTICAL.
" LF " SUFFIX PROVIDED FOR PART NUMBER STANDARDISATION OF PART THAT MEETS RoHS REQUIREMENTS.
5. MAXIMUM TORQUE OF SCREWS: 10 N/cm



MATERIAL : POLYESTER, UL-94-VO
COLOUR: GREY, RAL 7035

mat'l. code				surface	tolerance	projection	product family
SEE NOTE				ISO 1302	ISO 406 ISO 1101		DIN BP
ltr	ecn no	dr	date	tolerances unless otherwise specified		mm	title
K	I06-0082	MINI	2006-06-01	angles	linear	scale 2:1	Backp. Shroud GROUNDING
D	H70324	BKU	1997-06-09				
E	H90498	HME	1999-09-13				
F	H90566	VIB	1999-09-24	dr	B. Kuiper	1997-06-09	dwg no
G	F00881	VIB	2001-01-22	enr	JF NOTTEAU	1997-06-09	sheet 1 of 1
H	I05-0123	MINI	200-50-727	chr	Rakhee George	2006-06-01	size
J	I05-0248	MINI	2005-11-22	appd	Rakhee George	2006-06-01	A3
sheet index	revision sheet	K	1				type
							CUSTOMER Drawing

Copyright FCI
 FCIconnect.com