



Chipsmall Limited consists of a professional team with an average of over 10 year of expertise in the distribution of electronic components. Based in Hongkong, we have already established firm and mutual-benefit business relationships with customers from,Europe,America and south Asia,supplying obsolete and hard-to-find components to meet their specific needs.

With the principle of “Quality Parts,Customers Priority,Honest Operation,and Considerate Service”,our business mainly focus on the distribution of electronic components. Line cards we deal with include Microchip,ALPS,ROHM,Xilinx,Pulse,ON,Everlight and Freescale. Main products comprise IC,Modules,Potentiometer,IC Socket,Relay,Connector.Our parts cover such applications as commercial,industrial, and automotives areas.

We are looking forward to setting up business relationship with you and hope to provide you with the best service and solution. Let us make a better world for our industry!



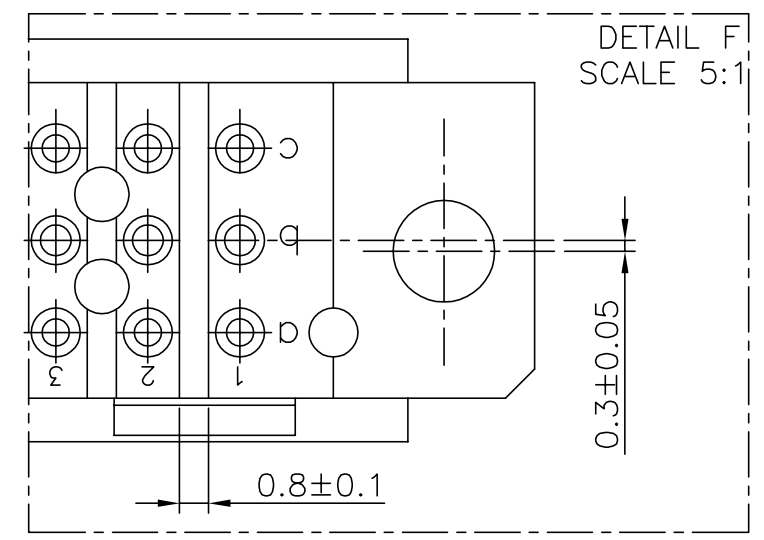
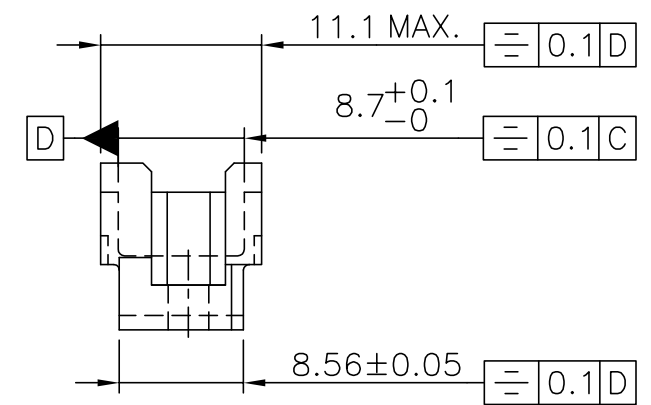
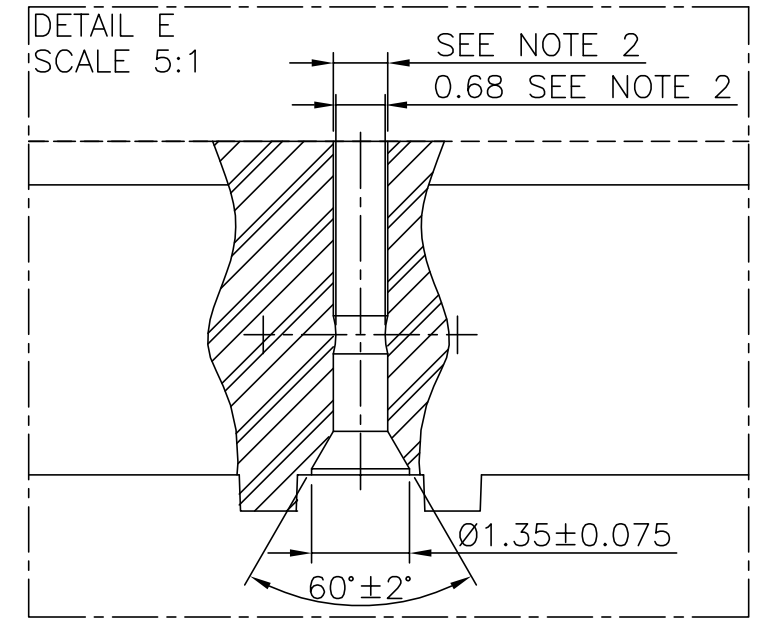
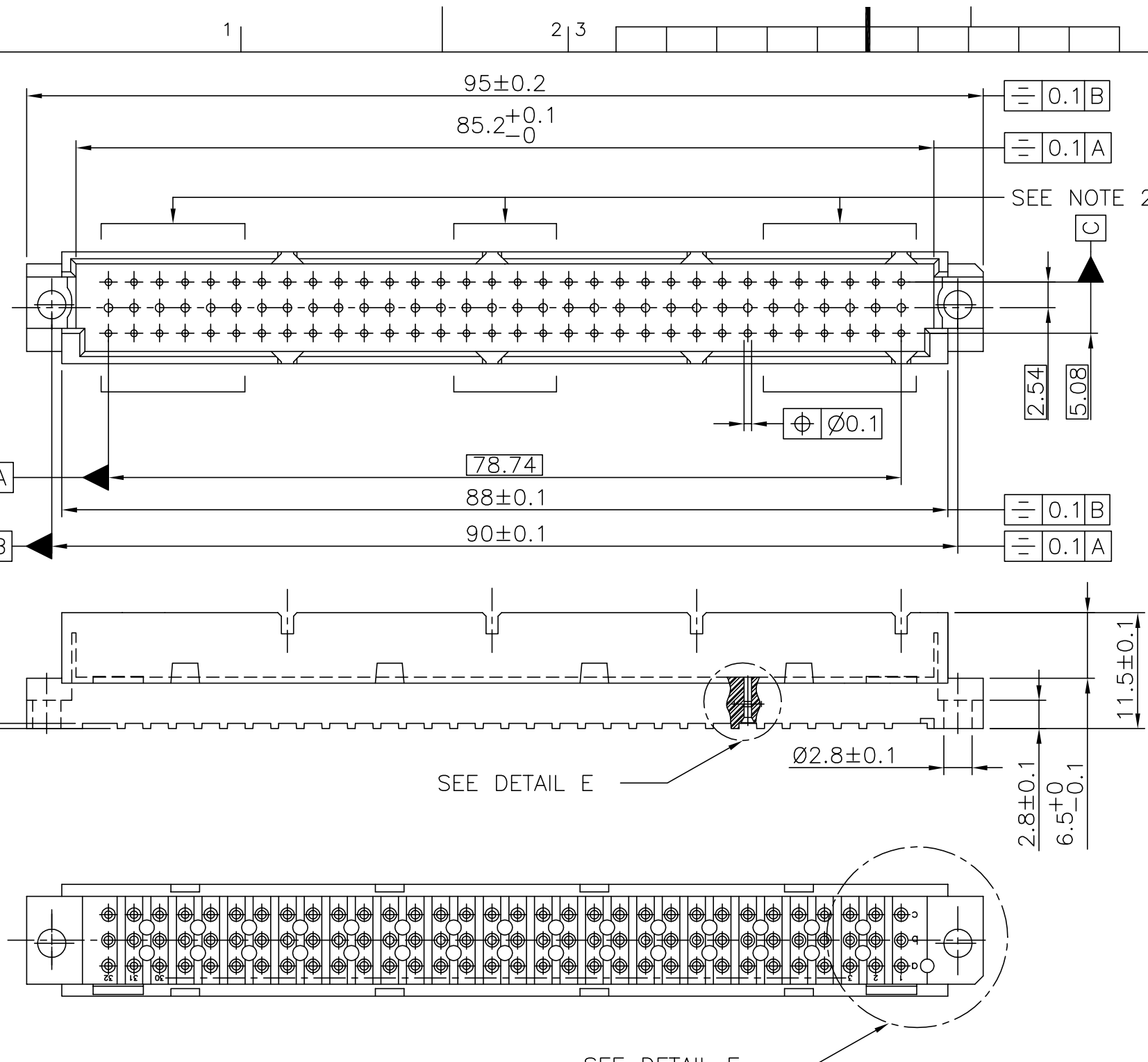
Contact us

Tel: +86-755-8981 8866 Fax: +86-755-8427 6832

Email & Skype: info@chipsmall.com Web: www.chipsmall.com

Address: A1208, Overseas Decoration Building, #122 Zhenhua RD., Futian, Shenzhen, China





- NOTES:
- MATERIAL: THERMO PLASTIC POLYESTER; 30 % GF, UL-94-v0; COLOUR: GREY
 - DIFFERENTS TYPES HOLES:
 - TYPE 1: FOR RETENTION Ø0.68 ON ROWS "a" AND "c" ON CAVITIES 1 TO 6, 15 TO 18 AND 27 TO 32
 - TYPE 2: Ø0.75 ON OTHER HOLES ON ROWS "a" AND "c"
 - TYPE 3: Ø0.85 ON HOLES ON ROW "b"
 - RETENTION OF CONNECTOR WITH ROWS "a" AND "c" ; FULLY LOADED 180N MIN
 - THE "LF" PRODUCT MEETS EUROPEAN UNION DIRECTIVES AND OTHER COUNTRY REGULATIONS AS DESCRIBED IN GS-22-008.
 - LEADFREE OR RoHS DIRECTIVE LABELLING TO BE PROVIDED AS PER GS-14-920.
 - " LF " SUFFIX TO PRODUCT NUMBER FOR RoHS COMPATIBLE/ LEADFREE VERSION.
 - PARTS WITH AND WITHOUT "LF" SUFFIX ARE FORM-FIT AND FUNCTIONALLY IDENTICAL.
" LF " SUFFIX PROVIDED FOR PART NUMBER STANDARDISATION OF PART THAT MEETS RoHS REQUIREMENTS.

PRODUCT NUMBER
70017-001

mat'l. code		surface		tolerance		projection		product family	
SEE NOTES		ISO 1302		ISO 406 ISO 1101		mm		BACKPANEL	
tolerances unless otherwise specified		angles		linear		scale 2:1		title	
ltr	ecn no	dr	date					B.P. SHROUD HIGH RETENTION	
D	F50459	OMA	1995-06-20					dwg no	
E	F50955	OMA	1995-12-20					sheet 1 of 1	
F	I06-0082	MINI	2006-06-01					size	
		dr		O.MATHEWVON		1995-05-03		70017	
		enr		M.MEUNIER		1995-05-03		A3	
		chr		RAKHEE GEORGE		2006-06-01		type	
		appd		RAKHEE GEORGE		2006-06-01		Product Customer Drawing	
sheet index	revision sheet	F	1						

Copyright FCI
 FCIconnect.com