



Chipsmall Limited consists of a professional team with an average of over 10 year of expertise in the distribution of electronic components. Based in Hongkong, we have already established firm and mutual-benefit business relationships with customers from,Europe,America and south Asia,supplying obsolete and hard-to-find components to meet their specific needs.

With the principle of “Quality Parts,Customers Priority,Honest Operation,and Considerate Service”,our business mainly focus on the distribution of electronic components. Line cards we deal with include Microchip,ALPS,ROHM,Xilinx,Pulse,ON,Everlight and Freescale. Main products comprise IC,Modules,Potentiometer,IC Socket,Relay,Connector.Our parts cover such applications as commercial,industrial, and automotives areas.

We are looking forward to setting up business relationship with you and hope to provide you with the best service and solution. Let us make a better world for our industry!



## Contact us

Tel: +86-755-8981 8866 Fax: +86-755-8427 6832

Email & Skype: info@chipsmall.com Web: www.chipsmall.com

Address: A1208, Overseas Decoration Building, #122 Zhenhua RD., Futian, Shenzhen, China



† RoHS COMPLIANT

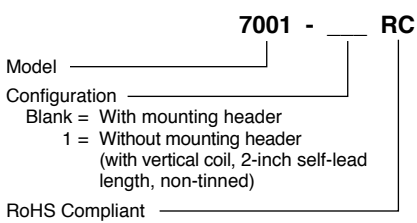
# Dual-Line Toroid Inductors

## Special Features

- Dual winding
- Low radiation
- High current capacity
- High inductance
- Dielectric strength 1000 Vrms
- Mounted on UL 94V-0 rated header (optional)
- Fixed pins for easy PCB insertion
- Operating temperature -55 to +105 °C


† RoHS Directive 2002/95/EC Jan 27, 2003 including Annex.

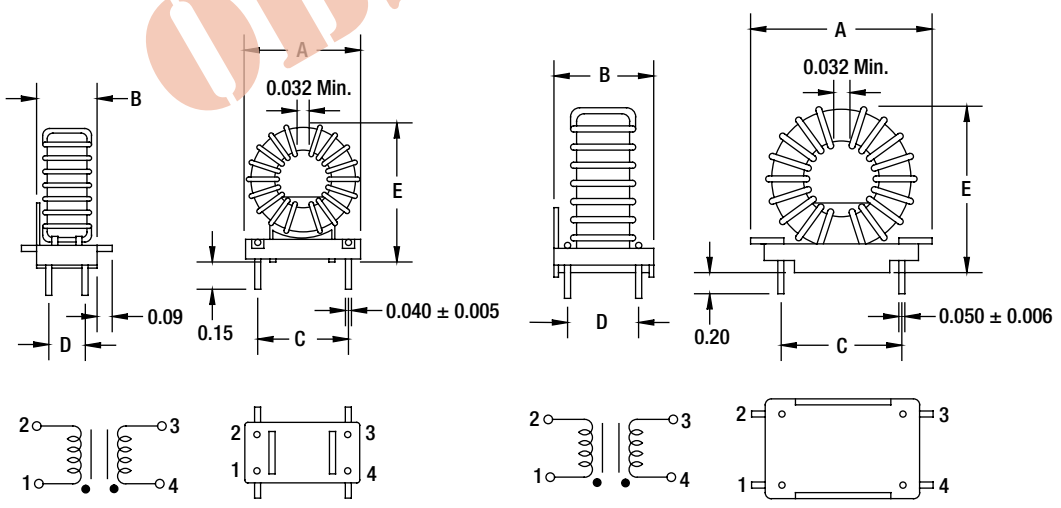
## How to Order



7000 Series									
Part Number	L (μH) ±15 % @ 1 KHz	Idc (A)	L (μH) ±15 % @ I rated	DCR Ω	Dim. A Max.	Dim. B Max.	Dim. C ±0.015	Dim. D ±0.015	Dim. E Max.
7001-RC	2.5	11.0	1.25	0.004	0.875	0.425	0.600	0.250	1.00
7002-RC	6.0	5.50	3.0	0.007	0.875	0.425	0.600	0.250	1.00
7003-RC	31.25	2.75	17.5	0.060	0.875	0.425	0.600	0.250	1.00
7004-RC	68.75	2.00	37.5	0.120	0.875	0.425	0.600	0.250	1.00
7005-RC	112.5	1.50	62.5	0.245	0.875	0.425	0.600	0.250	1.00
7006-RC	6.25	9.00	3.75	0.006	1.125	0.600	0.800	0.400	1.25
7007-RC	18.75	5.00	10	0.020	1.125	0.600	0.800	0.400	1.25
7008-RC	100	2.25	56.25	0.165	1.125	0.600	0.800	0.400	1.25
7009-RC	200	1.75	118.75	0.320	1.125	0.600	0.800	0.400	1.25
7010-RC	250	1.50	143.75	0.470	1.125	0.600	0.800	0.400	1.25
7011-RC	12.5	9.50	6.25	0.006	1.25	0.800	0.900	0.600	1.375
7012-RC	37.5	4.75	21.25	0.023	1.25	0.800	0.900	0.600	1.375
7013-RC	175	2.25	100	0.210	1.25	0.800	0.900	0.600	1.375
7014-RC	312.5	1.75	187.5	0.430	1.25	0.800	0.900	0.600	1.375
7015-RC	400	1.50	237.5	0.640	1.25	0.800	0.900	0.600	1.375
7016-RC	31.25	7.75	16.25	0.016	1.812	0.900	1.20	0.700	1.95
7017-RC	125	4.00	68.75	0.075	1.812	0.900	1.20	0.700	1.95
7018-RC	275	2.50	162.5	0.165	1.812	0.900	1.20	0.700	1.95
7019-RC	562.5	1.75	281.25	0.460	1.812	0.900	1.20	0.700	1.95
7020-RC	1125	1.25	562.5	1.320	1.812	0.900	1.20	0.700	1.95
7021-RC	62.5	8.00	31.75	0.021	2.125	1.10	1.50	0.900	2.25
7022-RC	225	3.75	125	0.088	2.125	1.10	1.50	0.900	2.25
7023-RC	450	2.50	250	0.240	2.125	1.10	1.50	0.900	2.25
7024-RC	1000	1.75	525	0.580	2.125	1.10	1.50	0.900	2.25
7025-RC	2000	1.00	1125	1.670	2.125	1.10	1.50	0.900	2.25

"-RC" suffix indicates RoHS compliance.

 This series is obsolete and not recommended for new designs.



7001-7005  
 Dimensions: Inches

7006-7025

**BOURNS®**

Tel. (877) 426-8767 • Fax (951) 781-5006

www.bourns.com