



Chipsmall Limited consists of a professional team with an average of over 10 year of expertise in the distribution of electronic components. Based in Hongkong, we have already established firm and mutual-benefit business relationships with customers from,Europe,America and south Asia,supplying obsolete and hard-to-find components to meet their specific needs.

With the principle of “Quality Parts,Customers Priority,Honest Operation,and Considerate Service”,our business mainly focus on the distribution of electronic components. Line cards we deal with include Microchip,ALPS,ROHM,Xilinx,Pulse,ON,Everlight and Freescale. Main products comprise IC,Modules,Potentiometer,IC Socket,Relay,Connector.Our parts cover such applications as commercial,industrial, and automotives areas.

We are looking forward to setting up business relationship with you and hope to provide you with the best service and solution. Let us make a better world for our industry!



Contact us

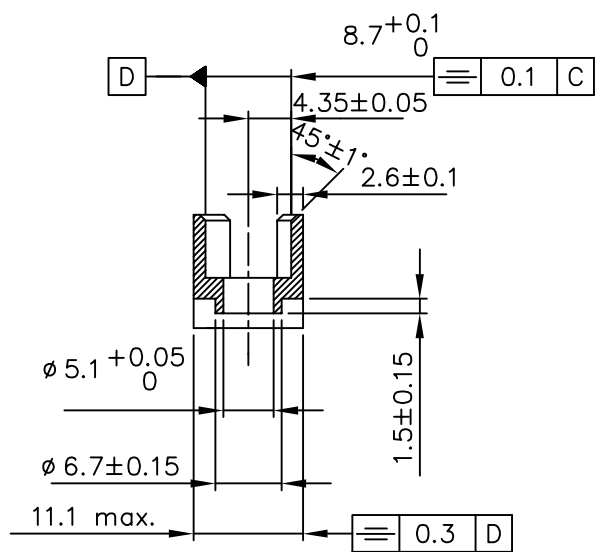
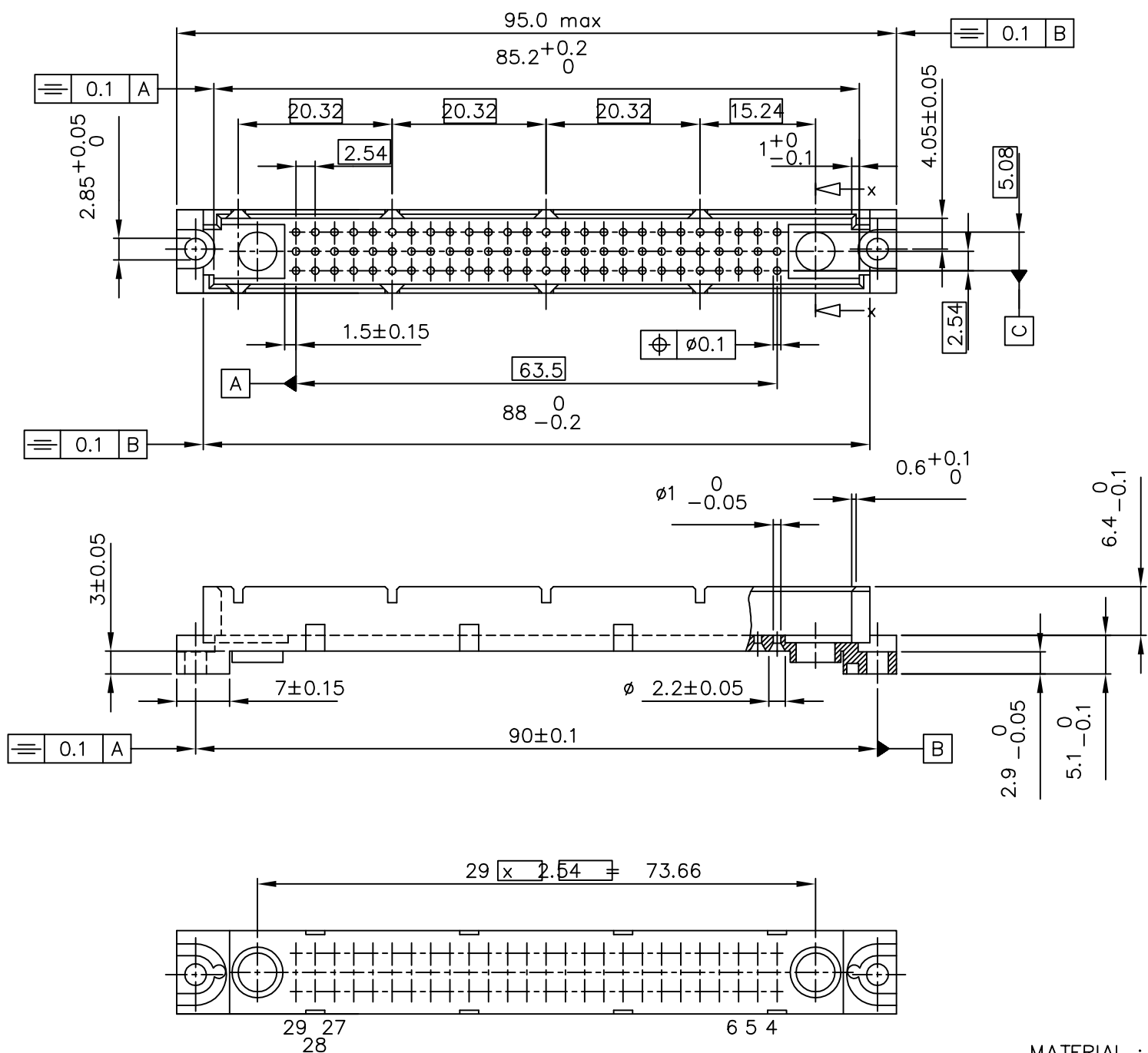
Tel: +86-755-8981 8866 Fax: +86-755-8427 6832

Email & Skype: info@chipsmall.com Web: www.chipsmall.com

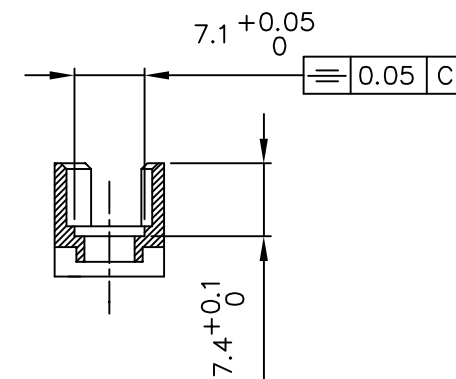
Address: A1208, Overseas Decoration Building, #122 Zhenhua RD., Futian, Shenzhen, China



PRODUCT NUMBER SEE SHEET 2



SECTION X-X
FOR PRODUCT NUMBERS
70033-001/-002/-003/-004



SECTION X-X
FOR PRODUCT NUMBERS
70033-005/-006/-007/-008

NOTES:-

1. THIS PRODUCT MEETS EUROPEAN UNION DIRECTIVES AND OTHER COUNTRY REGULATIONS AS DESCRIBED IN GS-22-008.
2. LEADFREE OR RoHS DIRECTIVE LABELLING TO BE PROVIDED AS PER GS-14-920.
3. " LF " SUFFIX TO PRODUCT NUMBER FOR RoHS COMPATIBLE/ LEADFREE VERSION.
4. PARTS WITH AND WITHOUT "LF " SUFFIX ARE FORM-FIT AND FUNCTIONALLY IDENTICAL. " LF " SUFFIX PROVIDED FOR PART NUMBER STANDARDISATION OF PART THAT MEETS RoHS REQUIREMENTS.

MATERIAL : THERMOPLASTIC POLYESTER, COLOUR GREY
FLAME RETARDANT PER UL-94-V0

| | | | | | | | | | |
|-------------|----------|----------------|------------|---------------------------------------|---------------|------------|--|-------------------------------|--|
| mat'l. code | | surface | | tolerance | | projection | | product family | |
| SEE NOTE | | ISO 1302 | | ISO 406 ISO 1101 | | mm | | BACKPANEL | |
| ltr | ecn no | dr | date | tolerances unless otherwise specified | | mm | | title | |
| D | H80467 | LGI | 1998-07-23 | angles | linear | mm | | SHROUD HYBRID BACK | |
| E | F00406 | LLA | 2000-05-22 | | | scale - | | | |
| F | I04-0104 | MINI | 2004-11-30 | | | | | | |
| G | I05-0123 | MINI | 2005-07-27 | dr | D.LEGRAND | 2000-10-10 | | dwg no sheet 1 of 2 size | |
| H | I05-0248 | MINI | 2005-11-22 | enrg | J.F.NOTTEAU | 2000-10-10 | | 70033 A3 | |
| J | I06-0082 | MINI | 2006-06-01 | chr | RAKHEE GEORGE | 2006-06-01 | | type Product Customer Drawing | |
| sheet index | | revision sheet | | J | E | | | | |
| | | 1 2 | | | | | | | |

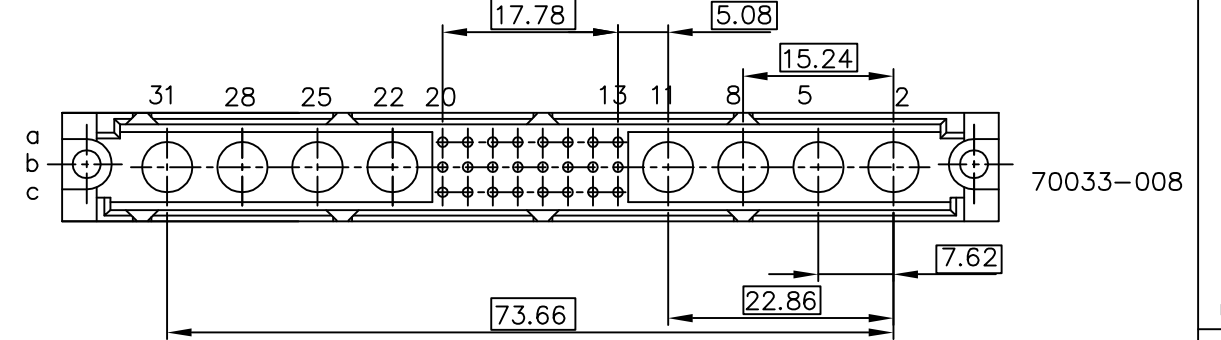
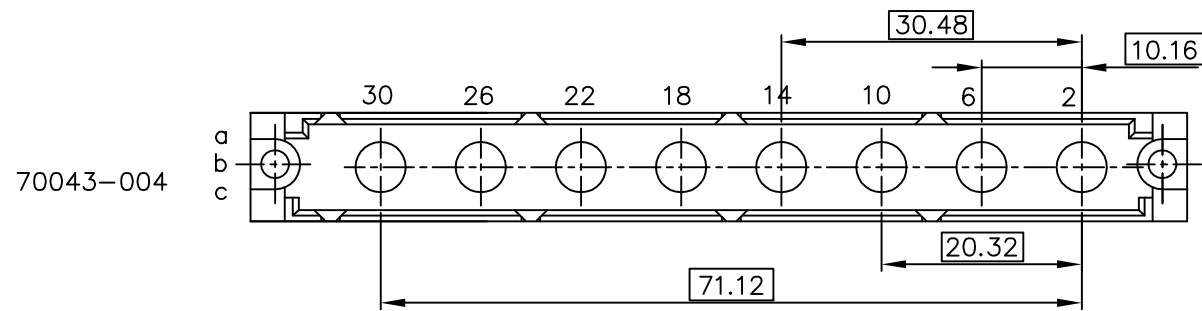
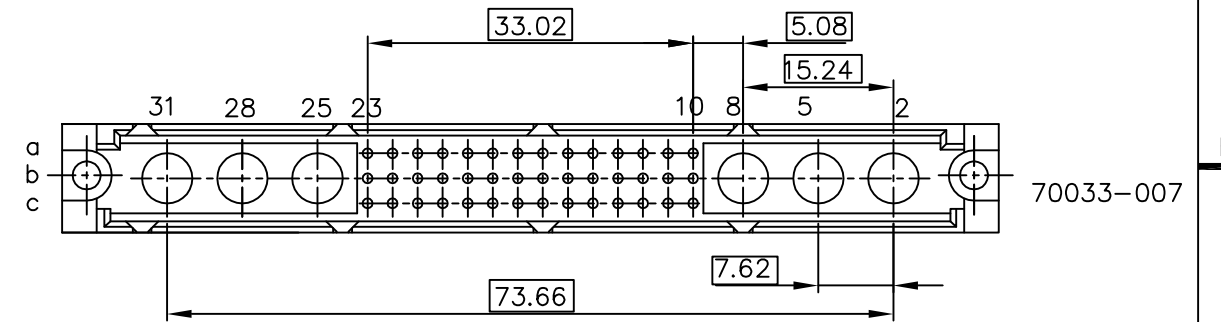
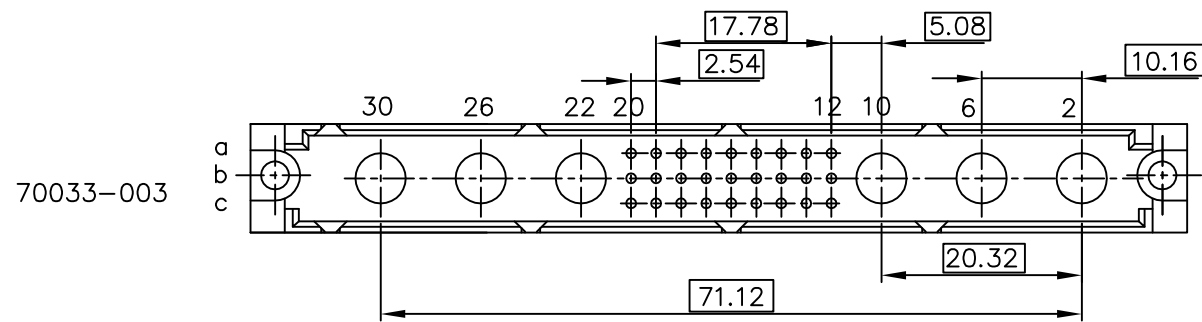
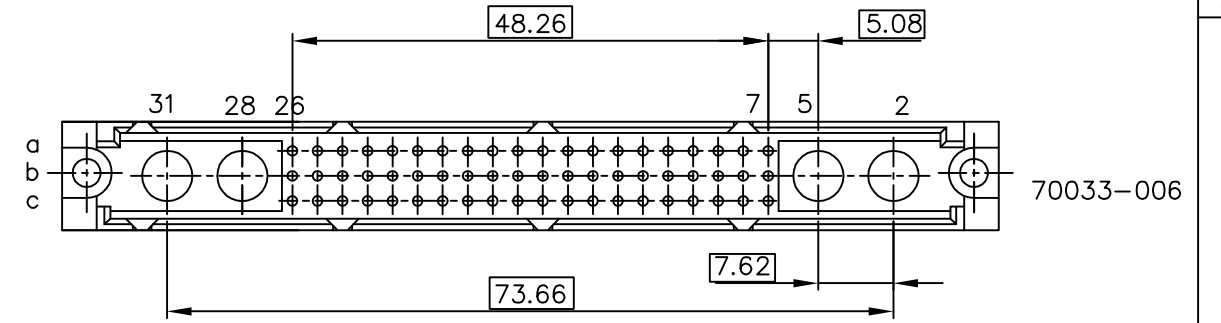
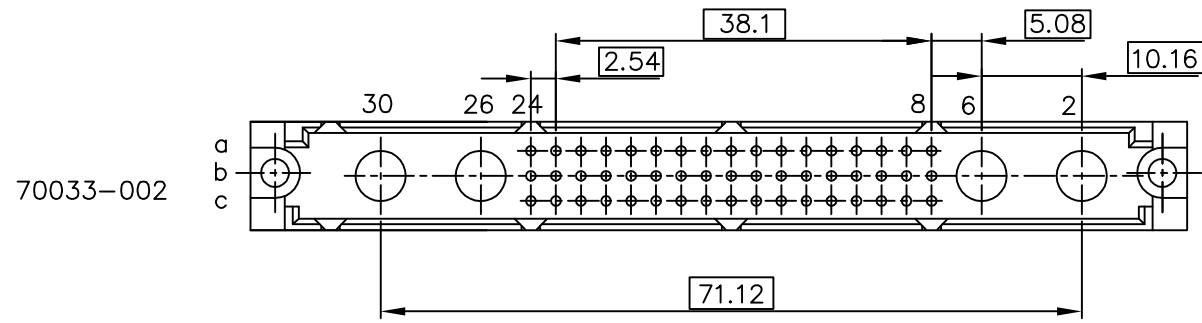
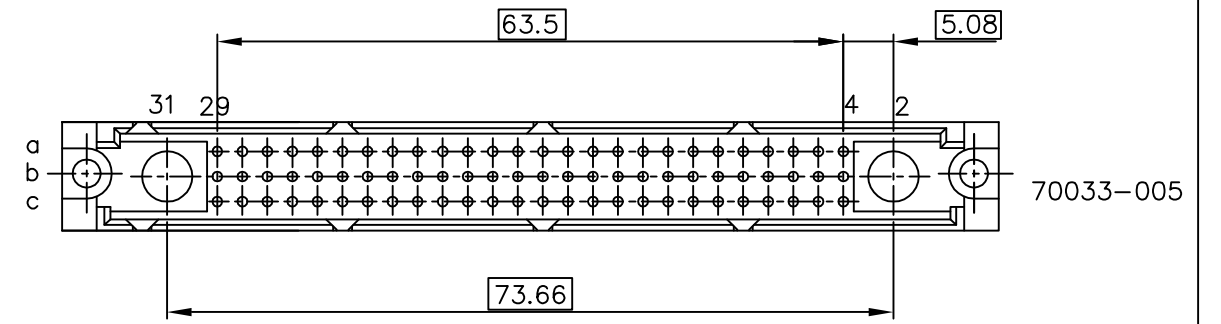
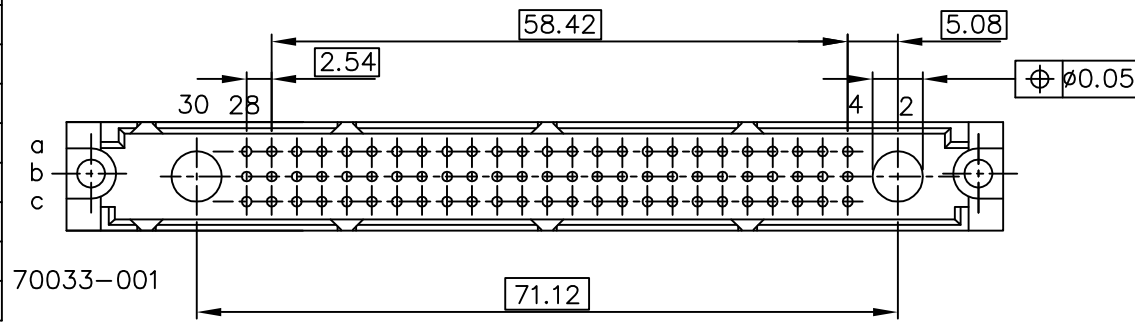
FCI
FCIconnect.com

Copyright FCI

| PRODUCT NUMBER | NUMBER OF SPECIAL CONTACTS |
|----------------|----------------------------|
| 70033-001 | 2 |
| 70033-002 | 4 |
| 70033-003 | 6 |
| 70033-004 | 8 |
| 70033-005 | 2 |
| 70033-006 | 4 |
| 70033-007 | 6 |
| 70033-008 | 8 |

MODULAR

DIN



NOTES:-

1. THIS PRODUCT MEETS EUROPEAN UNION DIRECTIVES AND OTHER COUNTRY REGULATIONS AS DESCRIBED IN GS-22-008.
2. LEADFREE OR RoHS DIRECTIVE LABELLING TO BE PROVIDED AS PER GS-14-920.
3. " LF " SUFFIX TO PRODUCT NUMBER FOR RoHS COMPATIBLE/ LEADFREE VERSION.
4. PARTS WITH AND WITHOUT "LF " SUFFIX ARE FORM-FIT AND FUNCTIONALLY IDENTICAL. " LF " SUFFIX PROVIDED FOR PART NUMBER STANDARDISATION OF PART THAT MEETS RoHS REQUIREMENTS.

| | | | | | | | | | |
|----------------------------|--|---------------------------------------|--|------------------|--|------------|--|--------------------------|--|
| mat'l. code | | surface | | tolerance | | projection | | product family | |
| SEE NOTE | | ISO 1302 | | ISO 406 ISO 1101 | | | | BACKPANEL | |
| ltr ecn no dr date | | tolerances unless otherwise specified | | angles | | mm | | title | |
| c H80467 LGI 1998-07-23 | | | | linear | | scale - | | SHROUD HYBRID BACK | |
| d I05-0248 MINI 2005-11-22 | | | | | | | | dwg no | |
| e I06-0082 MINI 2006-06-01 | | | | | | | | sheet 2 of 2 | |
| | | dr D.LEGRAND | | 2000-10-10 | | | | size | |
| | | enr J.F.NOTTEAU | | 2000-10-10 | | | | 70033 | |
| | | chr RAKHEE GEORGE | | 2006-06-01 | | | | type | |
| | | appd RAKHEE GEORGE | | 2006-06-01 | | | | Product Customer Drawing | |
| sheet index | | revision sheet | | | | | | | |



Copyright FCI