



Chipsmall Limited consists of a professional team with an average of over 10 year of expertise in the distribution of electronic components. Based in Hongkong, we have already established firm and mutual-benefit business relationships with customers from,Europe,America and south Asia,supplying obsolete and hard-to-find components to meet their specific needs.

With the principle of "Quality Parts,Customers Priority,Honest Operation,and Considerate Service",our business mainly focus on the distribution of electronic components. Line cards we deal with include Microchip,ALPS,ROHM,Xilinx,Pulse,ON,Everlight and Freescale. Main products comprise IC,Modules,Potentiometer,IC Socket,Relay,Connector.Our parts cover such applications as commercial,industrial, and automotives areas.

We are looking forward to setting up business relationship with you and hope to provide you with the best service and solution. Let us make a better world for our industry!



Contact us

Tel: +86-755-8981 8866 Fax: +86-755-8427 6832

Email & Skype: info@chipsmall.com Web: www.chipsmall.com

Address: A1208, Overseas Decoration Building, #122 Zhenhua RD., Futian, Shenzhen, China



Product Overview

The 7006 BuckBullet™ AC Driver is a constant current device that allows operation of LEDs from low-voltage AC power (8-24VAC). Its moisture-resistant design allows for outdoor use with landscape lighting systems. High-speed electronics allow it to be used with either magnetic transformers or 12VAC electronic transformers commonly found in accent lighting systems.



7006 BuckBullet™ LED Driver Module powering (3) Endor Star LEDs in series ($V_{IN} \geq 12VAC$)

Features

- AC input voltage up to 24VAC RMS
- True constant current output 350mA, 500mA or 700mA*
- Extremely small form factor* (0.5" d x 2" l)
- Output open and short circuit protection
- Not affected by voltage drops on long wire runs



Figure 1.
Wiring Connections

Typical Applications

- Landscape & Garden Lighting
- Architectural Lighting
- Signal & Marker Lighting
- General Illumination Lighting
- Sign Lighting

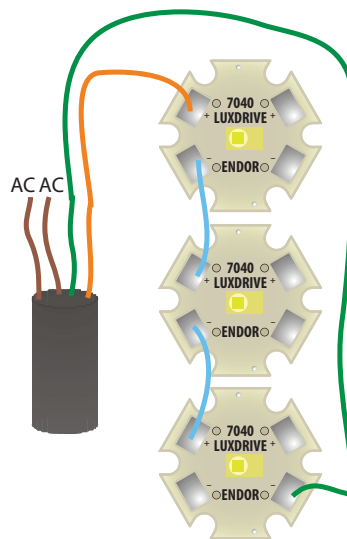


Figure 2.
BuckBullet™ powering (3) Endor Stars in series ($V_{IN} \geq 12VAC$)



* - Units can be customized for OEM applications - Contact LuxDrive for more information.

Part Number Identification Table

Part Number	AC Input	Output Current
7006-H-350	8-24V	350mA
7006-H-500	8-24V	500mA
7006-H-700	8-24V	700mA

Table 1
Product Selection

Cautions:

Input Voltage, maximum. 24VAC RMS, 34VAC Peak
Do NOT connect LED+ or LED- to either V_{IN} or Case Ground
Do NOT operate above rated temperature

Typical Characteristics

Output current tolerance ±10%
Efficiency Up to 95%
Input Voltage Minimum 8VAC
Input Margin (VAC Input - V_{LEDs}) 3VAC
Ripple Current (3 LEDs, 12VAC). 15%

Specifications

Output current, 7006-H-350. 350mA
Output current, 7006-H-500 500mA
Output current, 7006-H-700 700mA
Operating temperature. -40-+60°C
Storage temperature -40-+125°C

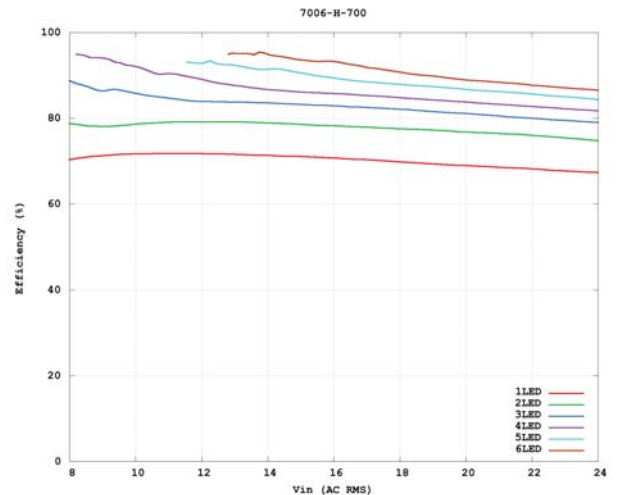
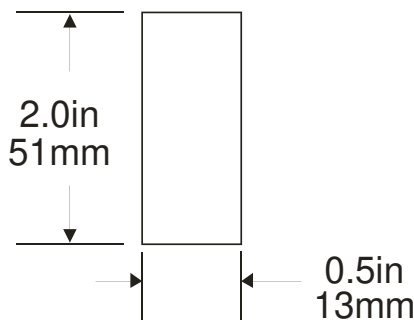


Figure 3.
Efficiency vs. V_{IN}

Physical Dimensions



6" - 18AWG Colored Leads

