



Chipsmall Limited consists of a professional team with an average of over 10 year of expertise in the distribution of electronic components. Based in Hongkong, we have already established firm and mutual-benefit business relationships with customers from,Europe,America and south Asia,supplying obsolete and hard-to-find components to meet their specific needs.

With the principle of “Quality Parts,Customers Priority,Honest Operation,and Considerate Service”,our business mainly focus on the distribution of electronic components. Line cards we deal with include Microchip,ALPS,ROHM,Xilinx,Pulse,ON,Everlight and Freescale. Main products comprise IC,Modules,Potentiometer,IC Socket,Relay,Connector.Our parts cover such applications as commercial,industrial, and automotives areas.

We are looking forward to setting up business relationship with you and hope to provide you with the best service and solution. Let us make a better world for our industry!



## Contact us

Tel: +86-755-8981 8866 Fax: +86-755-8427 6832

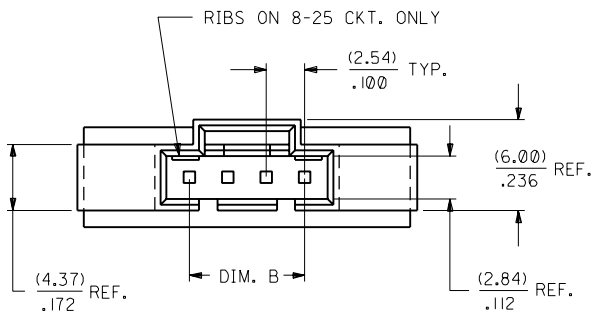
Email & Skype: info@chipsmall.com Web: www.chipsmall.com

Address: A1208, Overseas Decoration Building, #122 Zhenhua RD., Futian, Shenzhen, China

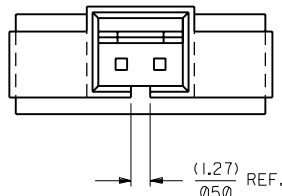


NOTES:

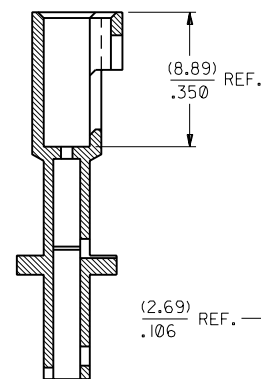
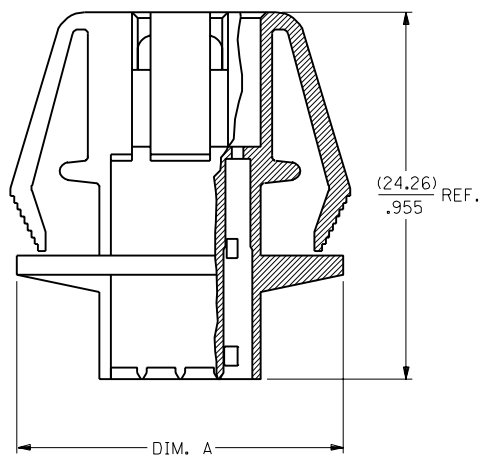
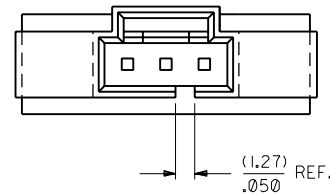
- 1) MATERIAL: POLYESTER, 94V-0  
COLOR: BLACK
- 2) HOUSING TO BE USED WITH TERMINAL  
PT. NO. 70021-\*\*\*\*
- 3) SEE CHART FOR CIRCUIT SIZES
- 4) TO BE USED WITH 70400 SERIES  
CONNECTORS (STYLE "G")
- 5) PANEL THICKNESS (0.81)/.032 - (2.36)/.093
- 6) SEE SHEET 3 FOR MOUNTING HOLE DIMENSIONS.
- 7) SEE SHEET 2 FOR OPTIONAL SKIRT AND  
SHROUD CONFIGURATIONS
- 8) PACKAGE PER PK-70107-100.



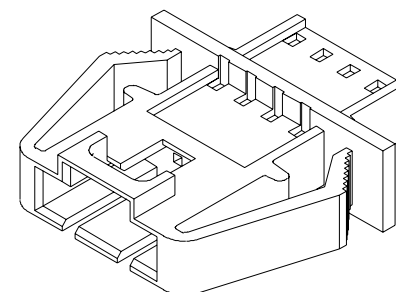
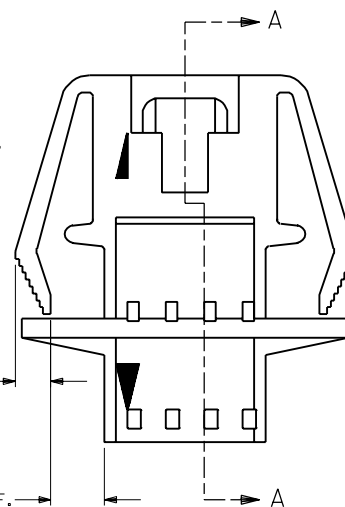
2 CIRCUIT



3 CIRCUIT



SECTION A-A (3.64) REF. / .144



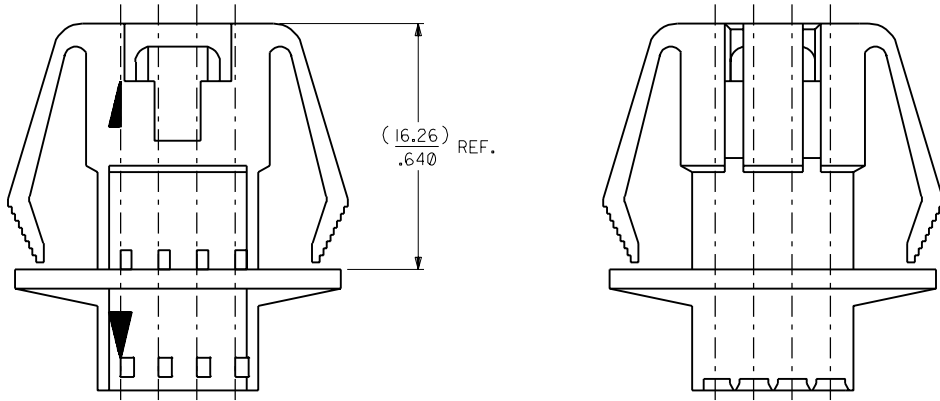
CKT. SIZE	EDP. NO.	ENG. NO.	A	B
2	701-07-0036	70107-0036	(16.51) .650	(2.54) .100
3	701-07-0037	70107-0037	(19.05) .750	(5.08) .200
4	701-07-0038	70107-0038	(21.59) .850	(7.62) .300
5	701-07-0039	70107-0039	(24.13) .950	(10.16) .400
6	701-07-0040	70107-0040	(26.67) 1.050	(12.70) .500
7	701-07-0041	70107-0041	(29.21) 1.150	(15.24) .600
8	701-07-0042	70107-0042	(31.75) 1.250	(17.78) .700
9	701-07-0043	70107-0043	(34.29) 1.350	(20.32) .800
10	701-07-0044	70107-0044	(36.83) 1.450	(22.86) .900
11	701-07-0045	70107-0045	(39.37) 1.550	(25.40) 1.000
12	701-07-0046	70107-0046	(41.91) 1.650	(27.94) 1.100
13	701-07-0047	70107-0047	(44.45) 1.750	(30.48) 1.200
14	701-07-0048	70107-0048	(46.99) 1.850	(33.02) 1.300
15	701-07-0049	70107-0049	(49.53) 1.950	(35.56) 1.400
16	701-07-0050	70107-0050	(52.07) 2.050	(38.10) 1.500
17	701-07-0051	70107-0051	(54.61) 2.150	(40.64) 1.600
18	701-07-0052	70107-0052	(57.15) 2.250	(43.18) 1.700
19	701-07-0053	70107-0053	(59.69) 2.350	(45.72) 1.800
20	701-07-0054	70107-0054	(62.23) 2.450	(48.26) 1.900
21	701-07-0055	70107-0055	(64.77) 2.550	(50.80) 2.000
22	701-07-0056	70107-0056	(67.31) 2.650	(53.34) 2.100
23	701-07-0057	70107-0057	(69.85) 2.750	(55.88) 2.200
24	701-07-0058	70107-0058	(72.39) 2.850	(58.42) 2.300
25	701-07-0059	70107-0059	(74.93) 2.950	(60.96) 2.400

3	G
2	J
1	J
MFG. SH. REV.	

DIMENSIONS SHOWN (METRIC) INCH UNLESS OTHERWISE SPECIFIED TOLERANCES: ANGULAR ± 1/2°		□ = 0    ▽ = 0    REVISE ONLY ON CAD SYSTEM	
5 PLACE ± .010    --- 2 PLACE ± .014 ± 0.25 1 PLACE --- ± 0.35		TITLE HOUSING, CONNECTOR (2.54)/.100 GRID	
DRAFT WHERE APPLICABLE MUST REMAIN WITHIN DIMENSIONS		MOLEX INCORPORATED    SHEET NO.    DATE LISLE, ILL.    60532    U.S.A.    1 OF 3    7 / 4/86	
DRWG. NO. SD-70107-0036-0059		FILE NAME    DIV. S70107X02    MOLEX INC. AND SHOULD NOT BE USED WITHOUT WRITTEN PERMISSION.    DA    C	
DRWG. BY: RS    CHK'D. BY: MJM APP'D. BY: WAZ    SCALE: 4:1		LTR.    REVISIONS    LTR.    REVISIONS	

70107

13 12 11 10 9 8 7 6 70107 4 3 2 1



OPTIONAL CONFIGURATIONS FOR INTERNATIONAL MOLD

70107

MFG. SH. REV.

DIMENSIONS SHOWN (METRIC) INCH  
UNLESS OTHERWISE SPECIFIED  
TOLERANCES: ANGULAR ± 1/2°

	INCH	METRIC
3 PLACE	± .010	---
2 PLACE	± .014	± 0.25
1 PLACE	---	± 0.35

DRAFT WHERE APPLICABLE MUST  
REMAIN WITHIN DIMENSIONS

DRWG. BY: RS    CHK'D. BY: MJM  
APP'D. BY: WAZ    SCALE: 4:1

REVISIONS ONLY ON CAD SYSTEM

TITLE: HOUSING, CONNECTOR (2.54)/.100 GRID

MOLEX INCORPORATED U.S.A. SHEET NO. 2 DATE 7 / 4 / 86  
L15LE.I1.LL. 60532

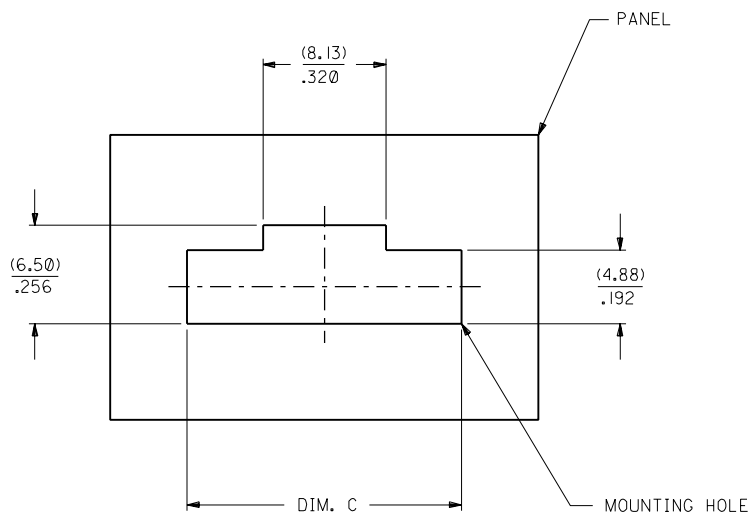
PART NO. SD-70107-0036-0059

FILE NAME: S70107X06.DGN  
THIS DRAWING CONTAINS INFORMATION THAT IS PROPRIETARY TO MOLEX INC. AND SHOULD NOT BE USED WITHOUT WRITTEN PERMISSION.

DIV. DA    SIZE C

		G	SEE SHEET I
LTR.	REVISIONS	LTR.	REVISIONS

13 12 11 10 9 8 7 6 5 4 3 2 1



RECOMMENDED MOUNTING HOLE LAYOUT

CKT. SIZE	EDP. NO.	ENG. NO.	C
2	701-07-0036	70107-0036	(13.08) .515
3	701-07-0037	70107-0037	(15.62) .615
4	701-07-0038	70107-0038	(18.61) .715
5	701-07-0039	70107-0039	(20.70) .815
6	701-07-0040	70107-0040	(23.24) .915
7	701-07-0041	70107-0041	(25.78) 1.015
8	701-07-0042	70107-0042	(28.32) 1.115
9	701-07-0043	70107-0043	(30.86) 1.215
10	701-07-0044	70107-0044	(33.40) 1.315
11	701-07-0045	70107-0045	(35.94) 1.415
12	701-07-0046	70107-0046	(38.48) 1.515
13	701-07-0047	70107-0047	(41.02) 1.615
14	701-07-0048	70107-0048	(43.56) 1.715
15	701-07-0049	70107-0049	(46.10) 1.815
16	701-07-0050	70107-0050	(48.64) 1.915
17	701-07-0051	70107-0051	(51.18) 2.015
18	701-07-0052	70107-0052	(53.72) 2.115
19	701-07-0053	70107-0053	(56.26) 2.215
20	701-07-0054	70107-0054	(58.80) 2.315
21	701-07-0055	70107-0055	(61.34) 2.415
22	701-07-0056	70107-0056	(63.88) 2.515
23	701-07-0057	70107-0057	(66.42) 2.615
24	701-07-0058	70107-0058	(68.96) 2.715
25	701-07-0059	70107-0059	(71.50) 2.815

70107

MFG. SH. REV.

REVISE ONLY ON CAD SYSTEM

TITLE: HOUSING, CONNECTOR (2.54)/.100 GRID

MOLEX INCORPORATED SHEET NO. 3 DATE 7 / 5 / 86  
LISLE, ILL. 60532 U.S.A.

PART NO. SD-70107-0036-0059

FILE NAME: S70107X03.DWG DIV. 15 SIZE DA 1 C

THIS DRAWING CONTAINS INFORMATION THAT IS PROPRIETARY TO MOLEX INC. AND SHOULD NOT BE USED WITHOUT WRITTEN PERMISSION.

DIMENSIONS SHOWN (METRIC) INCH  
UNLESS OTHERWISE SPECIFIED TOLERANCES: ANGULAR ± 1/2°

INCH		METRIC	
3 PLACE	± .005	---	---
2 PLACE	± .01	± 0.13	---
1 PLACE	---	± 0.25	---

DRAFT WHERE APPLICABLE MUST REMAIN WITHIN DIMENSIONS

DRWG. BY: RS CHK'D. BY: MJM  
APP'D. BY: WAZ SCALE: 4:1

LTR.	REVISIONS	LTR.	REVISIONS
		G	SEE SHEET 1