



Chipsmall Limited consists of a professional team with an average of over 10 year of expertise in the distribution of electronic components. Based in Hongkong, we have already established firm and mutual-benefit business relationships with customers from,Europe,America and south Asia,supplying obsolete and hard-to-find components to meet their specific needs.

With the principle of "Quality Parts,Customers Priority,Honest Operation,and Considerate Service",our business mainly focus on the distribution of electronic components. Line cards we deal with include Microchip,ALPS,ROHM,Xilinx,Pulse,ON,Everlight and Freescale. Main products comprise IC,Modules,Potentiometer,IC Socket,Relay,Connector.Our parts cover such applications as commercial,industrial, and automotives areas.

We are looking forward to setting up business relationship with you and hope to provide you with the best service and solution. Let us make a better world for our industry!



Contact us

Tel: +86-755-8981 8866 Fax: +86-755-8427 6832

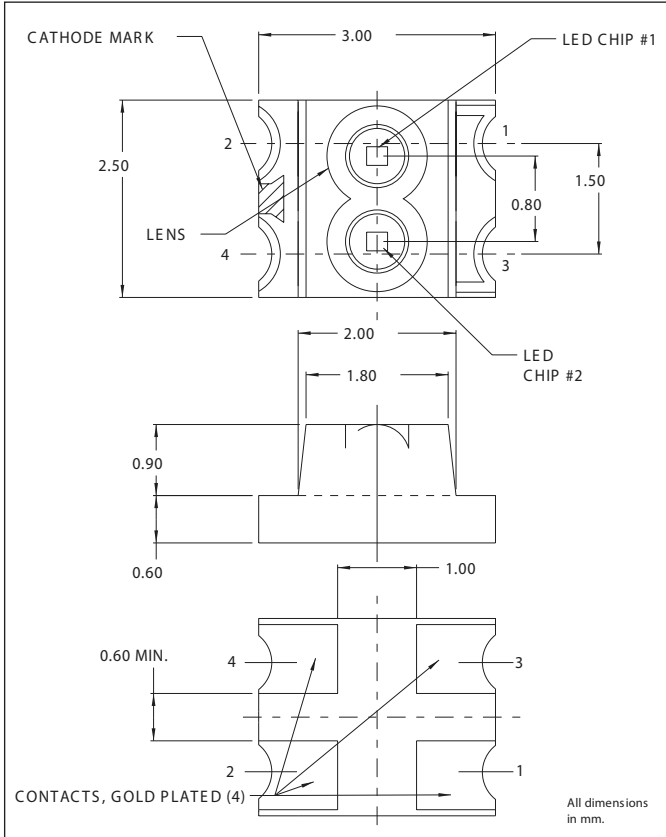
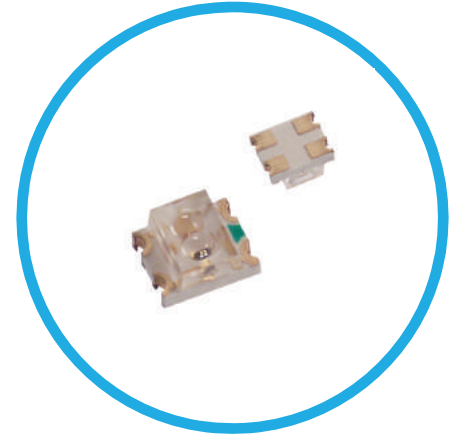
Email & Skype: info@chipsmall.com Web: www.chipsmall.com

Address: A1208, Overseas Decoration Building, #122 Zhenhua RD., Futian, Shenzhen, China





7011X Series Bicolor SMT LEDs



Surface Mount Technology

- Tape and reel packaged for high-speed autoinsertion.
- Convection and vapor-phase reflow compatible.
- Compact form enables high density placement.
- Packaged 2500 per reel.

Leading Edge LED Optoelectronic Performance

- Consistent high brightness.

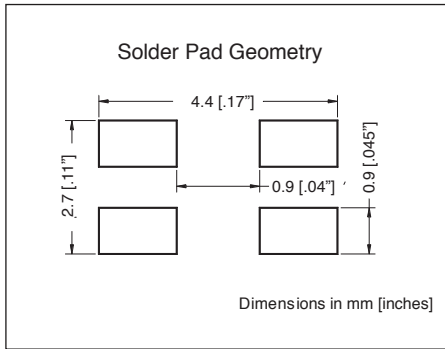
Exceptional Reliability

- Stringent process controls assure quality.
- Extensive qualification testing to meet strictest requirements.
- Designed to permit easy post-reflow solder joint inspection.

Electro-Optical Characteristics and Ratings

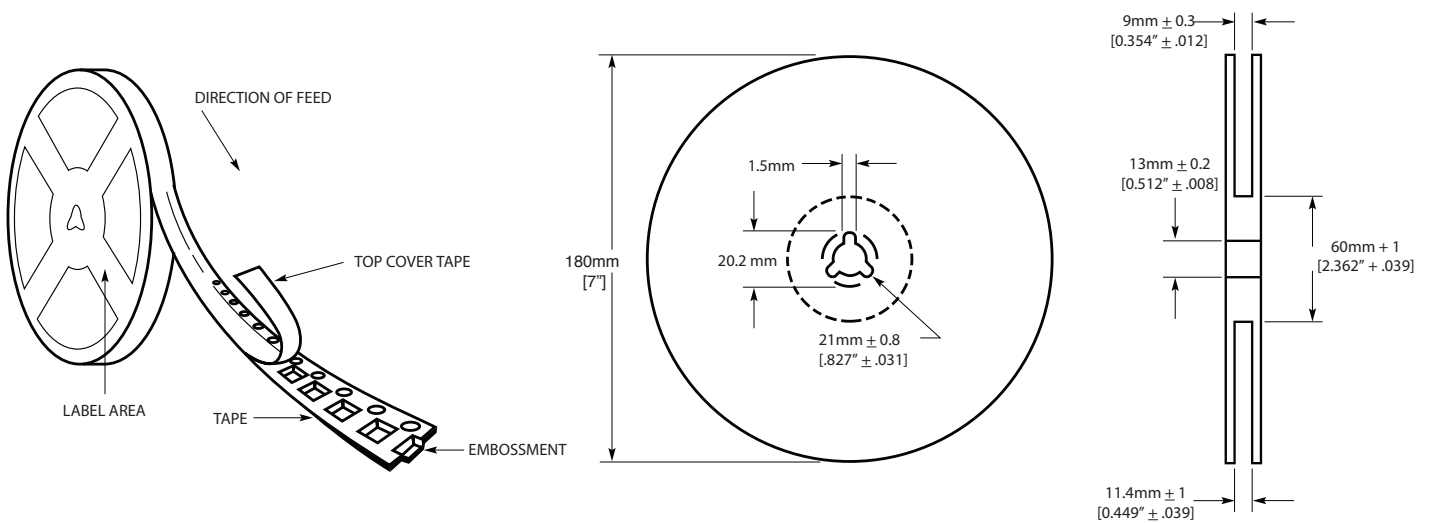
PART NUMBER	7011X1/5
Output Color	Red/Green
Diffused/Non-Diffused	Non-Diffused
Package Color	Clear
Power Dissipation (mW)	60/75
Peak Forward Current Max. (mA)	70
Reverse Voltage (IR=100µA) (V)	4
Operating temperature (°C)	-30 to +85
Storage Temperature (°C)	-30 to +90
Forward Voltage Typ. (IF=20mA)	1.7/2.1
Forward Voltage Max. (IF=20mA)	2.0/2.5
Continuous Forward Current Max. (mA)	30
Luminous Intensity Min. (IF=20mA)	6.0/3.0
Luminous Intensity Max. (IF=20mA)	17.0/7.5
Peak Wavelength (IF=20mA)	660/560
Viewing Angle (degrees)	100
Rated Current (mA)	20
Reverse Current Max. (VR=4V)	100

Ordering Data



Direction of Feed

Reel Dimensions



Compliances and Approvals

